

Part No.	Reference No.	Quantity	Description
4MXWUP1_4MXWUP1_270571~ P	*		4MXWUP1 PARTS LIST
75010572#4MXWUP1~S	*		GENERAL ASSEMBLY 3.0 TON INDOOR
75009848#4MXWUP1~S	*		INDOOR 4MXW MODEL NOMENCLATURE
75009915#4MXWUP1~S	*		INDOOR ACCESSORIES
75009913#4MXWUP1~S	*		INDOOR LINESETS - ACCESSORIES

NO GRAPHIC AVAILABLE

75013702

REV
A

**NO
GRAPHIC
AVAILABLE**

MODEL NOMENCLATURE

75009848

REV
A

Indoor Unit – Inverter High Wall Systems

Model Number Example
4 M X W 6 5 1 2 A 1 0 N 0 B A
1 2 3 4 5 6 7 8 9 10 11 12 13 14 15

Digit 1 = Refrigerant
4 = R-410a

Digit 2 = Brand Name
M = Mini-Split High Wall Unit

Digit 3 = Functional Type
X = Heat Pump
Y = Cooling Only Inverter

Digit 4 = Configuration Indoor Unit
W = High Wall Unit

Digit 5 = Efficiency Tier
6 = 16+ SEER
8 = 18+ SEER

Digit 6 = Connection Type
5 = Flare

Digit 7,8 = Nominal Capacity
(Btu/h x 1,000)

09 = 9,000 Btu/h
12 = 12,000 Btu/h
18 = 18,000 Btu/h
24 = 24,000 Btu/h
30 = 30,000 Btu/h
36 = 36,000 Btu/h

Digit 9 = Major Development Sequence
A = First Development Sequence

Digit 10 = Electric Power Supply Characteristics
1 = 208-230/60/1

Digit 11 = Reserved for Future Use
0 = Not Currently Used

Digit 12 = Regional Markets Served
N = North America Market

Digit 13 = Reserved for Future Use
0 = Not Currently Used

Digit 14 = Minor Design Sequence
A = First Design Sequence
B = Second Design Sequence

Digit 15 = Service Digit
A = First Sequence

Parts List Number :4MXWUP1#4MXWUP1

Model Number :4MXW8536A10NOCA

Part No.	Reference No.	Quantity	Description
75009848_4MXWUP1_270572~P	*		INDOOR 4MXW MODEL NOMENCLATURE PARTS LIST

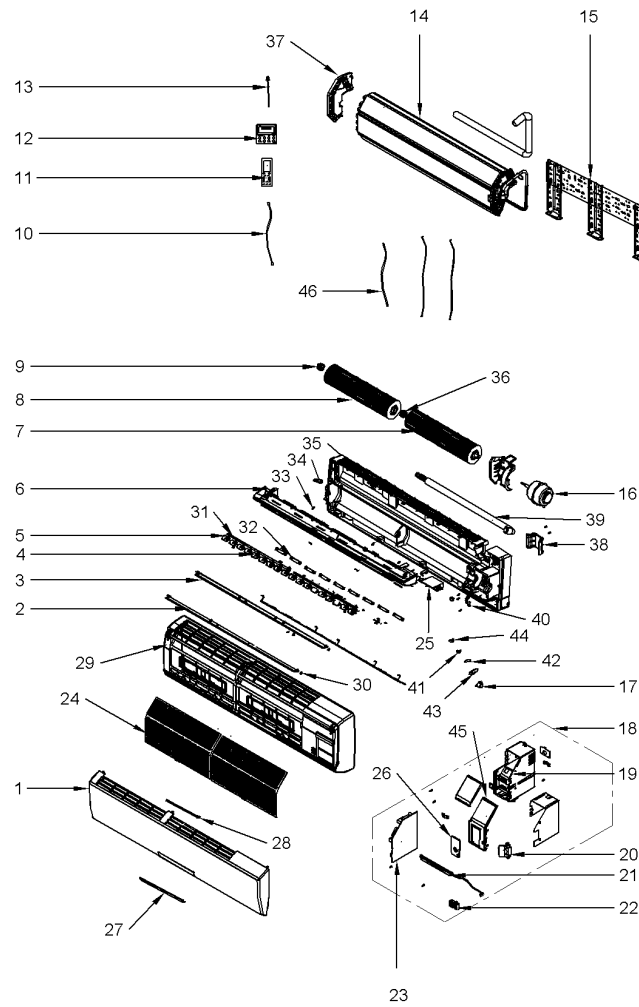
<p>MODEL NOMENCLATURE</p> <p>Indoor Unit – Inverter High Wall Systems</p>	<p>75009848</p>	<table border="1" style="margin: auto; border-collapse: collapse;"> <tr> <td style="padding: 2px;">REV</td> </tr> <tr> <td style="padding: 2px;">A</td> </tr> </table>	REV	A
REV				
A				
<p>Model Number Example</p> <p>4 M X W 6 5 1 2 A 1 0 N 0 B A</p> <p>1 2 3 4 5 6 7 8 9 10 11 12 13 14 15</p>				
<table style="width: 100%; border: none;"> <tr> <td style="width: 50%; vertical-align: top; padding-right: 20px;"> <p>Digit 1 = Refrigerant 4 = R-410a</p> <p>Digit 2 = Brand Name M = Mini-Split High Wall Unit</p> <p>Digit 3 = Functional Type X = Heat Pump Y = Cooling Only Inverter</p> <p>Digit 4 = Configuration Indoor Unit W = High Wall Unit</p> <p>Digit 5 = Efficiency Tier 6 = 16+ SEER 8 = 18+ SEER</p> <p>Digit 6 = Connection Type 5 = Flare</p> <p>Digit 7,8 = Nominal Capacity (Btu/h x 1,000)</p> <p>09 = 9,000 Btu/h 12 = 12,000 Btu/h 18 = 18,000 Btu/h 24 = 24,000 Btu/h 30 = 30,000 Btu/h 36 = 36,000 Btu/h</p> </td> <td style="width: 50%; vertical-align: top;"> <p>Digit 9 = Major Development Sequence A = First Development Sequence</p> <p>Digit 10 = Electric Power Supply Characteristics 1 = 208-230/60/1</p> <p>Digit 11 = Reserved for Future Use 0 = Not Currently Used</p> <p>Digit 12 = Regional Markets Served N = North America Market</p> <p>Digit 13 = Reserved for Future Use 0 = Not Currently Used</p> <p>Digit 14 = Minor Design Sequence A = First Design Sequence B = Second Design Sequence</p> <p>Digit 15 = Service Digit A = First Sequence</p> </td> </tr> </table>			<p>Digit 1 = Refrigerant 4 = R-410a</p> <p>Digit 2 = Brand Name M = Mini-Split High Wall Unit</p> <p>Digit 3 = Functional Type X = Heat Pump Y = Cooling Only Inverter</p> <p>Digit 4 = Configuration Indoor Unit W = High Wall Unit</p> <p>Digit 5 = Efficiency Tier 6 = 16+ SEER 8 = 18+ SEER</p> <p>Digit 6 = Connection Type 5 = Flare</p> <p>Digit 7,8 = Nominal Capacity (Btu/h x 1,000)</p> <p>09 = 9,000 Btu/h 12 = 12,000 Btu/h 18 = 18,000 Btu/h 24 = 24,000 Btu/h 30 = 30,000 Btu/h 36 = 36,000 Btu/h</p>	<p>Digit 9 = Major Development Sequence A = First Development Sequence</p> <p>Digit 10 = Electric Power Supply Characteristics 1 = 208-230/60/1</p> <p>Digit 11 = Reserved for Future Use 0 = Not Currently Used</p> <p>Digit 12 = Regional Markets Served N = North America Market</p> <p>Digit 13 = Reserved for Future Use 0 = Not Currently Used</p> <p>Digit 14 = Minor Design Sequence A = First Design Sequence B = Second Design Sequence</p> <p>Digit 15 = Service Digit A = First Sequence</p>
<p>Digit 1 = Refrigerant 4 = R-410a</p> <p>Digit 2 = Brand Name M = Mini-Split High Wall Unit</p> <p>Digit 3 = Functional Type X = Heat Pump Y = Cooling Only Inverter</p> <p>Digit 4 = Configuration Indoor Unit W = High Wall Unit</p> <p>Digit 5 = Efficiency Tier 6 = 16+ SEER 8 = 18+ SEER</p> <p>Digit 6 = Connection Type 5 = Flare</p> <p>Digit 7,8 = Nominal Capacity (Btu/h x 1,000)</p> <p>09 = 9,000 Btu/h 12 = 12,000 Btu/h 18 = 18,000 Btu/h 24 = 24,000 Btu/h 30 = 30,000 Btu/h 36 = 36,000 Btu/h</p>	<p>Digit 9 = Major Development Sequence A = First Development Sequence</p> <p>Digit 10 = Electric Power Supply Characteristics 1 = 208-230/60/1</p> <p>Digit 11 = Reserved for Future Use 0 = Not Currently Used</p> <p>Digit 12 = Regional Markets Served N = North America Market</p> <p>Digit 13 = Reserved for Future Use 0 = Not Currently Used</p> <p>Digit 14 = Minor Design Sequence A = First Design Sequence B = Second Design Sequence</p> <p>Digit 15 = Service Digit A = First Sequence</p>			

GENERAL ASSEMBLY

75010572

REV
B

3.0 TON
TYPICAL ILLUSTRATION



All orderable Service Parts are identified for this product.
Parts that are not identified, will not be available to order.
This is a typical illustration. The unit in the field may not appear exactly as shown.

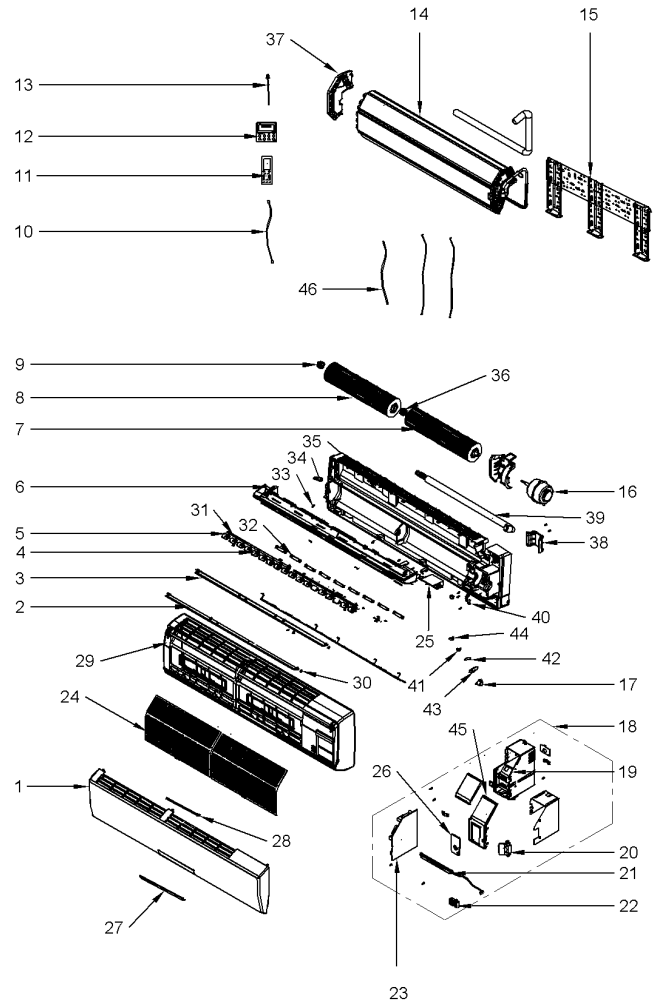
Part No.	Reference No.	Quantity	Description
75010572_4MXWUP1_425878~P	*		GENERAL ASSEMBLY 3.0 TON INDOOR PARTS LIST

GENERAL ASSEMBLY

75010572

REV
B

3.0 TON
TYPICAL ILLUSTRATION



All orderable Service Parts are identified for this product.
Parts that are not identified, will not be available to order.
This is a typical illustration. The unit in the field may not appear exactly as shown.

Part No.	Reference No.	Quantity	Description
HLD00594	*	1	HOLDER; REMOTE CONTROL
PNL31693	1	1	PANEL; FRONT
LVR01127	2	1	LOUVER; UPPER GUIDE
LVR01128	3	1	LOUVER; LOWER GUIDE
LVR01130	4	1	LOUVER; AIR LOUVER 2
LVR01129	5	16	LOUVER; AIR LOUVER 1
PAN03321	6	1	PAN; WATER TRAY
FAN04754	7	1	FAN; CROSS FLOW FAN 1
FAN04755	8	1	FAN; CROSS FLOW FAN 2
GKT04242	9	1	GASKET; O-GASKET SUB-ASSY OF BEARING(76512051)
SEN02280	10	1	SENSOR; TEMPERATURE
BRD06015	12	1	BOARD; DISPLAY
SEN01816	13	1	SENSOR; AMBIENT TEMPERATURE SENSOR(390000453)
COL25171	14	1	COIL; EVAPORATOR ASSY, INDOOR
FRM02097	15	1	FRAME; WALL MOUNTING
MOT16744	16	1	MOTOR; FAN
MOT13898	17	1	MOTOR; STEP MOTOR(1521210701)
CNT07252	18	1	BOX; ELECTRIC ASSY
BOX02638	19	1	BOX; ELECTRIC
BRD04355	21	1	BOARD; DISPLAY
BRD02648	22	1	BOARD; TERMINAL,
BRD05112	23	1	BOARD; MAIN
FLR08295	24	2	FILTER; SUB ASSY
PLT06146	25	1	PLATE; COVER
COV05256	26	1	COVER; ELECTRIC BOX
GLS01106	27	1	GLASS; RECEIVER WINDOW
STR01735	28	1	STRIP; STAND BAR
PNL34458	29	1	PANEL; FRONT CASE, SUB-ASSY
BUS02179	30	6	BUSHING; AXILE
ROD01448	31	2	ROD; CONNECTING
CMP01543	32	9	CLAMP; LOUVER
COV05362	33	4	COVER; SCREW
PLU01245	34	1	PLUG; DRAIN PAN
PAN04041	35	1	PAN; REAR CASE ASSY
HLD00701	36	1	HOLDER; BEARING, SUB-ASSY
SUP05895	37	1	SUPPORT; LEFT EVAPORATOR
CMP01544	38	1	CLAMP; PIPE
HSE01943	39	1	HOSE; DRAINAGE
RTR00978	40	1	RETAINER; MOTOR FIXED CLIP 1
TOL04894	41	1	TOOL; UPPER CRANK
LEV00434	42	1	LEVER; CRANK-GUIDE
TOL04893	43	1	TOOL; PRESS PLATE CRANK
TOL04895	44	1	TOOL; LOWER CRANK
COV05257	45	1	COVER; ELECTRIC BOX
WIR07520	46	1	WIRE; HARNESS, DUCTLESS WALL-MOUNT CONTROLLER

ACCESSORIES INDOOR UNITS

75009915

REV
B

* NOT ILLUSTRATED



All orderable Service Parts are identified for this product.
Parts that are not identified, will not be available to order.
This is a typical illustration. The unit in the field may not appear exactly as shown.

Parts List Number :4MXWUP1#4MXWUP1

Model Number :4MXW8536A10NOCA

Part No.	Reference No.	Quantity	Description
75009915_4MXWUP1_425877~P	*		INDOOR ACCESSORIES PARTS LIST

ACCESSORIES INDOOR UNITS

75009915

REV
B

* NOT ILLUSTRATED



All orderable Service Parts are identified for this product.
Parts that are not identified, will not be available to order.
This is a typical illustration. The unit in the field may not appear exactly as shown.

Part No.	Reference No.	Quantity	Description
PMP01703	1	1	PUMP; MINI ORANGE CONDENSATE PUMP FOR MINI-SPLIT A/C SYSTEMS, 230V
PMP01705	2	1	PUMP; MINI LIME CONDENSATE PUMP FOR MINI-SPLIT A/C SYSTEMS, 230V
PMP01806	3	1	PUMP; MINI WHITE CONDENSATE PUMP FOR MINI-SPLIT A/C SYSTEMS, 230V
PMP01920	4	1	PUMP; MINI AQUA PUMP KIT 230V
PMP01914	5	1	PUMP; MAXI-LIME SLIM DUCT PUMP KIT; 230V WITH DUCT
AREMOTE2AHANDAA	6	1	REMOTE CONTROLLER -AMERICAN STANDARD BRAND
CNT07220	6	1	CONTROL; CONTROLLER WIRE ACCESSORY
TREMOTE2AHANDAA	6	1	REMOTE CONTROLLER -TRANE BRAND
FLR07581	7	1	FILTER; REPLACEMENT FILTER MEDIA; 2-PACK MEDIA, 1 CARBON MEDIA FILTER AND 1 CATECHIN MEDIA FILTER; FOR RESIDENTIAL SYSTEMS MODEL 4MXW8536A10NOBA
WIR07893	8	1	WIRE; SIGNAL WIRE

		Linesets for RS Multi-Split Launch			75009913
		Size and Length	Used for	Models (Trane Indoor Unit P/Ns)	
1	KIT16423	¼ x 3/8 - 25'	18 SEER 9MBh & 12 MBh	4MXW8509A10N0BA 4MXW8509A10N0CA	4MXW8512A10N0BA 4MXW8512A10N0CA
2	KIT16424	¼ x 3/8 - 35'	18 SEER 9MBh & 12 MBh	4MXW8509A10N0BA 4MXW8509A10N0CA	4MXW8512A10N0BA 4MXW8512A10N0CA
3	KIT15228	¼ x 3/8 - 50'	18 SEER 9MBh & 12 MBh	4MXW8509A10N0BA 4MXW8509A10N0CA	4MXW8512A10N0BA 4MXW8512A10N0CA
4	KIT16425	¼ x ½ - 25'	18 SEER 18MBh	4MXW8518A10N0BA 4MXW8518A10N0CA	
5	KIT16426	¼ x ½ - 35'	18 SEER 18MBh	4MXW8518A10N0BA 4MXW8518A10N0CA	
6	KIT15229	¼ x ½ - 50'	18 SEER 18MBh	4MXW8518A10N0BA 4MXW8518A10N0CA	

Parts List Number :4MXWUP1#4MXWUP1

Model Number :4MXW8536A10NOCA

Part No.	Reference No.	Quantity	Description
75009913_4MXWUP1_270573~P	*		INDOOR LINESETS - ACCESSORIES PARTS LIST

		Linesets for RS Multi-Split Launch			75009913
		Size and Length	Used for	Models (Trane Indoor Unit P/Ns)	
1	KIT16423	¼ x 3/8 - 25'	18 SEER 9MBh & 12 MBh	4MXW8509A10N0BA 4MXW8509A10N0CA	4MXW8512A10N0BA 4MXW8512A10N0CA
2	KIT16424	¼ x 3/8 - 35'	18 SEER 9MBh & 12 MBh	4MXW8509A10N0BA 4MXW8509A10N0CA	4MXW8512A10N0BA 4MXW8512A10N0CA
3	KIT15228	¼ x 3/8 - 50'	18 SEER 9MBh & 12 MBh	4MXW8509A10N0BA 4MXW8509A10N0CA	4MXW8512A10N0BA 4MXW8512A10N0CA
4	KIT16425	¼ x ½ - 25'	18 SEER 18MBh	4MXW8518A10N0BA 4MXW8518A10N0CA	
5	KIT16426	¼ x ½ - 35'	18 SEER 18MBh	4MXW8518A10N0BA 4MXW8518A10N0CA	
6	KIT15229	¼ x ½ - 50'	18 SEER 18MBh	4MXW8518A10N0BA 4MXW8518A10N0CA	

Parts List Number :4MXWUP1#4MXWUP1

Model Number :4MXW8536A10NOCA