

Part No.	Reference No.	Quantity	Description
75009915#MXWUP5~S	*		ACCESSORIES
75009917#MXWUP5~S	*		GENERAL ASSEMBLY
75009913#MXWUP5~S	*		LINESETS ACCESSORIES
75009848#MXWUP5~S	*		MODEL NOMENCLATURE
MXWUP5_MXWUP5_201433~P	*		MXWUP5 PARTS LIST

NO GRAPHIC AVAILABLE

75013702

REV
A

**NO
GRAPHIC
AVAILABLE**

MODEL NOMENCLATURE

75009848

REV
A

Indoor Unit – Inverter High Wall Systems

Model Number Example

4 M X W 6 5 1 2 A 1 0 N 0 B A
1 2 3 4 5 6 7 8 9 10 11 12 13 14 15

Digit 1 = Refrigerant
4 = R-410a

Digit 2 = Brand Name
M = Mini-Split High Wall Unit

Digit 3 = Functional Type
X = Heat Pump
Y = Cooling Only Inverter

Digit 4 = Configuration Indoor Unit
W = High Wall Unit

Digit 5 = Efficiency Tier
6 = 16+ SEER
8 = 18+ SEER

Digit 6 = Connection Type
5 = Flare

Digit 7,8 = Nominal Capacity
(Btu/h x 1,000)

09 = 9,000 Btu/h
12 = 12,000 Btu/h
18 = 18,000 Btu/h
24 = 24,000 Btu/h
30 = 30,000 Btu/h
36 = 36,000 Btu/h

Digit 9 = Major Development Sequence
A = First Development Sequence

Digit 10 = Electric Power Supply Characteristics
1 = 208-230/60/1

Digit 11 = Reserved for Future Use
0 = Not Currently Used

Digit 12 = Regional Markets Served
N = North America Market

Digit 13 = Reserved for Future Use
0 = Not Currently Used

Digit 14 = Minor Design Sequence
A = First Design Sequence
B = Second Design Sequence

Digit 15 = Service Digit
A = First Sequence

Part No.	Reference No.	Quantity	Description
75009848_MXWUP5_201434~P	*		MODEL NOMENCLATURE PARTS LIST

MODEL NOMENCLATURE

75009848

REV
A

Indoor Unit – Inverter High Wall Systems

Model Number Example
4 M X W 6 5 1 2 A 1 0 N 0 B A
1 2 3 4 5 6 7 8 9 10 11 12 13 14 15

Digit 1 = Refrigerant
4 = R-410a

Digit 2 = Brand Name
M = Mini-Split High Wall Unit

Digit 3 = Functional Type
X = Heat Pump
Y = Cooling Only Inverter

Digit 4 = Configuration Indoor Unit
W = High Wall Unit

Digit 5 = Efficiency Tier
6 = 16+ SEER
8 = 18+ SEER

Digit 6 = Connection Type
5 = Flare

Digit 7,8 = Nominal Capacity
(Btu/h x 1,000)

09 = 9,000 Btu/h
12 = 12,000 Btu/h
18 = 18,000 Btu/h
24 = 24,000 Btu/h
30 = 30,000 Btu/h
36 = 36,000 Btu/h

Digit 9 = Major Development Sequence
A = First Development Sequence

Digit 10 = Electric Power Supply Characteristics
1 = 208-230/60/1

Digit 11 = Reserved for Future Use
0 = Not Currently Used

Digit 12 = Regional Markets Served
N = North America Market

Digit 13 = Reserved for Future Use
0 = Not Currently Used

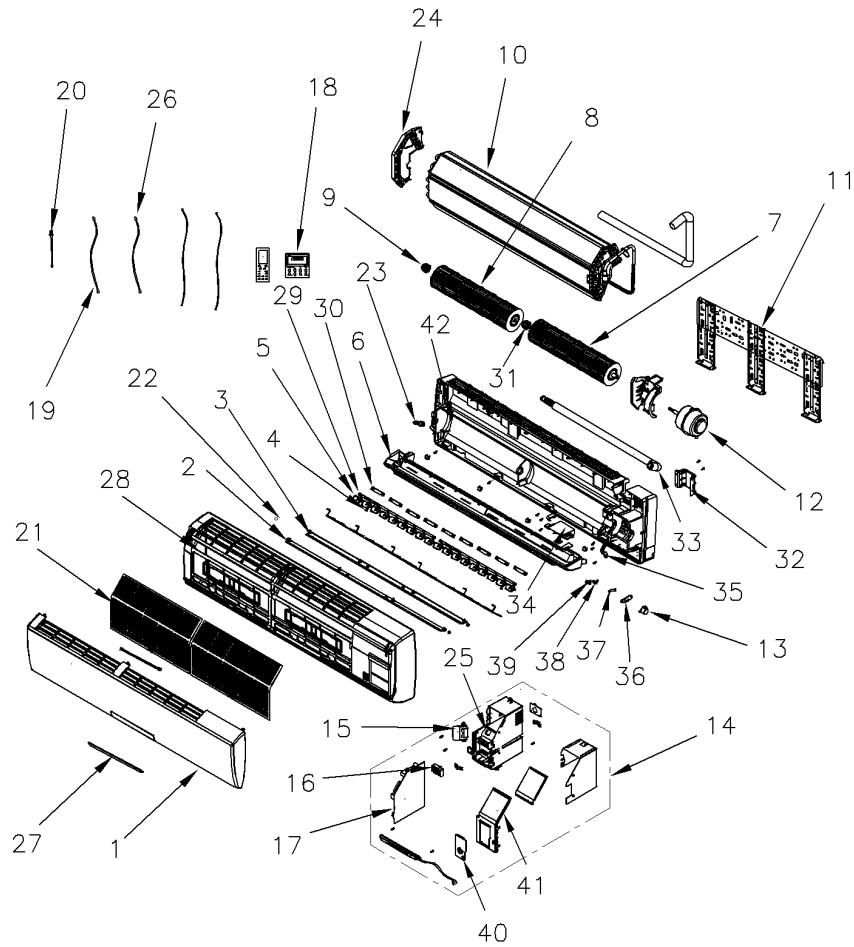
Digit 14 = Minor Design Sequence
A = First Design Sequence
B = Second Design Sequence

Digit 15 = Service Digit
A = First Sequence

GENERAL ASSEMBLY

75009917

REV
B



* NOT ILLUSTRATED
TYPICAL ILLUSTRATION

Parts List Number :MXWUP5#MXWUP5

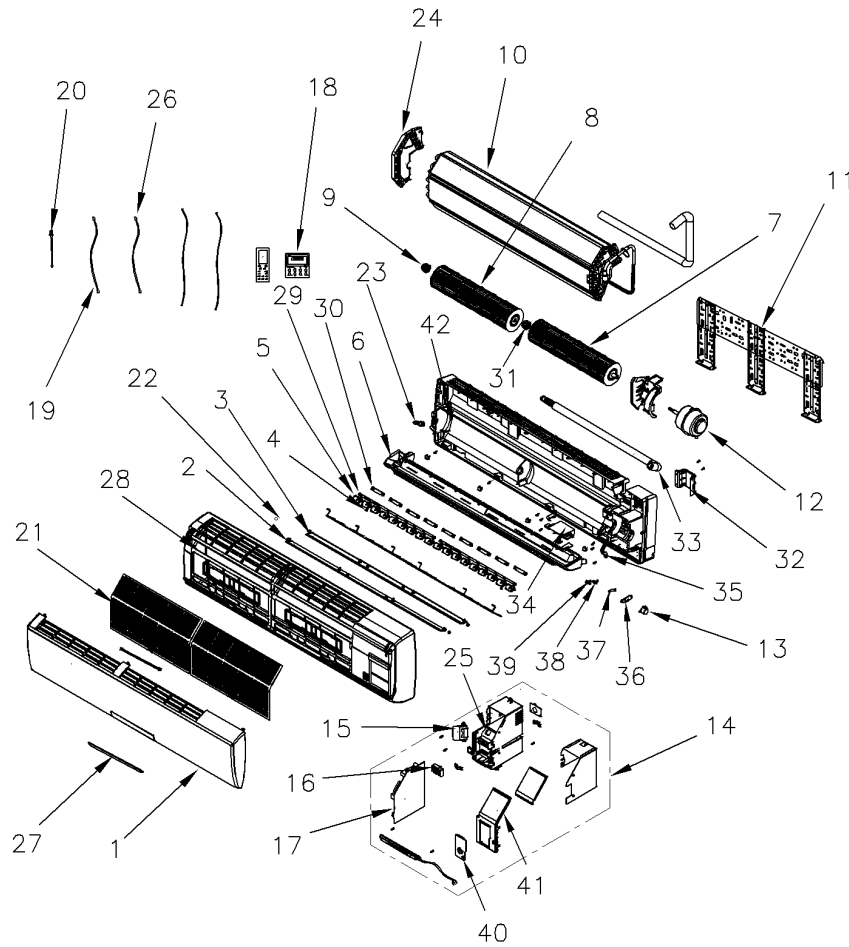
Model Number :4MXW8536A10NOBA

Part No.	Reference No.	Quantity	Description
75009917_MXWUP5_297225~P	*		GENERAL ASSEMBLY PARTS LIST

GENERAL ASSEMBLY

75009917

REV
B



* NOT ILLUSTRATED
TYPICAL ILLUSTRATION

Part No.	Reference No.	Quantity	Description
PNL31693	1	1	PANEL; FRONT
LVR01127	2	1	LOUVER; UPPER GUIDE
LVR01128	3	1	LOUVER; LOWER GUIDE
LVR01130	4	2	LOUVER; AIR LOUVER 2
LVR01129	5	16	LOUVER; AIR LOUVER 1
PAN03321	6	1	PAN; WATER TRAY
FAN04754	7	1	FAN; CROSS FLOW FAN 1
FAN04755	8	1	FAN; CROSS FLOW FAN 2
GKT04242	9	1	GASKET; O-GASKET SUB-ASSY OF BEARING(76512051)
COL18589	10	1	COIL; EVAPORATOR ASSY
FRM02097	11	1	FRAME; WALL MOUNTING
MOT14688	12	1	MOTOR; EVAPORATOR FAN, 230V, SINGLE PHASE, 1550 RPM
MOT13898	13	1	MOTOR; STEP MOTOR(1521210701)
BOX03162	14	1	BOX; ELECTRIC, ASSY
TRR02466	15	1	TRANSFORMER; 41X26.5N
BRD02648	16	1	BOARD; TERMINAL,
BRD04487	17	1	BOARD; MAIN
BRD04355	18	1	BOARD; DISPLAY
SEN01332	19	1	SENSOR, TUBE (390000591)
SEN01333	20	1	SENSOR; AMBIENT TEMPERATURE (390000451)
FLR08295	21	2	FILTER; SUB ASSY
BUS02179	22	6	BUSHING; AXILE
PLU01245	23	1	PLUG; DRAIN PAN
SUP05895	24	1	SUPPORT; LEFT EVAPORATOR
BOX02638	25	1	BOX; ELECTRIC
WIR08525	26	1	WIRE; SIGNAL HARNESS
GLS01098	27	1	GLASS; RECEIVER WINDOW
PNL34458	28	1	PANEL; FRONT CASE, SUB-ASSY
ROD01448	29	2	ROD; CONNECTING
CMP01543	30	9	CLAMP; LOUVER
HLD00701	31	1	HOLDER; BEARING, SUB-ASSY
CMP01544	32	1	CLAMP; PIPE
HSE01943	33	1	HOSE; DRAINAGE
PLT06146	34	1	PLATE; COVER
CAT00171	35	1	CATCH; MOTOR FIXED CLIP
TOL04893	36	1	TOOL; PRESS PLATE CRANK
LEV00434	37	1	LEVER; CRANK-GUIDE
TOL04894	38	1	TOOL; UPPER CRANK
TOL04895	39	1	TOOL; LOWER CRANK
COV05256	40	1	COVER; ELECTRIC BOX
COV05257	41	1	COVER; ELECTRIC BOX
PAN04041	42	1	PAN; REAR CASE ASSY

ACCESSORIES INDOOR UNITS

75009915

REV
B

* NOT ILLUSTRATED



All orderable Service Parts are identified for this product.
Parts that are not identified, will not be available to order.
This is a typical illustration. The unit in the field may not appear exactly as shown.

ACCESSORIES

Parts List Number :MXWUP5#MXWUP5

Model Number :4MXW8536A10N0BA

Part No.	Reference No.	Quantity	Description
75009915_MXWUP5_297224~P	*		ACCESSORIES PARTS LIST

ACCESSORIES INDOOR UNITS

75009915

REV
B

* NOT ILLUSTRATED



All orderable Service Parts are identified for this product.
Parts that are not identified, will not be available to order.
This is a typical illustration. The unit in the field may not appear exactly as shown.

Part No.	Reference No.	Quantity	Description
PMP01703	1	1	PUMP; MINI ORANGE CONDENSATE PUMP FOR MINI-SPLIT A/C SYSTEMS, 230V
PMP01705	2	1	PUMP; MINI LIME CONDENSATE PUMP FOR MINI-SPLIT A/C SYSTEMS, 230V
PMP01806	3	1	PUMP; MINI WHITE CONDENSATE PUMP FOR MINI-SPLIT A/C SYSTEMS, 230V
PMP01920	4	1	PUMP; MINI AQUA PUMP KIT 230V
PMP01914	5	1	PUMP; MAXI-LIME SLIM DUCT PUMP KIT; 230V WITH DUCT
CNT06868	6	1	CONTROL; REMOTE CONTROLLER, TRANE BRAND
CNT06869	6	1	CONTROL; REMOTE CONTROLLER, AMERICAN STANDARD BRAND
FLR07581	7	1	FILTER; REPLACEMENT FILTER MEDIA; 2-PACK MEDIA, 1 CARBON MEDIA FILTER AND 1 CATECHIN MEDIA FILTER; FOR RESIDENTIAL SYSTEMS MODEL 4MXW8536A10N0BA

		Linesets for RS Multi-Split Launch			75009913
		Size and Length	Used for	Models (Trane Indoor Unit P/Ns)	
1	KIT16423	¼ x 3/8 – 25'	18 SEER 9MBh & 12 MBh	4MXW8509A10N0BA 4MXW8509A10N0CA	4MXW8512A10N0BA 4MXW8512A10N0CA
2	KIT16424	¼ x 3/8 – 35'	18 SEER 9MBh & 12 MBh	4MXW8509A10N0BA 4MXW8509A10N0CA	4MXW8512A10N0BA 4MXW8512A10N0CA
3	KIT15228	¼ x 3/8 – 50'	18 SEER 9MBh & 12 MBh	4MXW8509A10N0BA 4MXW8509A10N0CA	4MXW8512A10N0BA 4MXW8512A10N0CA
4	KIT16425	¼ x ½ - 25'	18 SEER 18MBh	4MXW8518A10N0BA 4MXW8518A10N0CA	
5	KIT16426	¼ x ½ - 35'	18 SEER 18MBh	4MXW8518A10N0BA 4MXW8518A10N0CA	
6	KIT15229	¼ x ½ - 50'	18 SEER 18MBh	4MXW8518A10N0BA 4MXW8518A10N0CA	

Part No.	Reference No.	Quantity	Description
75009913_MXWUP5_201438~P	*		LINESETS ACCESSORIES PARTS LIST

		Linesets for RS Multi-Split Launch			75009913
		Size and Length	Used for	Models (Trane Indoor Unit P/Ns)	
1	KIT16423	¼ x 3/8 – 25'	18 SEER 9MBh & 12 MBh	4MXW8509A10N0BA 4MXW8509A10N0CA	4MXW8512A10N0BA 4MXW8512A10N0CA
2	KIT16424	¼ x 3/8 – 35'	18 SEER 9MBh & 12 MBh	4MXW8509A10N0BA 4MXW8509A10N0CA	4MXW8512A10N0BA 4MXW8512A10N0CA
3	KIT15228	¼ x 3/8 – 50'	18 SEER 9MBh & 12 MBh	4MXW8509A10N0BA 4MXW8509A10N0CA	4MXW8512A10N0BA 4MXW8512A10N0CA
4	KIT16425	¼ x ½ - 25'	18 SEER 18MBh	4MXW8518A10N0BA 4MXW8518A10N0CA	
5	KIT16426	¼ x ½ - 35'	18 SEER 18MBh	4MXW8518A10N0BA 4MXW8518A10N0CA	
6	KIT15229	¼ x ½ - 50'	18 SEER 18MBh	4MXW8518A10N0BA 4MXW8518A10N0CA	

