

Part No.	Reference No.	Quantity	Description
75009915#MXWUP5~S	*		ACCESSORIES
75009864#MXWUP5~S	*		GENERAL ASSEMBLY
75009913#MXWUP5~S	*		LINESETS ACCESSORIES
75009848#MXWUP5~S	*		MODEL NOMENCLATURE
MXWUP5_MXWUP5_201433~P	*		MXWUP5 PARTS LIST

NO GRAPHIC AVAILABLE

75013702

REV
A

**NO
GRAPHIC
AVAILABLE**

MODEL NOMENCLATURE

75009848

REV
A

Indoor Unit – Inverter High Wall Systems

Model Number Example

4 M X W 6 5 1 2 A 1 0 N 0 B A
1 2 3 4 5 6 7 8 9 10 11 12 13 14 15

Digit 1 = Refrigerant
4 = R-410a

Digit 2 = Brand Name
M = Mini-Split High Wall Unit

Digit 3 = Functional Type
X = Heat Pump
Y = Cooling Only Inverter

Digit 4 = Configuration Indoor Unit
W = High Wall Unit

Digit 5 = Efficiency Tier
6 = 16+ SEER
8 = 18+ SEER

Digit 6 = Connection Type
5 = Flare

Digit 7,8 = Nominal Capacity
(Btu/h x 1,000)

09 = 9,000 Btu/h
12 = 12,000 Btu/h
18 = 18,000 Btu/h
24 = 24,000 Btu/h
30 = 30,000 Btu/h
36 = 36,000 Btu/h

Digit 9 = Major Development Sequence
A = First Development Sequence

Digit 10 = Electric Power Supply Characteristics
1 = 208-230/60/1

Digit 11 = Reserved for Future Use
0 = Not Currently Used

Digit 12 = Regional Markets Served
N = North America Market

Digit 13 = Reserved for Future Use
0 = Not Currently Used

Digit 14 = Minor Design Sequence
A = First Design Sequence
B = Second Design Sequence

Digit 15 = Service Digit
A = First Sequence

Part No.	Reference No.	Quantity	Description
75009848_MXWUP5_201434~P	*		MODEL NOMENCLATURE PARTS LIST

MODEL NOMENCLATURE

75009848

REV
A

Indoor Unit – Inverter High Wall Systems

Model Number Example

4 M X W 6 5 1 2 A 1 0 N 0 B A
1 2 3 4 5 6 7 8 9 10 11 12 13 14 15

Digit 1 = Refrigerant

4 = R-410a

Digit 2 = Brand Name

M = Mini-Split High Wall Unit

Digit 3 = Functional Type

X = Heat Pump

Y = Cooling Only Inverter

Digit 4 = Configuration Indoor Unit

W = High Wall Unit

Digit 5 = Efficiency Tier

6 = 16+ SEER

8 = 18+ SEER

Digit 6 = Connection Type

5 = Flare

Digit 7,8 = Nominal Capacity

(Btu/h x 1,000)

09 = 9,000 Btu/h

12 = 12,000 Btu/h

18 = 18,000 Btu/h

24 = 24,000 Btu/h

30 = 30,000 Btu/h

36 = 36,000 Btu/h

Digit 9 = Major Development Sequence

A = First Development Sequence

Digit 10 = Electric Power Supply Characteristics

1 = 208-230/60/1

Digit 11 = Reserved for Future Use

0 = Not Currently Used

Digit 12 = Regional Markets Served

N = North America Market

Digit 13 = Reserved for Future Use

0 = Not Currently Used

Digit 14 = Minor Design Sequence

A = First Design Sequence

B = Second Design Sequence

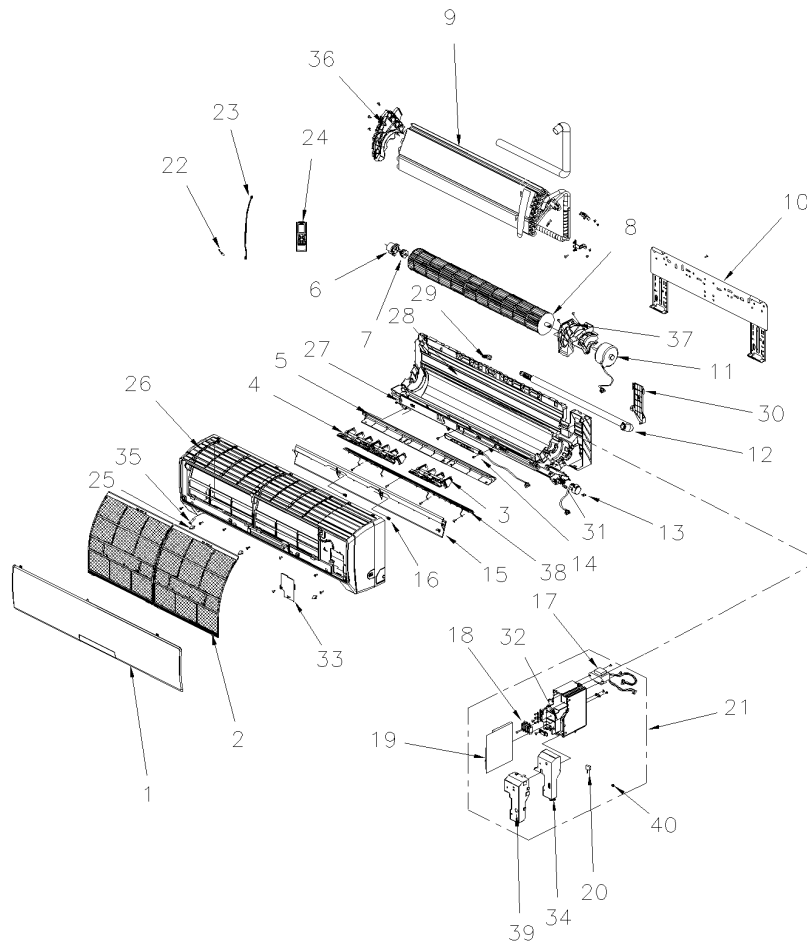
Digit 15 = Service Digit

A = First Sequence

GENERAL ASSEMBLY

75009864

REV
B



* NOT ILLUSTRATED
TYPICAL ILLUSTRATION

Parts List Number :MXWUP5#MXWUP5

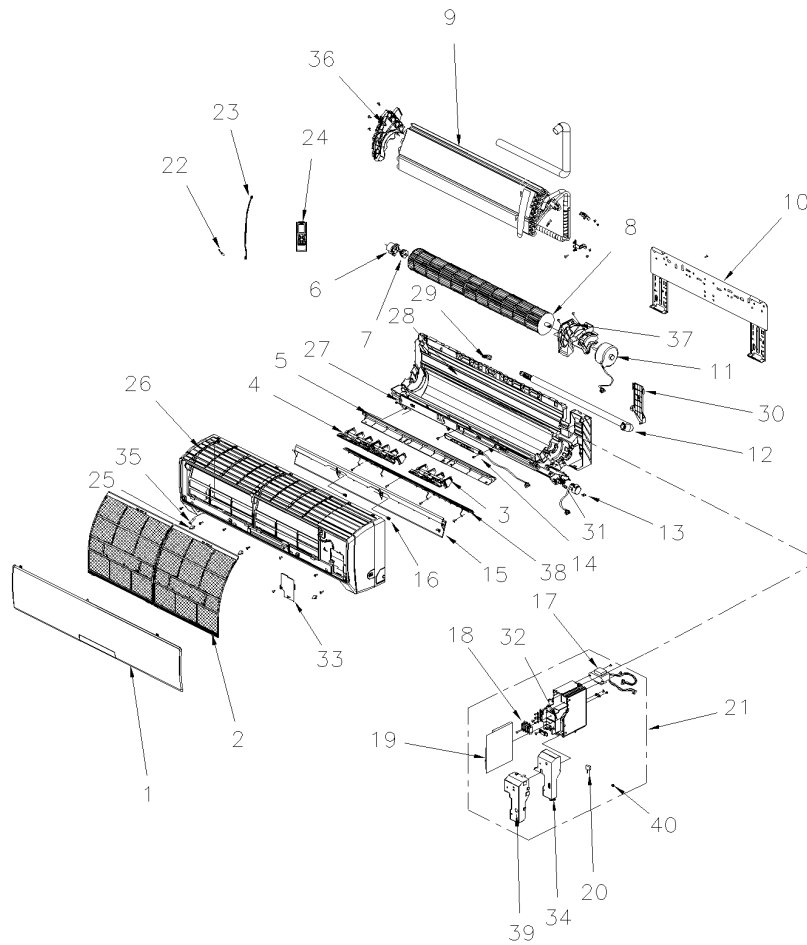
Model Number :4MXW8518A10NOBA

Part No.	Reference No.	Quantity	Description
75009864_MXWUP5_208509~P	*		GENERAL ASSEMBLY PARTS LIST

GENERAL ASSEMBLY

75009864

REV
B



* NOT ILLUSTRATED
TYPICAL ILLUSTRATION

Part No.	Reference No.	Quantity	Description
PNL31691	1	1	PANEL; FRONT ASSY
FLR07207	2	2	FILTER; REUSABLE MESH, 11 1/2 X 14
LVR00926	3	1	LOUVER; AIR 1 (10512708)
LVR00927	4	1	LOUVER; AIR 2 (10512709)
HNG00979	5	1	HINGE; HELICOID TONGUE
BRG01960	6	1	BEARING; RING
GKT04728	7	1	GASKET; O RING, BEARING
FAN04372	8	1	FAN; CROSS FLOW (10352019)
EVP01507	9	1	EVAPORATOR; ASSY (01002575)
FRM02079	10	1	FRAME; WALL MOUNTING
MOT16745	11	1	MOTOR; FAN
HSE01636	12	1	HOSE; DRAINAGE HOSE
MOT13058	13	1	MOTOR; STEP (15012086)
BRD04355	14	1	BOARD; DISPLAY
LVR00940	15	1	LOUVER; GUIDE (10512115)
BUS02047	16	1	BUSHING; AXILE
TRR02449	17	1	TRANSFORMER; HIGH FREQUENCY
BRD02648	18	1	BOARD; TERMINAL,
BRD04332	19	1	BOARD; MAIN
CPT02072	20	1	CAPACITOR; CBB61
CNT06826	21	1	CONTROL; ELECTRIC BOX ASSEMBLY
SEN01816	22	1	SENSOR; AMBIENT TEMPERATURE SENSOR(390000453)
SEN02279	23	1	SENSOR; TEMPERATURE
CNT06824	24	1	CONTROL; REMOTE
COV05062	25	3	COVER; SCREW
CAS02048	26	1	CASING; FRONT CASE SUB-ASSY
BUS02159	27	1	BUSHING; LEFT AXILE
CAS02104	28	1	CASING; REAR CASE ASSY
PLU01245	29	1	PLUG; DRAIN PAN
CMP01516	30	1	CLAMP; CONNECTING PIPE
TOL03841	31	1	TOOL; CRANK
BOX02639	32	1	BOX; ELECTRIC
COV04803	33	1	COVER; ELECTRIC BOX 2
COV04805	34	1	COVER; ELECTRIC BOX 1
BAF01445	35	1	BAFFLE; PLATE
SUP06217	36	1	SUPPORT; EVAPORATOR
PLT06145	37	1	PLATE; MOTOR PRESS
LVR01217	38	1	LOUVER; MESH ENCLOSURE(AIR OUTLET)
COV05255	39	1	COVER; SHIELD OF ELECTRIC BOX
WIR08690	40	1	WIRE; JUMPER

ACCESSORIES INDOOR UNITS

75009915

REV
B

* NOT ILLUSTRATED



All orderable Service Parts are identified for this product.
Parts that are not identified, will not be available to order.
This is a typical illustration. The unit in the field may not appear exactly as shown.

ACCESSORIES

Parts List Number :MXWUP5#MXWUP5

Model Number :4MXW8518A10NOBA

Part No.	Reference No.	Quantity	Description
75009915_MXWUP5_201439~P	*		ACCESSORIES PARTS LIST

ACCESSORIES INDOOR UNITS

75009915

REV
B

* NOT ILLUSTRATED



All orderable Service Parts are identified for this product.
Parts that are not identified, will not be available to order.
This is a typical illustration. The unit in the field may not appear exactly as shown.

Part No.	Reference No.	Quantity	Description
PMP01703	1	1	PUMP; MINI ORANGE CONDENSATE PUMP FOR MINI-SPLIT A/C SYSTEMS, 230V
PMP01705	2	1	PUMP; MINI LIME CONDENSATE PUMP FOR MINI-SPLIT A/C SYSTEMS, 230V
PMP01806	3	1	PUMP; MINI WHITE CONDENSATE PUMP FOR MINI-SPLIT A/C SYSTEMS, 230V
PMP01920	4	1	PUMP; MINI AQUA PUMP KIT 230V
PMP01914	5	1	PUMP; MAXI-LIME SLIM DUCT PUMP KIT; 230V WITH DUCT
CNT06868	6	1	CONTROL; REMOTE CONTROLLER, TRANE BRAND
CNT06869	6	1	CONTROL; REMOTE CONTROLLER, AMERICAN STANDARD BRAND
FLR07580	7	1	FILTER; REPLACEMENT FILTER MEDIA; 2-PACK MEDIA, 1 CARBON MEDIA FILTER AND 1 CATECHIN MEDIA

		Linesets for RS Multi-Split Launch			75009913
		Size and Length	Used for	Models (Trane Indoor Unit P/Ns)	
1	KIT16423	¼ x 3/8 – 25'	18 SEER 9MBh & 12 MBh	4MXW8509A10N0BA 4MXW8509A10N0CA	4MXW8512A10N0BA 4MXW8512A10N0CA
2	KIT16424	¼ x 3/8 – 35'	18 SEER 9MBh & 12 MBh	4MXW8509A10N0BA 4MXW8509A10N0CA	4MXW8512A10N0BA 4MXW8512A10N0CA
3	KIT15228	¼ x 3/8 – 50'	18 SEER 9MBh & 12 MBh	4MXW8509A10N0BA 4MXW8509A10N0CA	4MXW8512A10N0BA 4MXW8512A10N0CA
4	KIT16425	¼ x ½ - 25'	18 SEER 18MBh	4MXW8518A10N0BA 4MXW8518A10N0CA	
5	KIT16426	¼ x ½ - 35'	18 SEER 18MBh	4MXW8518A10N0BA 4MXW8518A10N0CA	
6	KIT15229	¼ x ½ - 50'	18 SEER 18MBh	4MXW8518A10N0BA 4MXW8518A10N0CA	

Parts List Number :MXWUP5#MXWUP5

Model Number :4MXW8518A10NOBA

Part No.	Reference No.	Quantity	Description
75009913_MXWUP5_208510~P	*		LINESETS ACCESSORIES PARTS LIST

		Linesets for RS Multi-Split Launch			75009913
		Size and Length	Used for	Models (Trane Indoor Unit P/Ns)	
1	KIT16423	¼ x 3/8 – 25'	18 SEER 9MBh & 12 MBh	4MXW8509A10N0BA 4MXW8509A10N0CA	4MXW8512A10N0BA 4MXW8512A10N0CA
2	KIT16424	¼ x 3/8 – 35'	18 SEER 9MBh & 12 MBh	4MXW8509A10N0BA 4MXW8509A10N0CA	4MXW8512A10N0BA 4MXW8512A10N0CA
3	KIT15228	¼ x 3/8 – 50'	18 SEER 9MBh & 12 MBh	4MXW8509A10N0BA 4MXW8509A10N0CA	4MXW8512A10N0BA 4MXW8512A10N0CA
4	KIT16425	¼ x ½ - 25'	18 SEER 18MBh	4MXW8518A10N0BA 4MXW8518A10N0CA	
5	KIT16426	¼ x ½ - 35'	18 SEER 18MBh	4MXW8518A10N0BA 4MXW8518A10N0CA	
6	KIT15229	¼ x ½ - 50'	18 SEER 18MBh	4MXW8518A10N0BA 4MXW8518A10N0CA	

Part No.	Reference No.	Quantity	Description
KIT16425	4	1	LINE SET; 1/4 X 1/2 X 1/2 X 25FT MINI-SPLIT NO BEND, NO PLAIN END, HAS FLARE FITTINGS, NO CONTROL WIRE MUE 40820250B3B6
KIT16426	5	1	LINE SET; 1/4 X 1/2 X 1/2 X 35FT MINI-SPLIT NO BEND, NO PLAIN END, HAS FLARE FITTINGS, NO CONTROL WIRE MUE 40820350B3B6
KIT15229	6	1	LINE SET; 1/4 X 1/2 X 1/2 X 50FT MINI-SPLIT NO BEND, NO PLAIN END, HAS FLARE FITTINGS, NO CONTROL WIRE MUE 40820500B3B6