

Part No.	Reference No.	Quantity	Description
76001661#MXWUP1~S	*		GENERAL ASSEMBLY
76001671#MXWUP1~S	*		MODEL NOMENCLATURE
MXWUP1_MXWUP1_232163~P	*		MXWUP1 PARTS LIST

NO GRAPHIC AVAILABLE

75013702

REV
A

**NO
GRAPHIC
AVAILABLE**

MODEL NOMENCLATURE

76001671

REV
A

Gree Indoor Unit – Inverter High Wall Systems

Model Number Example

4 M X W 4 5 1 2 A 1 0 0 0 A A
1 2 3 4 5 6 7 8 9 10 11 12 13 14 15

Digit 1 = Refrigerant
 4 = R-410a

Digit 2 = Brand Name
 M = Trane Mini-Split High Wall Unit

Digit 3 = Functional Type
 X = Heat Pump Inverter
 Y = Cooling Only Inverter

Digit 4 = Configuration Indoor Unit
 W = High Wall Unit

Digit 5 = Efficiency Tier
 2 - 20+ SEER
 4 - 14.5+ SEER
 6 - 16+ SEER
 8 - 18+ SEER

Digit 6 = Connection Type
 5 - Flare

Digit 7,8 = Nominal Capacity
 (Btu/h x 1,000)
 09 = 9,000 Btu/h
 12 = 12,000 Btu/h
 18 = 18,000 Btu/h
 24 = 24,000 Btu/h
 30 = 30,000 Btu/h
 36 = 36,000 Btu/h

Digit 9 = Major Development Sequence
 A = First Development Sequence
 B = Second Development Sequence
 C = Third Development Sequence

Digit 10 = Electric Power Supply Characteristics
 1 = 220/60/1
 3 = 208-230/60/3
 4 = 460/60/3
 6 = 220/60/3
 9 = 115/60/1
 B = 220-240/50/1
 C = 380/50/3
 D = 380-415/50/3
 K = 380/60/3

Digit 11, 12, 13 = Reserved for Future Use
 0 = Not Currently Used

Digit 14 = Minor Design Sequence
 A = First Design Sequence
 B = Second Design Sequence
 C = Third Design Sequence

Digit 15 = Service Digit
 A = First Sequence

Part No.	Reference No.	Quantity	Description
76001671_MXWUP1_232166~P	*		MODEL NOMENCLATURE PARTS LIST

MODEL NOMENCLATURE

76001671

REV
A

Gree Indoor Unit – Inverter High Wall Systems

Model Number Example

4 M X W 4 5 1 2 A 1 0 0 0 A A
1 2 3 4 5 6 7 8 9 10 11 12 13 14 15

Digit 1 = Refrigerant
 4 = R-410a

Digit 2 = Brand Name
 M = Trane Mini-Split High Wall Unit

Digit 3 = Functional Type
 X = Heat Pump Inverter
 Y = Cooling Only Inverter

Digit 4 = Configuration Indoor Unit
 W = High Wall Unit

Digit 5 = Efficiency Tier
 2 - 20+ SEER
 4 - 14.5+ SEER
 6 - 16+ SEER
 8 - 18+ SEER

Digit 6 = Connection Type
 5 - Flare

Digit 7,8 = Nominal Capacity
 (Btu/h x 1,000)
 09 = 9,000 Btu/h
 12 = 12,000 Btu/h
 18 = 18,000 Btu/h
 24 = 24,000 Btu/h
 30 = 30,000 Btu/h
 36 = 36,000 Btu/h

Digit 9 = Major Development Sequence
 A = First Development Sequence
 B = Second Development Sequence
 C = Third Development Sequence

Digit 10 = Electric Power Supply Characteristics
 1 = 220/60/1
 3 = 208-230/60/3
 4 = 460/60/3
 6 = 220/60/3
 9 = 115/60/1
 B = 220-240/50/1
 C = 380/50/3
 D = 380-415/50/3
 K = 380/60/3

Digit 11, 12, 13 = Reserved for Future Use
 0 = Not Currently Used

Digit 14 = Minor Design Sequence
 A = First Design Sequence
 B = Second Design Sequence
 C = Third Design Sequence

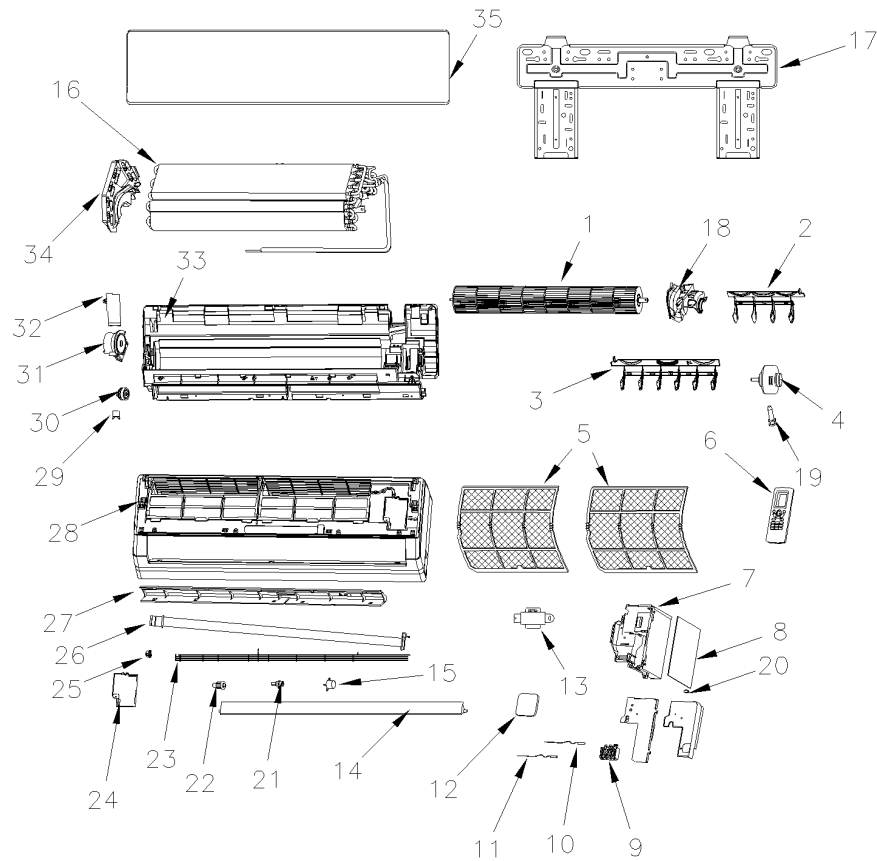
Digit 15 = Service Digit
 A = First Sequence

GENERAL ASSEMBLY

76001661

REV
B

* NOT ILLUSTRATED



All orderable Service Parts are identified for this product.

Parts that are not identified, will not be available to order.

This is a typical illustration. The unit in the field may not appear exactly as shown.

Parts List Number :MXWUP1#MXWUP1

Model Number :4MXW8512A1000AA

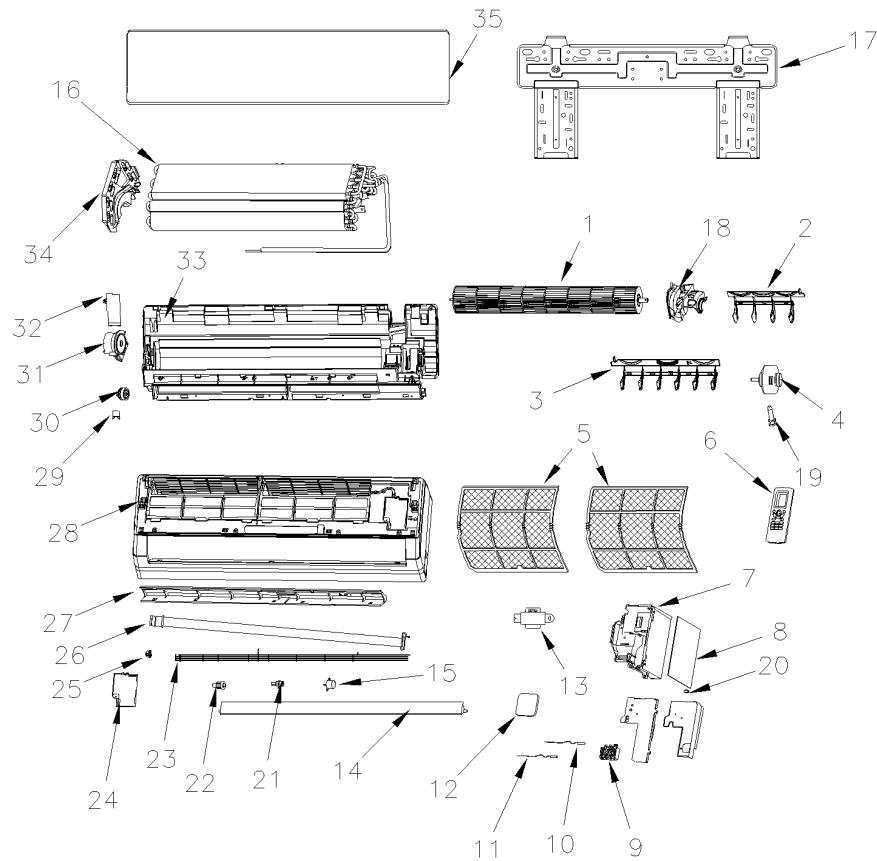
Part No.	Reference No.	Quantity	Description
76001661_MXWUP1_232165~P	*		GENERAL ASSEMBLY PARTS LIST

GENERAL ASSEMBLY

76001661

REV
B

* NOT ILLUSTRATED



All orderable Service Parts are identified for this product.

Parts that are not identified, will not be available to order.

This is a typical illustration. The unit in the field may not appear exactly as shown.

Part No.	Reference No.	Quantity	Description
FAN04371	1	1	FAN; CROSS FLOW
LVR00924	2	1	LOUVER; AIR RIGHT, 4 FIN
LVR00925	3	1	LOUVER; AIR LEFT, 6 FIN
MOT13798	4	1	MOTOR; FAN (15012089)
FLR07205	5	2	FILTER; SUB-ASSY (1112220401)
CNT06335	6	1	CONTROL; REMOTE CONTROLLER (30510048)
BOX01825	7	1	BOX; ELECTRIC ASSY (2020212845)
BRD03893	8	1	BOARD; MAIN (30138288)
BRD02648	9	1	BOARD; TERMINAL,
SEN01333	10	1	SENSOR; AMBIENT TEMPERATURE (390000451)
SEN01332	11	1	SENSOR, TUBE (390000591)
BRD03880	12	1	BOARD; DISPLAY (30565043)
TRR02254	13	1	TRANSFORMER; (43110293)
LVR00941	14	1	LOUVER; GUIDE
MOT13796	15	1	MOTOR; STEP (1521210801)
EVP01505	16	1	EVAPORATOR; ASSY (01002574)
FRM02372	17	1	FRAME; WALL MOUNTING
PLT05867	18	1	PLATE; MOTOR
PLU01245	19	1	PLUG; DRAIN PAN
WIR08865	20	1	WIRE; JUMPER
TOL03841	21	1	TOOL; CRANK
BUS02193	22	1	BUSHING; AXILE
LVR01216	23	1	LOUVER; GUIDE, REAR GRILL
COV05254	24	1	COVER; ELECTRIC BOX COVER2
BUS02159	25	1	BUSHING; LEFT AXILE
HSE01637	26	1	HOSE; DRAINAGE
HNG00981	27	1	HINGE; HELICOID TONGUE
CAS02123	28	1	CASING; FRONT SUB-ASSY
COV05062	29	1	COVER; SCREW
GKT04242	30	1	GASKET; O-GASKET SUB-ASSY OF BEARING(76512051)
BRG01960	31	1	BEARING; RING
CMP01516	32	1	CLAMP; CONNECTING PIPE
CAS02124	33	1	CASING; REAR ASSY
SUP05540	34	1	SUPPORT; EVAPORATOR
PNL28900	35	1	PANEL; ASSEMBLY, FRONT