

<b>Part No.</b>	<b>Reference No.</b>	<b>Quantity</b>	<b>Description</b>
4MXWUP1_4MXWUP1_270571~ P	*		4MXWUP1 PARTS LIST
75010569#4MXWUP1~S	*		GENERAL ASSEMBLY 3/4 & 1 TON INDOOR
75009848#4MXWUP1~S	*		INDOOR 4MXW MODEL NOMENCLATURE
75009915#4MXWUP1~S	*		INDOOR ACCESSORIES
75009913#4MXWUP1~S	*		INDOOR LINESETS - ACCESSORIES

NO GRAPHIC AVAILABLE

75013702

REV  
A

**NO  
GRAPHIC  
AVAILABLE**

MODEL NOMENCLATURE

75009848

REV  
A

Indoor Unit – Inverter High Wall Systems

Model Number Example

**4 M X W 6 5 1 2 A 1 0 N 0 B A**  
**1 2 3 4 5 6 7 8 9 10 11 12 13 14 15**

Digit 1 = Refrigerant

4 = R-410a

Digit 2 = Brand Name

M = Mini-Split High Wall Unit

Digit 3 = Functional Type

X = Heat Pump

Y = Cooling Only Inverter

Digit 4 = Configuration Indoor Unit

W = High Wall Unit

Digit 5 = Efficiency Tier

6 = 16+ SEER

8 = 18+ SEER

Digit 6 = Connection Type

5 = Flare

Digit 7,8 = Nominal Capacity

(Btu/h x 1,000)

09 = 9,000 Btu/h

12 = 12,000 Btu/h

18 = 18,000 Btu/h

24 = 24,000 Btu/h

30 = 30,000 Btu/h

36 = 36,000 Btu/h

Digit 9 = Major Development Sequence

A = First Development Sequence

Digit 10 = Electric Power Supply Characteristics

1 = 208-230/60/1

Digit 11 = Reserved for Future Use

0 = Not Currently Used

Digit 12 = Regional Markets Served

N = North America Market

Digit 13 = Reserved for Future Use

0 = Not Currently Used

Digit 14 = Minor Design Sequence

A = First Design Sequence

B = Second Design Sequence

Digit 15 = Service Digit

A = First Sequence

Parts List Number :4MXWUP1#4MXWUP1

Model Number :4MXW8509A10NOCA

Part No.	Reference No.	Quantity	Description
75009848_4MXWUP1_270572~P	*		INDOOR 4MXW MODEL NOMENCLATURE PARTS LIST

MODEL NOMENCLATURE

75009848

REV  
A

Indoor Unit – Inverter High Wall Systems

Model Number Example

**4 M X W 6 5 1 2 A 1 0 N 0 B A**  
**1 2 3 4 5 6 7 8 9 10 11 12 13 14 15**

Digit 1 = Refrigerant

4 = R-410a

Digit 2 = Brand Name

M = Mini-Split High Wall Unit

Digit 3 = Functional Type

X = Heat Pump

Y = Cooling Only Inverter

Digit 4 = Configuration Indoor Unit

W = High Wall Unit

Digit 5 = Efficiency Tier

6 = 16+ SEER

8 = 18+ SEER

Digit 6 = Connection Type

5 = Flare

Digit 7,8 = Nominal Capacity  
(Btu/h x 1,000)

09 = 9,000 Btu/h

12 = 12,000 Btu/h

18 = 18,000 Btu/h

24 = 24,000 Btu/h

30 = 30,000 Btu/h

36 = 36,000 Btu/h

Digit 9 = Major Development Sequence

A = First Development Sequence

Digit 10 = Electric Power Supply Characteristics

1 = 208-230/60/1

Digit 11 = Reserved for Future Use

0 = Not Currently Used

Digit 12 = Regional Markets Served

N = North America Market

Digit 13 = Reserved for Future Use

0 = Not Currently Used

Digit 14 = Minor Design Sequence

A = First Design Sequence

B = Second Design Sequence

Digit 15 = Service Digit

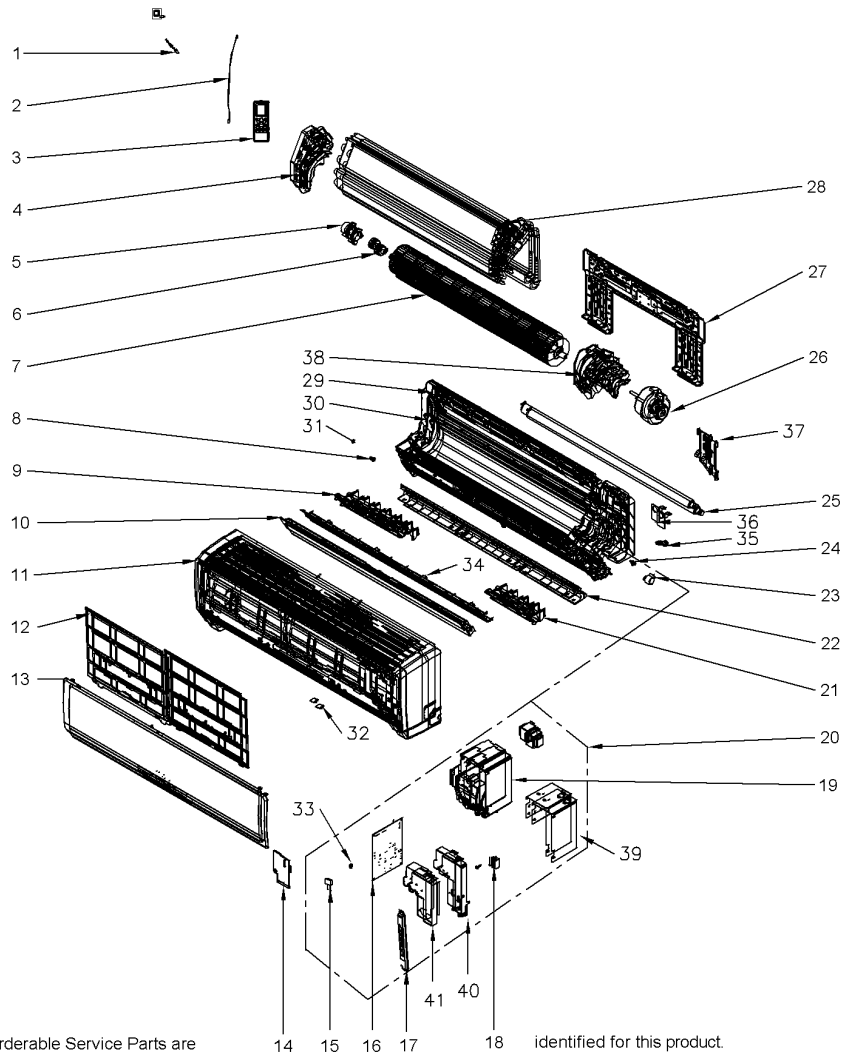
A = First Sequence

GENERAL ASSEMBLY

75010569

REV  
B

3/4 & 1 TON UNIT SIZES  
TYPICAL ILLUSTRATION



All orderable Service Parts are identified for this product.  
Parts that are not identified, will not be available to order.  
This is a typical illustration. The unit in the field may not appear exactly as shown.

Parts List Number :4MXWUP1#4MXWUP1

Model Number :4MXW8509A10NOCA

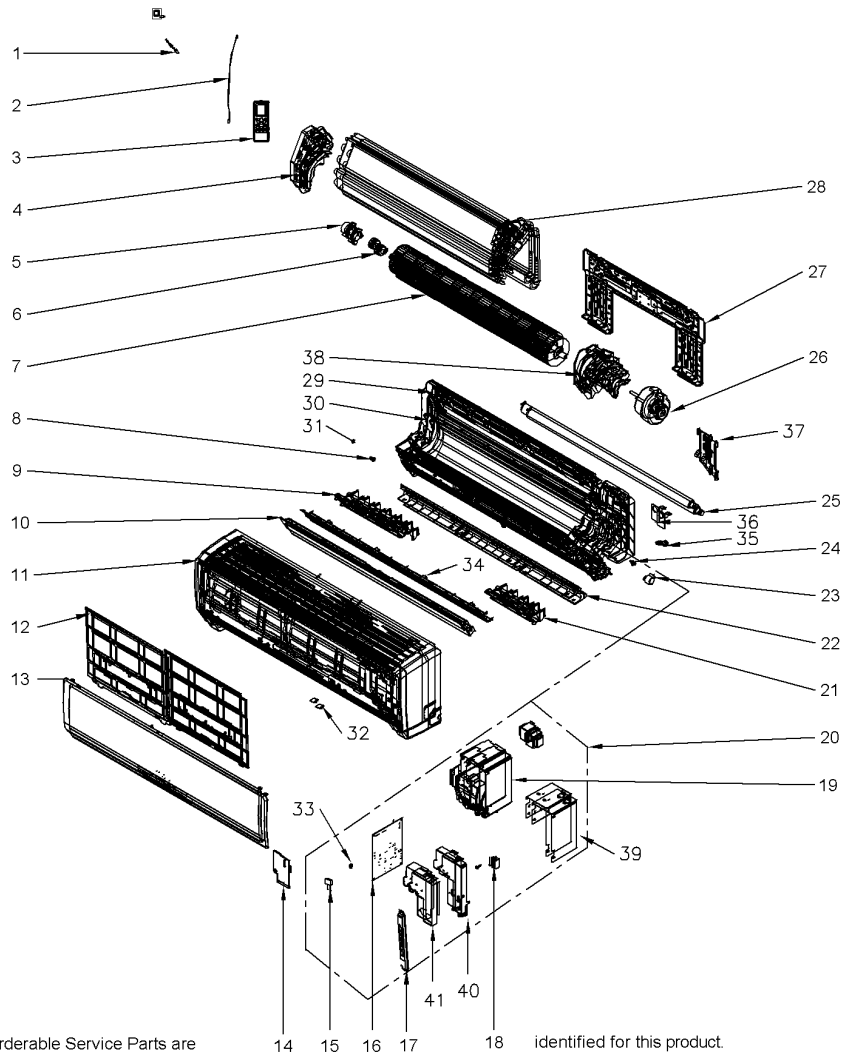
Part No.	Reference No.	Quantity	Description
75010569_4MXWUP1_275644~P	*		GENERAL ASSEMBLY 3/4 & 1 TON INDOOR PARTS LIST

GENERAL ASSEMBLY

75010569

REV  
B

3/4 & 1 TON UNIT SIZES  
TYPICAL ILLUSTRATION



All orderable Service Parts are identified for this product.  
Parts that are not identified, will not be available to order.  
This is a typical illustration. The unit in the field may not appear exactly as shown.

Part No.	Reference No.	Quantity	Description
CON01890	*	1	CONNECTOR; PIPE
CON01891	*	1	CONNECTOR; PIPE
HLD00594	*	1	HOLDER; REMOTE CONTROL
SEN02279	1	1	SENSOR; TEMPERATURE
SEN01816	2	1	SENSOR; AMBIENT TEMPERATURE SENSOR( 390000453)
SUP05540	4	1	SUPPORT; EVAPORATOR
BRG01960	5	1	BEARING; RING
GKT04728	6	1	GASKET; O RING, BEARING
FAN04371	7	1	FAN; CROSS FLOW
BUS02047	8	1	BUSHING; AXILE
LVR00925	9	1	LOUVER; AIR LEFT, 6 FIN
LVR00941	10	1	LOUVER; GUIDE
CAS02033	11	1	CASING; FRONT CASE SUB-ASSY
FLR07566	12	2	FILTER; SUB-ASSEMBLY
PNL31690	13	1	PANEL; FRONT ASSY
COV04804	14	1	COVER; OUTER ELECTRICAL BOX
CPT01879	15	1	CAPACITOR; CAPACITOR CBB61( 33010002)
BRD05115	16	1	BOARD; MAIN
BRD04355	17	1	BOARD; DISPLAY
BRD02648	18	1	BOARD; TERMINAL,
BOX02640	19	1	BOX; ELECTRIC
CNT07250	20	1	BOX; ELECTRIC ASSY
LVR00924	21	1	LOUVER; AIR RIGHT, 4 FIN
HNG00981	22	1	HINGE; HELICOID TONGUE
MOT14616	23	1	MOTOR; STEPPER
TOL03841	24	1	TOOL; CRANK
HSE01637	25	1	HOSE; DRAINAGE
MOT16743	26	1	MOTOR; FAN
FRM02077	27	1	FRAME; WALL MOUNTING
COL25169	28	1	COIL; EVAPORATOR ASSY, INDOOR
PAN03891	29	1	PAN; DRAIN
PAN03849	30	1	PAN; DRAIN, REAR CASE
BUS02159	31	1	BUSHING; LEFT AXILE
COV05062	32	1	COVER; SCREW
CON01816	33	1	CONNECTOR; JUMPING
LVR01216	34	1	LOUVER; GUIDE, REAR GRILL
PLU01245	35	1	PLUG; DRAIN PAN
PLT05865	36	1	PLATE; CABLE
CMP01516	37	1	CLAMP; CONNECTING PIPE
PLT05867	38	1	PLATE; MOTOR
BOX02877	39	1	BOX; ELECTRIC, LOWER SHEILD
COV04806	40	1	COVER; INNER ELECTRICAL BOX, PLASTIC
COV05363	41	1	COVER; SHIELD OF ELECTRIC BOX SUB-ASSY

ACCESSORIES INDOOR UNITS

75009915

REV  
B

\* NOT ILLUSTRATED



All orderable Service Parts are identified for this product.  
Parts that are not identified, will not be available to order.  
This is a typical illustration. The unit in the field may not appear exactly as shown.

Parts List Number :4MXWUP1#4MXWUP1

Model Number :4MXW8509A10NOCA

Part No.	Reference No.	Quantity	Description
75009915_4MXWUP1_275643~P	*		INDOOR ACCESSORIES PARTS LIST

ACCESSORIES INDOOR UNITS

75009915

REV  
B

\* NOT ILLUSTRATED



All orderable Service Parts are identified for this product.  
Parts that are not identified, will not be available to order.  
This is a typical illustration. The unit in the field may not appear exactly as shown.

Part No.	Reference No.	Quantity	Description
HLD00594	*	1	HOLDER; REMOTE CONTROL
PMP01703	1	1	PUMP; MINI ORANGE CONDENSATE PUMP FOR MINI-SPLIT A/C SYSTEMS, 230V
PMP01705	2	1	PUMP; MINI LIME CONDENSATE PUMP FOR MINI-SPLIT A/C SYSTEMS, 230V
PMP01806	3	1	PUMP; MINI WHITE CONDENSATE PUMP FOR MINI-SPLIT A/C SYSTEMS, 230V
PMP01920	4	1	PUMP; MINI AQUA PUMP KIT 230V
PMP01914	5	1	PUMP; MAXI-LIME SLIM DUCT PUMP KIT; 230V WITH DUCT
AREMOTE2AHANDAA	6	1	REMOTE CONTROLLER -AMERICAN STANDARD BRAND
CNT07220	6	1	CONTROL; CONTROLLER WIRE ACCESSORY
TREMOTE2AHANDAA	6	1	REMOTE CONTROLLER -TRANE BRAND
FLR07580	7	1	FILTER; REPLACEMENT FILTER MEDIA; 2-PACK MEDIA, 1 CARBON MEDIA FILTER AND 1 CATECHIN MEDIA
WIR07893	8	1	WIRE; SIGNAL WIRE

		Linesets for RS Multi-Split Launch			75009913
		Size and Length	Used for	Models (Trane Indoor Unit P/Ns)	
1	KIT16423	¼ x 3/8 - 25'	18 SEER 9MBh & 12 MBh	4MXW8509A10N0BA 4MXW8509A10N0CA	4MXW8512A10N0BA 4MXW8512A10N0CA
2	KIT16424	¼ x 3/8 - 35'	18 SEER 9MBh & 12 MBh	4MXW8509A10N0BA 4MXW8509A10N0CA	4MXW8512A10N0BA 4MXW8512A10N0CA
3	KIT15228	¼ x 3/8 - 50'	18 SEER 9MBh & 12 MBh	4MXW8509A10N0BA 4MXW8509A10N0CA	4MXW8512A10N0BA 4MXW8512A10N0CA
4	KIT16425	¼ x ½ - 25'	18 SEER 18MBh	4MXW8518A10N0BA 4MXW8518A10N0CA	
5	KIT16426	¼ x ½ - 35'	18 SEER 18MBh	4MXW8518A10N0BA 4MXW8518A10N0CA	
6	KIT15229	¼ x ½ - 50'	18 SEER 18MBh	4MXW8518A10N0BA 4MXW8518A10N0CA	

Parts List Number :4MXWUP1#4MXWUP1

Model Number :4MXW8509A10NOCA

Part No.	Reference No.	Quantity	Description
75009913_4MXWUP1_275642~P	*		INDOOR LINESETS - ACCESSORIES PARTS LIST

		Linesets for RS Multi-Split Launch			75009913
		Size and Length	Used for	Models (Trane Indoor Unit P/Ns)	
1	KIT16423	¼ x 3/8 - 25'	18 SEER 9MBh & 12 MBh	4MXW8509A10N0BA 4MXW8509A10N0CA	4MXW8512A10N0BA 4MXW8512A10N0CA
2	KIT16424	¼ x 3/8 - 35'	18 SEER 9MBh & 12 MBh	4MXW8509A10N0BA 4MXW8509A10N0CA	4MXW8512A10N0BA 4MXW8512A10N0CA
3	KIT15228	¼ x 3/8 - 50'	18 SEER 9MBh & 12 MBh	4MXW8509A10N0BA 4MXW8509A10N0CA	4MXW8512A10N0BA 4MXW8512A10N0CA
4	KIT16425	¼ x ½ - 25'	18 SEER 18MBh	4MXW8518A10N0BA 4MXW8518A10N0CA	
5	KIT16426	¼ x ½ - 35'	18 SEER 18MBh	4MXW8518A10N0BA 4MXW8518A10N0CA	
6	KIT15229	¼ x ½ - 50'	18 SEER 18MBh	4MXW8518A10N0BA 4MXW8518A10N0CA	

Parts List Number :4MXWUP1#4MXWUP1

Model Number :4MXW8509A10NOCA

Part No.	Reference No.	Quantity	Description
KIT16423	1	1	LINE SET; 1/4 X 3/8 X 1/2 X 25FT MINI-SPLIT NO BEND, NO PLAIN END, HAS FLARE FITTINGS, NO CONTROL WIRE MUE 40620250B3B6
KIT16424	2	1	LINE SET; 1/4 X 3/8 X 1/2 X 35FT MINI-SPLIT NO BEND, NO PLAIN END, HAS FLARE FITTINGS, NO CONTROL WIRE MUE 40620350B3B6
KIT15228	3	1	LINE SET; 1/4 X 3/8 X 1/2 X 50FT MINI-SPLIT NO BEND, NO PLAIN END, HAS FLARE FITTINGS, NO CONTROL WIRE MUE 40620500B3B6