

<b>Part No.</b>	<b>Reference No.</b>	<b>Quantity</b>	<b>Description</b>
75009915#MXWUP5~S	*		ACCESSORIES
75009863#MXWUP5~S	*		GENERAL ASSEMBLY
75009913#MXWUP5~S	*		LINESETS ACCESSORIES
75009848#MXWUP5~S	*		MODEL NOMENCLATURE
MXWUP5_MXWUP5_201433~P	*		MXWUP5 PARTS LIST

NO GRAPHIC AVAILABLE

75013702

REV  
A

**NO  
GRAPHIC  
AVAILABLE**

MODEL NOMENCLATURE

75009848

REV  
A

Indoor Unit – Inverter High Wall Systems

Model Number Example

**4 M X W 6 5 1 2 A 1 0 N 0 B A**  
**1 2 3 4 5 6 7 8 9 10 11 12 13 14 15**

Digit 1 = Refrigerant  
4 = R-410a

Digit 2 = Brand Name  
M = Mini-Split High Wall Unit

Digit 3 = Functional Type  
X = Heat Pump  
Y = Cooling Only Inverter

Digit 4 = Configuration Indoor Unit  
W = High Wall Unit

Digit 5 = Efficiency Tier  
6 = 16+ SEER  
8 = 18+ SEER

Digit 6 = Connection Type  
5 = Flare

Digit 7,8 = Nominal Capacity  
(Btu/h x 1,000)

09 = 9,000 Btu/h  
12 = 12,000 Btu/h  
18 = 18,000 Btu/h  
24 = 24,000 Btu/h  
30 = 30,000 Btu/h  
36 = 36,000 Btu/h

Digit 9 = Major Development Sequence  
A = First Development Sequence

Digit 10 = Electric Power Supply Characteristics  
1 = 208-230/60/1

Digit 11 = Reserved for Future Use  
0 = Not Currently Used

Digit 12 = Regional Markets Served  
N = North America Market

Digit 13 = Reserved for Future Use  
0 = Not Currently Used

Digit 14 = Minor Design Sequence  
A = First Design Sequence  
B = Second Design Sequence

Digit 15 = Service Digit  
A = First Sequence

Part No.	Reference No.	Quantity	Description
75009848_MXWUP5_201434~P	*		MODEL NOMENCLATURE PARTS LIST

MODEL NOMENCLATURE

75009848

REV  
A

Indoor Unit – Inverter High Wall Systems

Model Number Example

**4 M X W 6 5 1 2 A 1 0 N 0 B A**  
**1 2 3 4 5 6 7 8 9 10 11 12 13 14 15**

Digit 1 = Refrigerant

4 = R-410a

Digit 2 = Brand Name

M = Mini-Split High Wall Unit

Digit 3 = Functional Type

X = Heat Pump

Y = Cooling Only Inverter

Digit 4 = Configuration Indoor Unit

W = High Wall Unit

Digit 5 = Efficiency Tier

6 = 16+ SEER

8 = 18+ SEER

Digit 6 = Connection Type

5 = Flare

Digit 7,8 = Nominal Capacity

(Btu/h x 1,000)

09 = 9,000 Btu/h

12 = 12,000 Btu/h

18 = 18,000 Btu/h

24 = 24,000 Btu/h

30 = 30,000 Btu/h

36 = 36,000 Btu/h

Digit 9 = Major Development Sequence

A = First Development Sequence

Digit 10 = Electric Power Supply Characteristics

1 = 208-230/60/1

Digit 11 = Reserved for Future Use

0 = Not Currently Used

Digit 12 = Regional Markets Served

N = North America Market

Digit 13 = Reserved for Future Use

0 = Not Currently Used

Digit 14 = Minor Design Sequence

A = First Design Sequence

B = Second Design Sequence

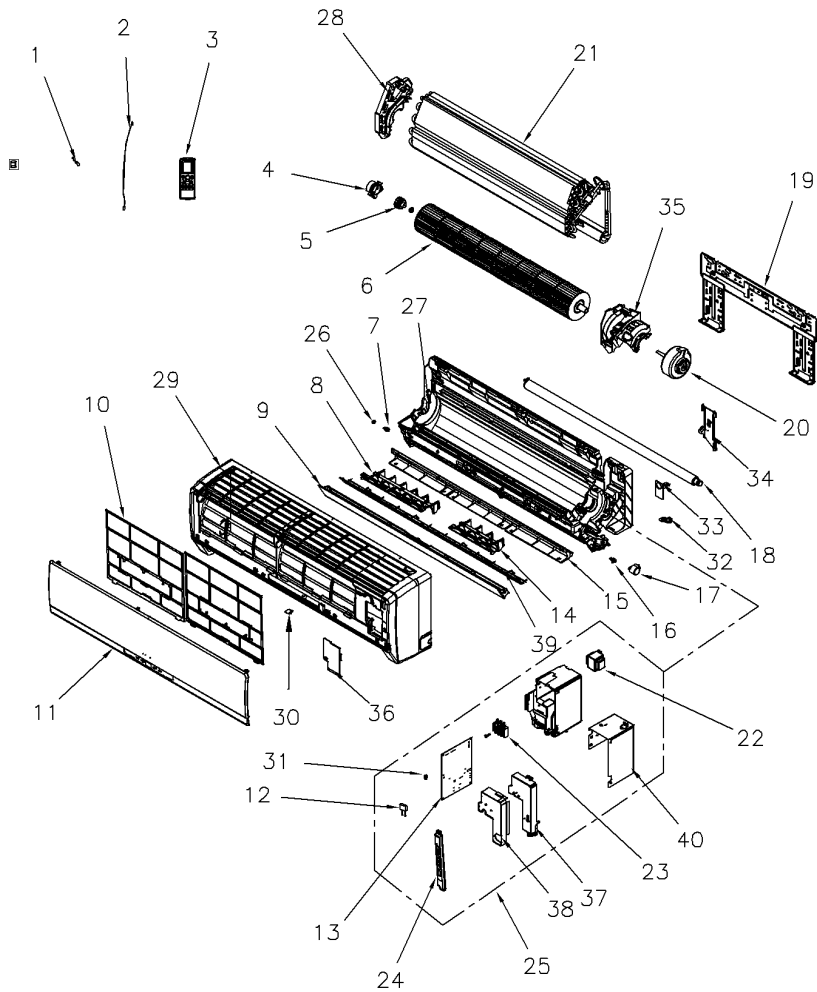
Digit 15 = Service Digit

A = First Sequence

GENERAL ASSEMBLY

75009863

REV  
B



\* NOT ILLUSTRATED  
TYPICAL ILLUSTRATION

Parts List Number :MXWUP5#MXWUP5

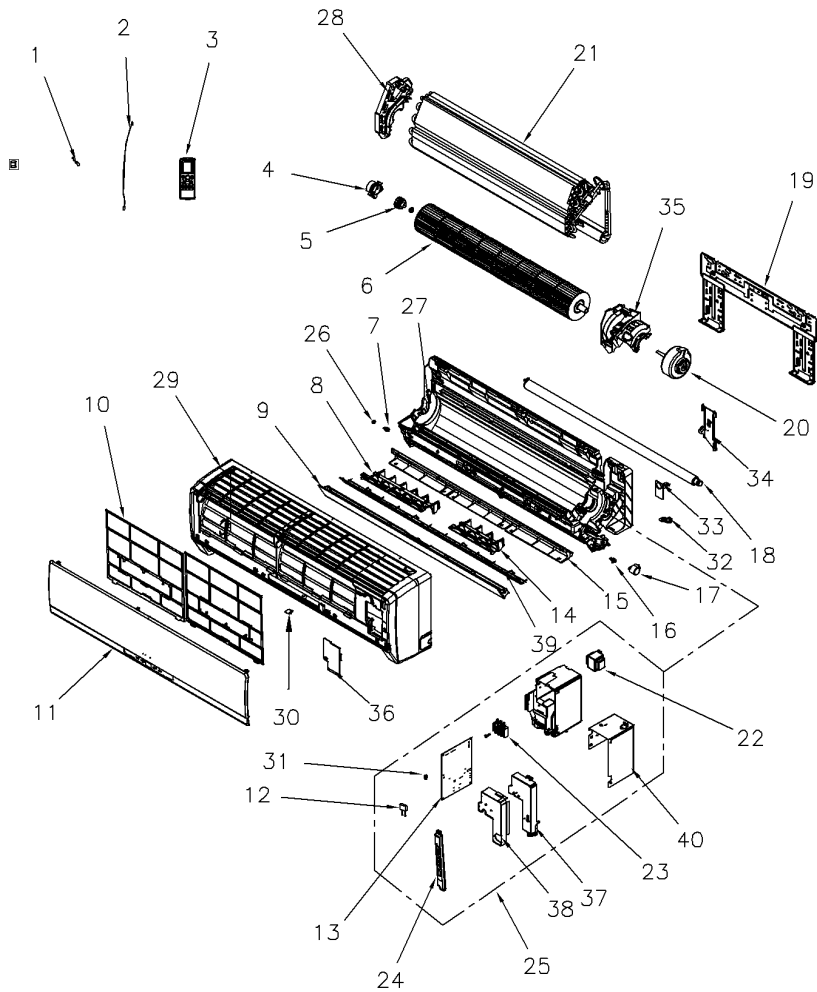
Model Number :4MXW8509A10N0BA

Part No.	Reference No.	Quantity	Description
75009863_MXWUP5_269627~P	*		GENERAL ASSEMBLY PARTS LIST

GENERAL ASSEMBLY

75009863

REV  
B



\* NOT ILLUSTRATED  
TYPICAL ILLUSTRATION

Part No.	Reference No.	Quantity	Description
CAS02033	*	1	CASING; FRONT CASE SUB-ASSY
SEN02279	1	1	SENSOR; TEMPERATURE
SEN01816	2	1	SENSOR; AMBIENT TEMPERATURE SENSOR( 390000453)
CNT06824	3	1	CONTROL; REMOTE
BRG01960	4	1	BEARING; RING
GKT04728	5	1	GASKET; O RING, BEARING
FAN04371	6	1	FAN; CROSS FLOW
BUS02047	7	1	BUSHING; AXILE
LVR00924	8	1	LOUVER; AIR RIGHT, 4 FIN
LVR00941	9	1	LOUVER; GUIDE
FLR07566	10	2	FILTER; SUB-ASSEMBLY
PNL31690	11	1	PANEL; FRONT ASSY
CPT02458	12	1	CAPACITOR; CBB61S 1.5UF/450V(P2/S3)
BRD04333	13	1	BOARD; MAIN
LVR00925	14	1	LOUVER; AIR LEFT, 6 FIN
HNG00981	15	1	HINGE; HELICOID TONGUE
TOL03841	16	1	TOOL; CRANK
MOT14616	17	1	MOTOR; STEPPER
HSE01637	18	1	HOSE; DRAINAGE
FRM02077	19	1	FRAME; WALL MOUNTING
MOT13798	20	1	MOTOR; FAN (15012089)
COL18458	21	1	COIL; ASSEMBLY, EVAPORATOR
TRR02449	22	1	TRANSFORMER; HIGH FREQUENCY
BRD02648	23	1	BOARD; TERMINAL,
BRD04355	24	1	BOARD; DISPLAY
CNT06810	25	1	CONTROL; ELECTRIC BOX ASSEMBLY
BUS02159	26	1	BUSHING; LEFT AXILE
PAN03891	27	1	PAN; DRAIN
SUP05540	28	1	SUPPORT; EVAPORATOR
CAS02033	29	1	CASING; FRONT CASE SUB-ASSY
COV05062	30	1	COVER; SCREW
CON01816	31	1	CONNECTOR; JUMPING
PLU01245	32	1	PLUG; DRAIN PAN
PLT05865	33	1	PLATE; CABLE
CMP01516	34	1	CLAMP; CONNECTING PIPE
PLT05867	35	1	PLATE; MOTOR
COV05254	36	1	COVER; ELECTRIC BOX COVER2
COV04806	37	1	COVER; INNER ELECTRICAL BOX, PLASTIC
BOX02878	38	1	BOX; ELECTRIC SHIELD COVER, METAL
LVR01216	39	1	LOUVER; GUIDE, REAR GRILL
BOX02877	40	1	BOX; ELECTRIC, LOWER SHEILD

ACCESSORIES INDOOR UNITS

75009915

REV  
B

\* NOT ILLUSTRATED



All orderable Service Parts are identified for this product.  
Parts that are not identified, will not be available to order.  
This is a typical illustration. The unit in the field may not appear exactly as shown.

ACCESSORIES

Parts List Number :MXWUP5#MXWUP5

Model Number :4MXW8509A10N0BA

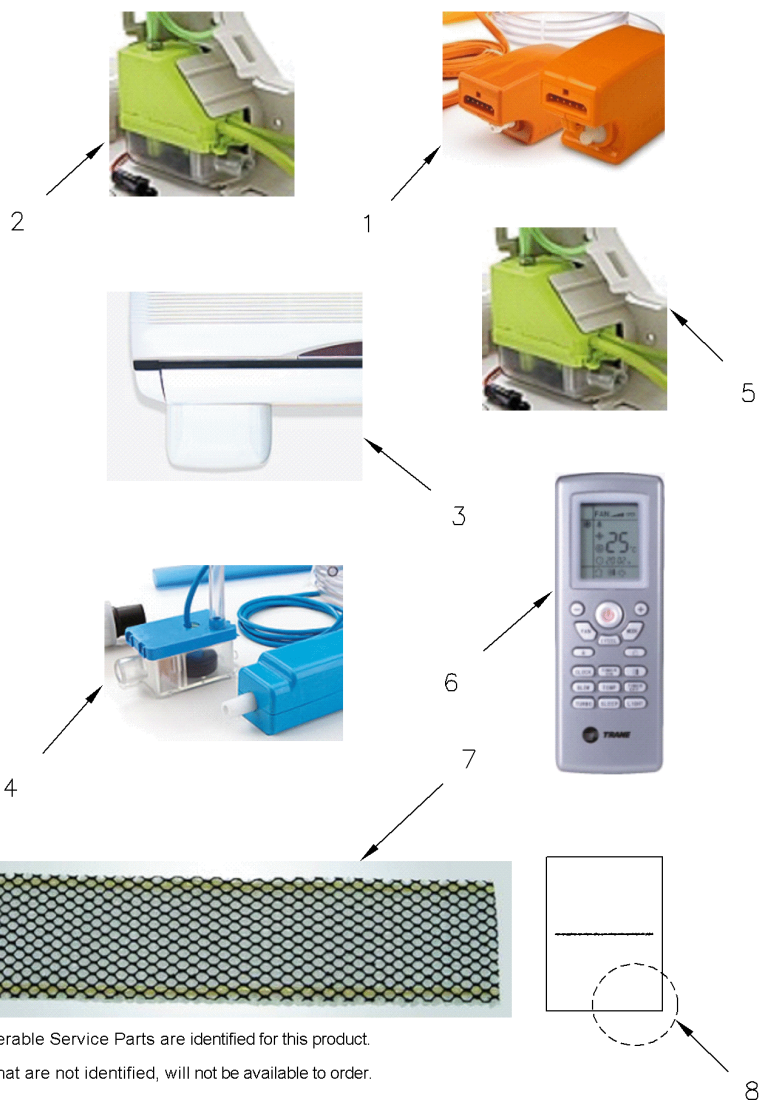
Part No.	Reference No.	Quantity	Description
75009915_MXWUP5_201439~P	*		ACCESSORIES PARTS LIST

ACCESSORIES INDOOR UNITS

75009915

REV  
B

\* NOT ILLUSTRATED



All orderable Service Parts are identified for this product.  
Parts that are not identified, will not be available to order.  
This is a typical illustration. The unit in the field may not appear exactly as shown.

<b>Part No.</b>	<b>Reference No.</b>	<b>Quantity</b>	<b>Description</b>
PMP01703	1	1	PUMP; MINI ORANGE CONDENSATE PUMP FOR MINI-SPLIT A/C SYSTEMS, 230V
PMP01705	2	1	PUMP; MINI LIME CONDENSATE PUMP FOR MINI-SPLIT A/C SYSTEMS, 230V
PMP01806	3	1	PUMP; MINI WHITE CONDENSATE PUMP FOR MINI-SPLIT A/C SYSTEMS, 230V
PMP01920	4	1	PUMP; MINI AQUA PUMP KIT 230V
PMP01914	5	1	PUMP; MAXI-LIME SLIM DUCT PUMP KIT; 230V WITH DUCT
CNT06868	6	1	CONTROL; REMOTE CONTROLLER, TRANE BRAND
CNT06869	6	1	CONTROL; REMOTE CONTROLLER, AMERICAN STANDARD BRAND
FLR07580	7	1	FILTER; REPLACEMENT FILTER MEDIA; 2-PACK MEDIA, 1 CARBON MEDIA FILTER AND 1 CATECHIN MEDIA

		Linesets for RS Multi-Split Launch			75009913
		Size and Length	Used for	Models (Trane Indoor Unit P/Ns)	
1	KIT16423	¼ x 3/8 – 25'	18 SEER 9MBh & 12 MBh	4MXW8509A10N0BA 4MXW8509A10N0CA	4MXW8512A10N0BA 4MXW8512A10N0CA
2	KIT16424	¼ x 3/8 – 35'	18 SEER 9MBh & 12 MBh	4MXW8509A10N0BA 4MXW8509A10N0CA	4MXW8512A10N0BA 4MXW8512A10N0CA
3	KIT15228	¼ x 3/8 – 50'	18 SEER 9MBh & 12 MBh	4MXW8509A10N0BA 4MXW8509A10N0CA	4MXW8512A10N0BA 4MXW8512A10N0CA
4	KIT16425	¼ x ½ - 25'	18 SEER 18MBh	4MXW8518A10N0BA 4MXW8518A10N0CA	
5	KIT16426	¼ x ½ - 35'	18 SEER 18MBh	4MXW8518A10N0BA 4MXW8518A10N0CA	
6	KIT15229	¼ x ½ - 50'	18 SEER 18MBh	4MXW8518A10N0BA 4MXW8518A10N0CA	

Parts List Number :MXWUP5#MXWUP5

Model Number :4MXW8509A10N0BA

Part No.	Reference No.	Quantity	Description
75009913_MXWUP5_269628~P	*		LINESETS ACCESSORIES PARTS LIST

		Linesets for RS Multi-Split Launch			75009913
		Size and Length	Used for	Models (Trane Indoor Unit P/Ns)	
1	KIT16423	¼ x 3/8 – 25'	18 SEER 9MBh & 12 MBh	4MXW8509A10N0BA 4MXW8509A10N0CA	4MXW8512A10N0BA 4MXW8512A10N0CA
2	KIT16424	¼ x 3/8 – 35'	18 SEER 9MBh & 12 MBh	4MXW8509A10N0BA 4MXW8509A10N0CA	4MXW8512A10N0BA 4MXW8512A10N0CA
3	KIT15228	¼ x 3/8 – 50'	18 SEER 9MBh & 12 MBh	4MXW8509A10N0BA 4MXW8509A10N0CA	4MXW8512A10N0BA 4MXW8512A10N0CA
4	KIT16425	¼ x ½ - 25'	18 SEER 18MBh	4MXW8518A10N0BA 4MXW8518A10N0CA	
5	KIT16426	¼ x ½ - 35'	18 SEER 18MBh	4MXW8518A10N0BA 4MXW8518A10N0CA	
6	KIT15229	¼ x ½ - 50'	18 SEER 18MBh	4MXW8518A10N0BA 4MXW8518A10N0CA	

Part No.	Reference No.	Quantity	Description
KIT16423	1	1	LINE SET; 1/4 X 3/8 X 1/2 X 25FT MINI-SPLIT NO BEND, NO PLAIN END, HAS FLARE FITTINGS, NO CONTROL WIRE MUE 40620250B3B6
KIT16424	2	1	LINE SET; 1/4 X 3/8 X 1/2 X 35FT MINI-SPLIT NO BEND, NO PLAIN END, HAS FLARE FITTINGS, NO CONTROL WIRE MUE 40620350B3B6
KIT15228	3	1	LINE SET; 1/4 X 3/8 X 1/2 X 50FT MINI-SPLIT NO BEND, NO PLAIN END, HAS FLARE FITTINGS, NO CONTROL WIRE MUE 40620500B3B6