

Part No.	Reference No.	Quantity	Description
75009915#MXWUP4~S	*		ACCESSORIES
75009851#MXWUP4~S	*		GENERAL ASSEMBLY
75009848#MXWUP4~S	*		MODEL NOMENCLATURE
MXWUP4_MXWUP4_290886~P	*		MXWUP4 PARTS LIST

NO GRAPHIC AVAILABLE

75013702

REV
A

**NO
GRAPHIC
AVAILABLE**

MODEL NOMENCLATURE

75009848

REV
A

Indoor Unit – Inverter High Wall Systems

Model Number Example

4 M X W 6 5 1 2 A 1 0 N 0 B A
1 2 3 4 5 6 7 8 9 10 11 12 13 14 15

Digit 1 = Refrigerant

4 = R-410a

Digit 2 = Brand Name

M = Mini-Split High Wall Unit

Digit 3 = Functional Type

X = Heat Pump

Y = Cooling Only Inverter

Digit 4 = Configuration Indoor Unit

W = High Wall Unit

Digit 5 = Efficiency Tier

6 = 16+ SEER

8 = 18+ SEER

Digit 6 = Connection Type

5 = Flare

Digit 7,8 = Nominal Capacity

(Btu/h x 1,000)

09 = 9,000 Btu/h

12 = 12,000 Btu/h

18 = 18,000 Btu/h

24 = 24,000 Btu/h

30 = 30,000 Btu/h

36 = 36,000 Btu/h

Digit 9 = Major Development Sequence

A = First Development Sequence

Digit 10 = Electric Power Supply Characteristics

1 = 208-230/60/1

Digit 11 = Reserved for Future Use

0 = Not Currently Used

Digit 12 = Regional Markets Served

N = North America Market

Digit 13 = Reserved for Future Use

0 = Not Currently Used

Digit 14 = Minor Design Sequence

A = First Design Sequence

B = Second Design Sequence

Digit 15 = Service Digit

A = First Sequence

Part No.	Reference No.	Quantity	Description
75009848_MXWUP4_290887~P	*		MODEL NOMENCLATURE PARTS LIST

MODEL NOMENCLATURE

75009848

REV
A

Indoor Unit – Inverter High Wall Systems

Model Number Example
4 M X W 6 5 1 2 A 1 0 N 0 B A
1 2 3 4 5 6 7 8 9 10 11 12 13 14 15

Digit 1 = Refrigerant
4 = R-410a

Digit 2 = Brand Name
M = Mini-Split High Wall Unit

Digit 3 = Functional Type
X = Heat Pump
Y = Cooling Only Inverter

Digit 4 = Configuration Indoor Unit
W = High Wall Unit

Digit 5 = Efficiency Tier
6 = 16+ SEER
8 = 18+ SEER

Digit 6 = Connection Type
5 = Flare

Digit 7,8 = Nominal Capacity
(Btu/h x 1,000)

09 = 9,000 Btu/h
12 = 12,000 Btu/h
18 = 18,000 Btu/h
24 = 24,000 Btu/h
30 = 30,000 Btu/h
36 = 36,000 Btu/h

Digit 9 = Major Development Sequence
A = First Development Sequence

Digit 10 = Electric Power Supply Characteristics
1 = 208-230/60/1

Digit 11 = Reserved for Future Use
0 = Not Currently Used

Digit 12 = Regional Markets Served
N = North America Market

Digit 13 = Reserved for Future Use
0 = Not Currently Used

Digit 14 = Minor Design Sequence
A = First Design Sequence
B = Second Design Sequence

Digit 15 = Service Digit
A = First Sequence

Parts List Number :MXWUP4#MXWUP4

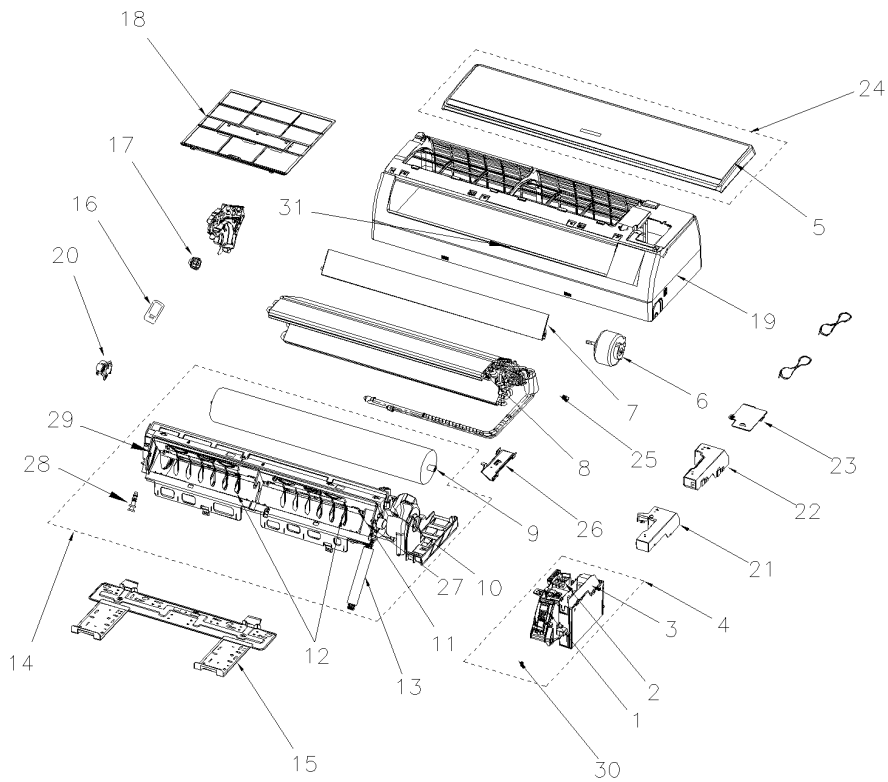
Model Number :4MXW6524A10N0BA

Part No.	Reference No.	Quantity	Description
75009851_MXWUP4_353707~P	*		GENERAL ASSEMBLY PARTS LIST

GENERAL ASSEMBLY

75009851

REV
B



* NOT ILLUSTRATED
TYPICAL ILLUSTRATION

Part No.	Reference No.	Quantity	Description
PAN03850	*	1	PAN; DRAIN REAR CASE
SEN01816	*	1	SENSOR; AMBIENT TEMPERATURE SENSOR(390000453)
BRD03951	1	1	BOARD; DISPLAY BOARD(30568112)
BRD02648	2	1	BOARD; TERMINAL,
BRD03947	3	1	BOARD; MAIN BOARD(30138517)
BOX01861	4	1	BOX; ELECTRIC BOX ASSY(2020230202)
PNL28903	5	1	PANEL; FRONT
MOT13799	6	1	MOTOR; FAN (1501209801)
GID00113	7	1	GUIDE; GUIDE LOUVER(10512138)
EVP01515	8	1	EVAPORATOR; EVAPORATOR ASSY(01002269)
FAN04373	9	1	FAN; CROSS FLOW (10352030)
MOT13801	10	1	MOTOR; STEP (1521300101)
HNG00977	11	1	HINGE; HELICOID TONGUE
LVR00943	12	3	LOUVER; AIR LOUVER(10512139)
HSE01638	13	1	HOSE; DRAINAGE HOSE
PAN03924	14	1	PAN; DRAIN PAN
FRM02078	15	1	FRAME; WALL MOUNTING
CNT06822	16	1	CONTROL; REMOTE
GKT04728	17	1	GASKET; O RING, BEARING
FLR07206	18	2	FILTER; SUB-ASSY (11122091)
CAS01849	19	1	CASING; FRONT CASE ASSY(2001251401)
BRG01961	20	1	BEARING; RING
COV05260	21	1	COVER; ELECTRIC BOX
COV05258	22	1	COVER; SHIELD OF ELECTRIC BOX COVER
COV04803	23	1	COVER; ELECTRIC BOX 2
PNL34459	24	1	PANEL; FRONT ASSY
BUS02047	25	1	BUSHING; AXILE
COV05105	26	1	COVER; REFRIGERANT PIPE
TOL03841	27	1	TOOL; CRANK
PLU01245	28	1	PLUG; DRAIN PAN
BUS02159	29	1	BUSHING; LEFT AXILE
BKR02565	30	1	BREAKER; JUMPER CAP
COV05062	31	1	COVER; SCREW

ACCESSORIES INDOOR UNITS

75009915

REV
B

* NOT ILLUSTRATED



All orderable Service Parts are identified for this product.
Parts that are not identified, will not be available to order.
This is a typical illustration. The unit in the field may not appear exactly as shown.

Parts List Number :MXWUP4#MXWUP4

Model Number :4MXW6524A10N0BA

Part No.	Reference No.	Quantity	Description
75009915_MXWUP4_290891~P	*		ACCESSORIES PARTS LIST

ACCESSORIES INDOOR UNITS

75009915

REV
B

* NOT ILLUSTRATED



All orderable Service Parts are identified for this product.
Parts that are not identified, will not be available to order.
This is a typical illustration. The unit in the field may not appear exactly as shown.

Part No.	Reference No.	Quantity	Description
HLD00507	*	1	HOLDER; REMOTE
PMP01703	1	1	PUMP; MINI ORANGE CONDENSATE PUMP FOR MINI-SPLIT A/C SYSTEMS, 230V
PMP01705	2	1	PUMP; MINI LIME CONDENSATE PUMP FOR MINI-SPLIT A/C SYSTEMS, 230V
PMP01806	3	1	PUMP; MINI WHITE CONDENSATE PUMP FOR MINI-SPLIT A/C SYSTEMS, 230V
PMP01920	4	1	PUMP; MINI AQUA PUMP KIT 230V
PMP01914	5	1	PUMP; MAXI-LIME SLIM DUCT PUMP KIT; 230V WITH DUCT
CNT06868	6	1	CONTROL; REMOTE CONTROLLER, TRANE BRAND
CNT06869	6	1	CONTROL; REMOTE CONTROLLER, AMERICAN STANDARD BRAND
FLR07580	7	1	FILTER; REPLACEMENT FILTER MEDIA; 2-PACK MEDIA, 1 CARBON MEDIA FILTER AND 1 CATECHIN MEDIA