

| Part No. | Reference No. | Quantity | Description |
|------------------------|----------------------|-----------------|--------------------|
| 75009915#MXWUP4~S | * | | ACCESSORIES |
| 75009851#MXWUP4~S | * | | GENERAL ASSEMBLY |
| 75009848#MXWUP4~S | * | | MODEL NOMENCLATURE |
| MXWUP4_MXWUP4_290886~P | * | | MXWUP4 PARTS LIST |

NO GRAPHIC AVAILABLE

75013702

REV
A

**NO
GRAPHIC
AVAILABLE**

MODEL NOMENCLATURE

75009848

REV
A

Indoor Unit – Inverter High Wall Systems

Model Number Example

4 M X W 6 5 1 2 A 1 0 N 0 B A
1 2 3 4 5 6 7 8 9 10 11 12 13 14 15

Digit 1 = Refrigerant

4 = R-410a

Digit 2 = Brand Name

M = Mini-Split High Wall Unit

Digit 3 = Functional Type

X = Heat Pump

Y = Cooling Only Inverter

Digit 4 = Configuration Indoor Unit

W = High Wall Unit

Digit 5 = Efficiency Tier

6 = 16+ SEER

8 = 18+ SEER

Digit 6 = Connection Type

5 = Flare

Digit 7,8 = Nominal Capacity

(Btu/h x 1,000)

09 = 9,000 Btu/h

12 = 12,000 Btu/h

18 = 18,000 Btu/h

24 = 24,000 Btu/h

30 = 30,000 Btu/h

36 = 36,000 Btu/h

Digit 9 = Major Development Sequence

A = First Development Sequence

Digit 10 = Electric Power Supply Characteristics

1 = 208-230/60/1

Digit 11 = Reserved for Future Use

0 = Not Currently Used

Digit 12 = Regional Markets Served

N = North America Market

Digit 13 = Reserved for Future Use

0 = Not Currently Used

Digit 14 = Minor Design Sequence

A = First Design Sequence

B = Second Design Sequence

Digit 15 = Service Digit

A = First Sequence

| Part No. | Reference No. | Quantity | Description |
|--------------------------|---------------|----------|-------------------------------|
| 75009848_MXWUP4_290887~P | * | | MODEL NOMENCLATURE PARTS LIST |

MODEL NOMENCLATURE

75009848

REV
A

Indoor Unit – Inverter High Wall Systems

Model Number Example
4 M X W 6 5 1 2 A 1 0 N 0 B A
1 2 3 4 5 6 7 8 9 10 11 12 13 14 15

Digit 1 = Refrigerant
4 = R-410a

Digit 2 = Brand Name
M = Mini-Split High Wall Unit

Digit 3 = Functional Type
X = Heat Pump
Y = Cooling Only Inverter

Digit 4 = Configuration Indoor Unit
W = High Wall Unit

Digit 5 = Efficiency Tier
6 = 16+ SEER
8 = 18+ SEER

Digit 6 = Connection Type
5 = Flare

Digit 7,8 = Nominal Capacity
(Btu/h x 1,000)

09 = 9,000 Btu/h
12 = 12,000 Btu/h
18 = 18,000 Btu/h
24 = 24,000 Btu/h
30 = 30,000 Btu/h
36 = 36,000 Btu/h

Digit 9 = Major Development Sequence
A = First Development Sequence

Digit 10 = Electric Power Supply Characteristics
1 = 208-230/60/1

Digit 11 = Reserved for Future Use
0 = Not Currently Used

Digit 12 = Regional Markets Served
N = North America Market

Digit 13 = Reserved for Future Use
0 = Not Currently Used

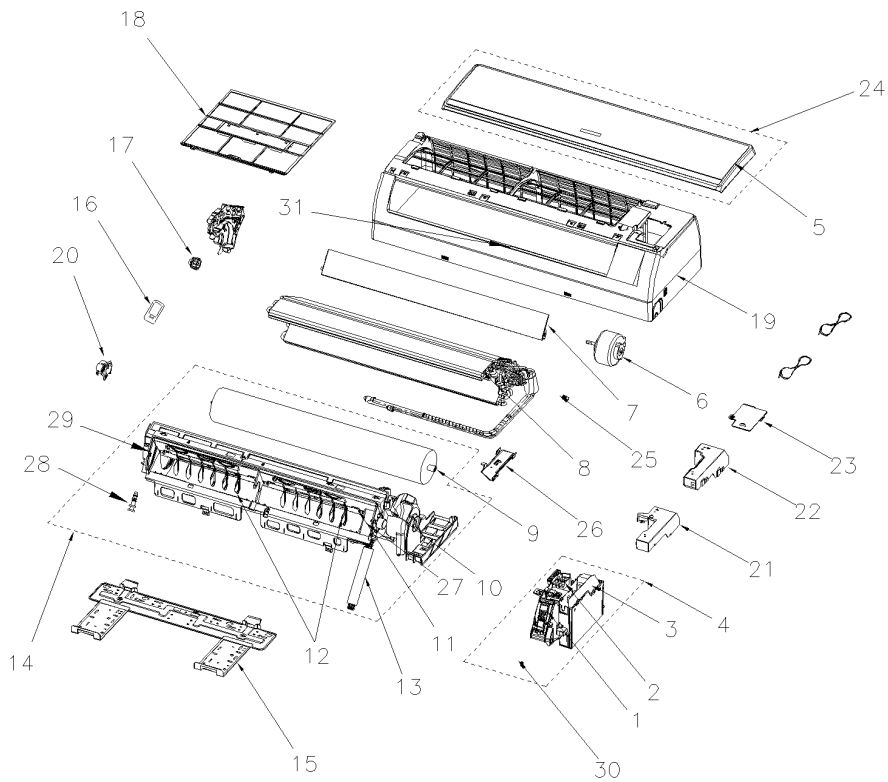
Digit 14 = Minor Design Sequence
A = First Design Sequence
B = Second Design Sequence

Digit 15 = Service Digit
A = First Sequence

GENERAL ASSEMBLY

75009851

REV
B



* NOT ILLUSTRATED
TYPICAL ILLUSTRATION

Parts List Number :MXWUP4#MXWUP4

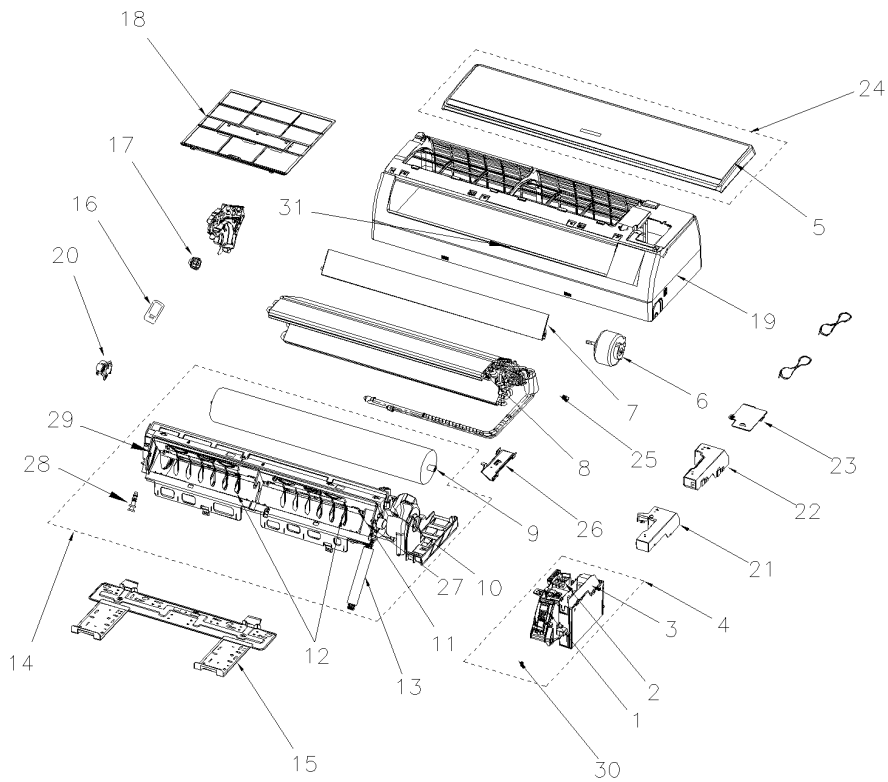
Model Number :4MXW6518A10NOBA

| Part No. | Reference No. | Quantity | Description |
|--------------------------|---------------|----------|-----------------------------|
| 75009851_MXWUP4_290888~P | * | | GENERAL ASSEMBLY PARTS LIST |

GENERAL ASSEMBLY

75009851

REV
B



* NOT ILLUSTRATED
TYPICAL ILLUSTRATION

| Part No. | Reference No. | Quantity | Description |
|----------|---------------|----------|--|
| SEN01816 | * | 1 | SENSOR; AMBIENT TEMPERATURE SENSOR(390000453) |
| BRD03951 | 1 | 1 | BOARD; DISPLAY BOARD(30568112) |
| BRD02648 | 2 | 1 | BOARD; TERMINAL, |
| BRD03945 | 3 | 1 | BOARD; MAIN BOARD(30138509) |
| BOX03163 | 4 | 1 | BOX; ELECTRIC ASSY |
| PNL28904 | 5 | 1 | PANEL; FRONT |
| MOT16745 | 6 | 1 | MOTOR; FAN |
| GID00114 | 7 | 1 | GUIDE; GUIDE LOUVER(10512140) |
| COL18447 | 8 | 1 | COIL; ASSEMBLY, EVAPORATOR |
| FAN04439 | 9 | 1 | FAN; CROSS FLOW FAN(10352036) |
| MOT13058 | 10 | 1 | MOTOR; STEP (15012086) |
| HNG00978 | 11 | 1 | HINGE; HELICOID TONGUE |
| LVR00944 | 12 | 2 | LOUVER; AIR LOUVER(10512160) |
| HSE01639 | 13 | 1 | HOSE; DRAINAGE HOSE(0523001407) |
| CAS01845 | 14 | 1 | CASING; REAR CASE ASSY(22202154) |
| FRM01911 | 15 | 1 | FRAME; WALL MOUNTING FRAME(01252484) |
| CNT06825 | 16 | 1 | CONTROL; REMOTE |
| GKT04728 | 17 | 1 | GASKET; O RING, BEARING |
| FLR07242 | 18 | 2 | FILTER; FILTER SUB-ASSY(11122104) |
| CAS01848 | 19 | 1 | CASING; FRONT CASE ASSY(2001249701) |
| BRG01960 | 20 | 1 | BEARING; RING |
| COV05260 | 21 | 1 | COVER; ELECTRIC BOX |
| COV05258 | 22 | 1 | COVER; SHIELD OF ELECTRIC BOX COVER |
| COV05259 | 23 | 1 | COVER; ELECTRIC COVER 2 |
| PNL27139 | 24 | 1 | PANEL; FRONT PANEL ASSY(20012627_K39667) |
| BUS02047 | 25 | 1 | BUSHING; AXILE |
| CMP01516 | 26 | 1 | CLAMP; CONNECTING PIPE |
| TOL03841 | 27 | 1 | TOOL; CRANK |
| PLU01245 | 28 | 1 | PLUG; DRAIN PAN |
| BUS02159 | 29 | 1 | BUSHING; LEFT AXILE |
| CON01861 | 30 | 1 | CONNECTOR; JUMPER |

ACCESSORIES INDOOR UNITS

75009915

REV
B

* NOT ILLUSTRATED



All orderable Service Parts are identified for this product.
Parts that are not identified, will not be available to order.
This is a typical illustration. The unit in the field may not appear exactly as shown.

ACCESSORIES

Parts List Number :MXWUP4#MXWUP4

Model Number :4MXW6518A10NOBA

| Part No. | Reference No. | Quantity | Description |
|--------------------------|---------------|----------|------------------------|
| 75009915_MXWUP4_290891~P | * | | ACCESSORIES PARTS LIST |

ACCESSORIES INDOOR UNITS

75009915

REV
B

* NOT ILLUSTRATED



All orderable Service Parts are identified for this product.
Parts that are not identified, will not be available to order.
This is a typical illustration. The unit in the field may not appear exactly as shown.

| Part No. | Reference No. | Quantity | Description |
|-----------------|----------------------|-----------------|--|
| HLD00507 | * | 1 | HOLDER; REMOTE |
| PMP01703 | 1 | 1 | PUMP; MINI ORANGE CONDENSATE PUMP FOR MINI-SPLIT A/C SYSTEMS, 230V |
| PMP01705 | 2 | 1 | PUMP; MINI LIME CONDENSATE PUMP FOR MINI-SPLIT A/C SYSTEMS, 230V |
| PMP01806 | 3 | 1 | PUMP; MINI WHITE CONDENSATE PUMP FOR MINI-SPLIT A/C SYSTEMS, 230V |
| PMP01920 | 4 | 1 | PUMP; MINI AQUA PUMP KIT 230V |
| PMP01914 | 5 | 1 | PUMP; MAXI-LIME SLIM DUCT PUMP KIT; 230V WITH DUCT |
| CNT06868 | 6 | 1 | CONTROL; REMOTE CONTROLLER, TRANE BRAND |
| CNT06869 | 6 | 1 | CONTROL; REMOTE CONTROLLER, AMERICAN STANDARD BRAND |
| FLR07580 | 7 | 1 | FILTER; REPLACEMENT FILTER MEDIA; 2-PACK MEDIA, 1 CARBON MEDIA FILTER AND 1 CATECHIN MEDIA |