

| Part No. | Reference No. | Quantity | Description |
|------------------------|----------------------|-----------------|--------------------|
| 75009915#MXWUP4~S | * | | ACCESSORIES |
| 75009850#MXWUP4~S | * | | GENERAL ASSEMBLY |
| 75009848#MXWUP4~S | * | | MODEL NOMENCLATURE |
| MXWUP4_MXWUP4_290886~P | * | | MXWUP4 PARTS LIST |

NO GRAPHIC AVAILABLE

75013702

REV
A

**NO
GRAPHIC
AVAILABLE**

MODEL NOMENCLATURE

75009848

REV
A

Indoor Unit – Inverter High Wall Systems

Model Number Example

4 M X W 6 5 1 2 A 1 0 N 0 B A
1 2 3 4 5 6 7 8 9 10 11 12 13 14 15

Digit 1 = Refrigerant
4 = R-410a

Digit 2 = Brand Name
M = Mini-Split High Wall Unit

Digit 3 = Functional Type
X = Heat Pump
Y = Cooling Only Inverter

Digit 4 = Configuration Indoor Unit
W = High Wall Unit

Digit 5 = Efficiency Tier
6 = 16+ SEER
8 = 18+ SEER

Digit 6 = Connection Type
5 = Flare

Digit 7,8 = Nominal Capacity
(Btu/h x 1,000)

09 = 9,000 Btu/h
12 = 12,000 Btu/h
18 = 18,000 Btu/h
24 = 24,000 Btu/h
30 = 30,000 Btu/h
36 = 36,000 Btu/h

Digit 9 = Major Development Sequence
A = First Development Sequence

Digit 10 = Electric Power Supply Characteristics
1 = 208-230/60/1

Digit 11 = Reserved for Future Use
0 = Not Currently Used

Digit 12 = Regional Markets Served
N = North America Market

Digit 13 = Reserved for Future Use
0 = Not Currently Used

Digit 14 = Minor Design Sequence
A = First Design Sequence
B = Second Design Sequence

Digit 15 = Service Digit
A = First Sequence

| Part No. | Reference No. | Quantity | Description |
|--------------------------|---------------|----------|-------------------------------|
| 75009848_MXWUP4_290887~P | * | | MODEL NOMENCLATURE PARTS LIST |

MODEL NOMENCLATURE

75009848

REV
A

Indoor Unit – Inverter High Wall Systems

Model Number Example
4 M X W 6 5 1 2 A 1 0 N 0 B A
1 2 3 4 5 6 7 8 9 10 11 12 13 14 15

Digit 1 = Refrigerant
4 = R-410a

Digit 2 = Brand Name
M = Mini-Split High Wall Unit

Digit 3 = Functional Type
X = Heat Pump
Y = Cooling Only Inverter

Digit 4 = Configuration Indoor Unit
W = High Wall Unit

Digit 5 = Efficiency Tier
6 = 16+ SEER
8 = 18+ SEER

Digit 6 = Connection Type
5 = Flare

Digit 7,8 = Nominal Capacity
(Btu/h x 1,000)

09 = 9,000 Btu/h
12 = 12,000 Btu/h
18 = 18,000 Btu/h
24 = 24,000 Btu/h
30 = 30,000 Btu/h
36 = 36,000 Btu/h

Digit 9 = Major Development Sequence
A = First Development Sequence

Digit 10 = Electric Power Supply Characteristics
1 = 208-230/60/1

Digit 11 = Reserved for Future Use
0 = Not Currently Used

Digit 12 = Regional Markets Served
N = North America Market

Digit 13 = Reserved for Future Use
0 = Not Currently Used

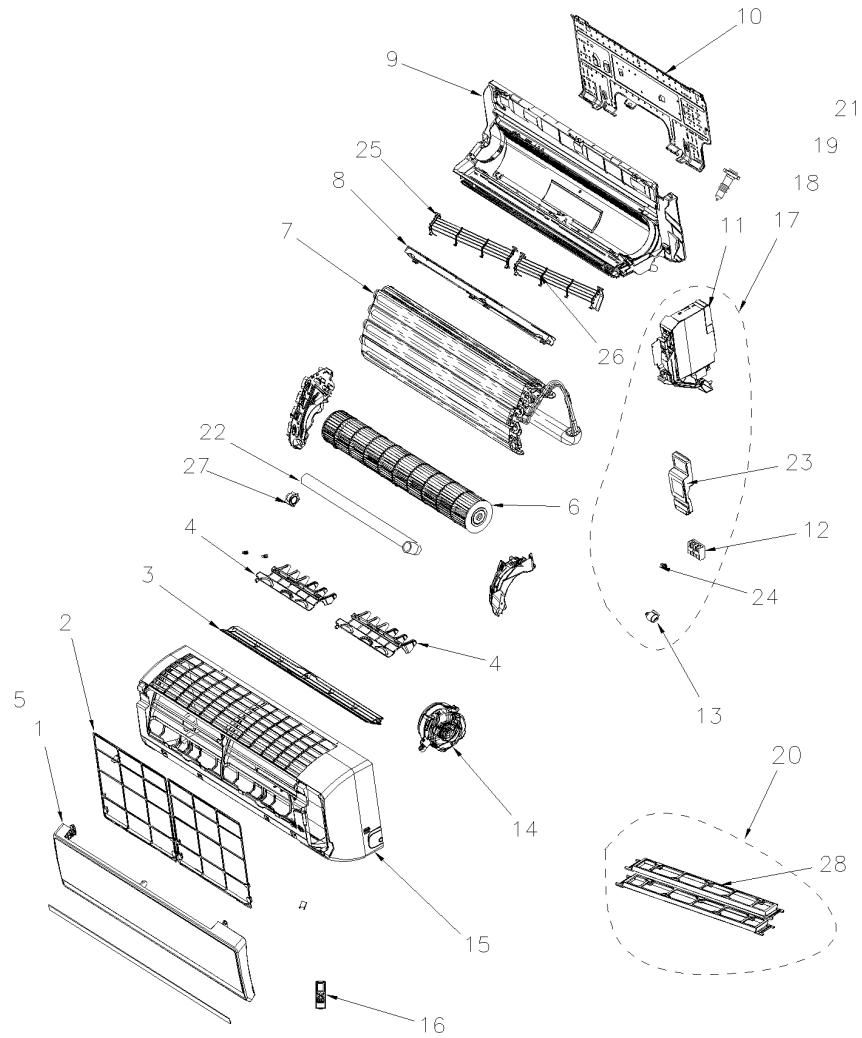
Digit 14 = Minor Design Sequence
A = First Design Sequence
B = Second Design Sequence

Digit 15 = Service Digit
A = First Sequence

GENERAL ASSEMBLY

75009850

REV
B



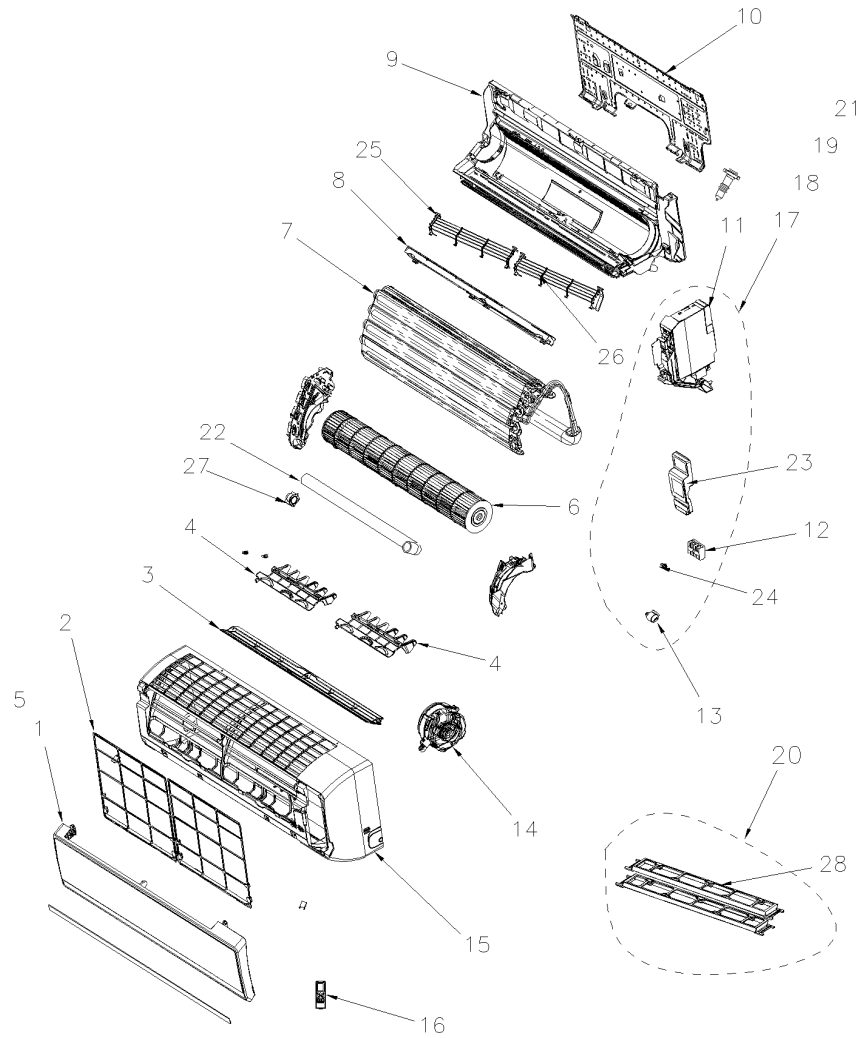
* NOT ILLUSTRATED
TYPICAL ILLUSTRATION

| Part No. | Reference No. | Quantity | Description |
|--------------------------|---------------|----------|-----------------------------|
| 75009850_MXWUP4_331277~P | * | | GENERAL ASSEMBLY PARTS LIST |

GENERAL ASSEMBLY

75009850

REV
B



* NOT ILLUSTRATED
TYPICAL ILLUSTRATION

| Part No. | Reference No. | Quantity | Description |
|----------|---------------|----------|--|
| BRD05201 | * | 1 | BOARD; DISPLAY |
| PNL28902 | 1 | 1 | PANEL; THREE FRONT |
| FLR07245 | 2 | 2 | FILTER; FILTER SUB-ASSY(1112208201) |
| GID00112 | 3 | 1 | GUIDE; GUIDE LOUVER(10512119) |
| LVR00944 | 4 | 2 | LOUVER; AIR LOUVER(10512160) |
| PNL28901 | 5 | 1 | PANEL; ASSEMBLY, FRONT SUB-ASSEMBLY |
| FAN04440 | 6 | 1 | FAN; CROSS FLOW FAN(10352423) |
| EVP01516 | 7 | 1 | EVAPORATOR; EVAPORATOR ASSY(01002270) |
| HNG00980 | 8 | 1 | HINGE; HELICOID TONGUE |
| CAS01850 | 9 | 1 | CASING; REAR CASE ASSY(2220211902) |
| FRM02081 | 10 | 1 | FRAME; WALL MOUNTING |
| CNT06813 | 11 | 1 | CONTROL; ELECTRIC BOX ASSEMBLY |
| BRD02648 | 12 | 1 | BOARD; TERMINAL, |
| MOT13898 | 13 | 1 | MOTOR; STEP MOTOR(1521210701) |
| MOT13896 | 14 | 1 | MOTOR; FAN MOTOR(1501209301) |
| CAS01847 | 15 | 1 | CASING; FRONT CASE ASSY(2001237501) |
| CNT06825 | 16 | 1 | CONTROL; REMOTE |
| BRD04351 | 17 | 1 | BOARD; MAIN |
| CPT02073 | 18 | 1 | CAPACITOR; CBB61 |
| SEN02349 | 19 | 1 | SENSOR; DISCHARGE AIR SENSOR |
| FRM02080 | 20 | 1 | FRAME; CATECHIN SUB-ASSEMBLY |
| CNT06817 | 21 | 1 | CONTROL; ELECTRIC BOX SUB-ASSEMBLY |
| PIP01375 | 22 | 1 | PIPE; ASSEMBLY, DRAINAGE |
| COV04867 | 23 | 1 | COVER; ELECTRIC BOX COVER SUB-ASSY |
| LVR01187 | 24 | 1 | LOUVER; SIDE GUIDE |
| GRL02075 | 25 | 1 | GRILLE; REAR SUB ASSY |
| GRL02074 | 26 | 1 | GRILLE; REAR SUB ASSY 2 |
| BUS02191 | 27 | 1 | BUSHING; AXILE, SUB ASSY |
| SUP06218 | 28 | 1 | SUPPORT; OF CATECHIN |

ACCESSORIES INDOOR UNITS

75009915

REV
B

* NOT ILLUSTRATED



All orderable Service Parts are identified for this product.
Parts that are not identified, will not be available to order.
This is a typical illustration. The unit in the field may not appear exactly as shown.

ACCESSORIES

Parts List Number :MXWUP4#MXWUP4

Model Number :4MXW6509A10N0BA

| Part No. | Reference No. | Quantity | Description |
|--------------------------|---------------|----------|------------------------|
| 75009915_MXWUP4_331278~P | * | | ACCESSORIES PARTS LIST |

ACCESSORIES INDOOR UNITS

75009915

REV
B

* NOT ILLUSTRATED



All orderable Service Parts are identified for this product.
Parts that are not identified, will not be available to order.
This is a typical illustration. The unit in the field may not appear exactly as shown.

| Part No. | Reference No. | Quantity | Description |
|----------|---------------|----------|---|
| HLD00507 | * | 1 | HOLDER; REMOTE |
| PMP01703 | 1 | 1 | PUMP; MINI ORANGE CONDENSATE PUMP FOR MINI-SPLIT A/C SYSTEMS, 230V |
| PMP01705 | 2 | 1 | PUMP; MINI LIME CONDENSATE PUMP FOR MINI-SPLIT A/C SYSTEMS, 230V |
| PMP01806 | 3 | 1 | PUMP; MINI WHITE CONDENSATE PUMP FOR MINI-SPLIT A/C SYSTEMS, 230V |
| PMP01920 | 4 | 1 | PUMP; MINI AQUA PUMP KIT 230V |
| PMP01914 | 5 | 1 | PUMP; MAXI-LIME SLIM DUCT PUMP KIT; 230V WITH DUCT |
| CNT06868 | 6 | 1 | CONTROL; REMOTE CONTROLLER, TRANE BRAND |
| CNT06869 | 6 | 1 | CONTROL; REMOTE CONTROLLER, AMERICAN STANDARD BRAND |
| FLR07582 | 7 | 1 | FILTER; REPLACEMENT FILTER MEDIA; 2-PACK MEDIA, 1 CARBON MEDIA FILTER AND 1 CATECHIN MEDIA FILTER |