

| Part No. | Reference No. | Quantity | Description |
|------------------------------|----------------------|-----------------|--|
| 75011638#4MXWUP4~S | * | | 1.5 TON INDOOR CONTROLS & ELECTRIC BOX SECTION |
| 75011637#4MXWUP4~S | * | | 1.5 TON INDOOR GENERAL ASSEMBLY SECTION |
| 4MXWUP4_4MXWUP4_177652~ P | * | | 4MXWUP4 PARTS LIST |
| 75011610#4MXWUP4~S | * | | INDOOR MODEL NOMENCLATURE |

NO GRAPHIC AVAILABLE

75013702

REV
A

**NO
GRAPHIC
AVAILABLE**

| | | |
|---|----------|-----------|
| MODEL NUMBER DESCRIPTION | 75011610 | REV. A |
| Amber IDU | | |
| <i>Example Model Number:</i> 4MXW3809A10NUAA <small>1 - - - 5 - - - 10 - - - 15</small> | | |
| Digit 1 – Refrigerant 4 = R410A | | |
| Digit 2 – Unit Type M = Indoor Unit | | |
| Digit 3 – Functional Type X = Heat Pump Inverter | | |
| Digit 4 W = High Wall Unit | | |
| Digit 5, 6 – Efficiency Tier 38 = up to 38 SEER Ultra Low | | |
| Digit 7, 8 – Nominal Capacity (Btu/h x 1,000) 09 = 9,000 Btu/h 12 = 12,000 Btu/h 18 = 18,000 Btu/h 24 = 24,000 Btu/h | | |
| Digit 9 – Major Development Sequence A = First Development Sequence B = Second Development Sequence | | |
| Digit 10 – Electric Power Supply Characteristics 1 = 208-230/60/1 | | |
| Digit 11 – Open for future development 0 = Unused | | |
| Digit 12 – Configuration Indoor Unit Regional Markets Served (1:1 Systems) N = North America Market | | |
| Digit 13 – Special Series Designator U = Ultra Low Ambient | | |
| Digit 14 – Minor Design Sequence A = First Design Sequence B = Second Design Sequence | | |
| Digit 15 – Service Digit | | |
| 1 of 1 | | |

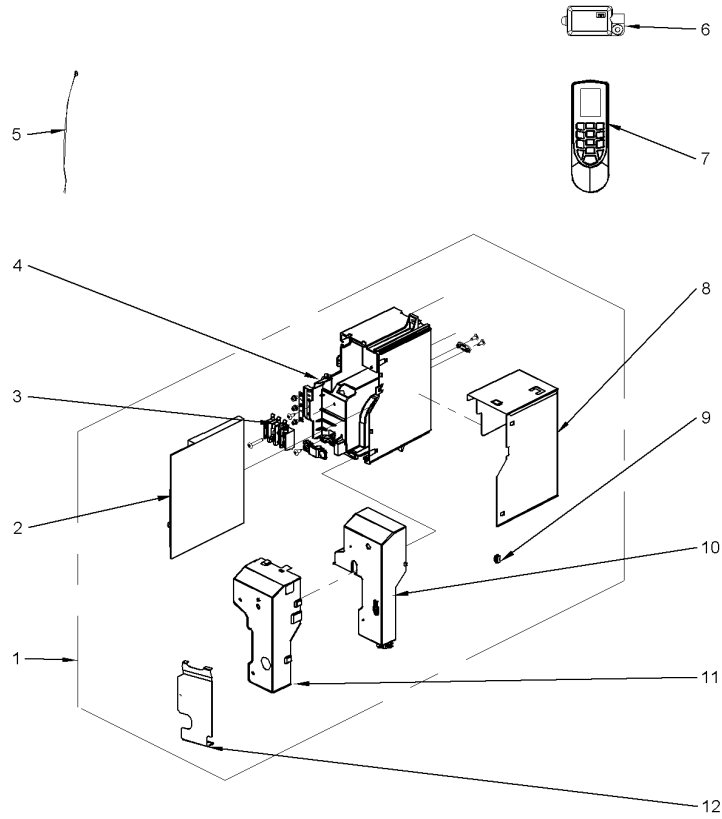
| Part No. | Reference No. | Quantity | Description |
|---------------------------|---------------|----------|--------------------------------------|
| 75011610_4MXWUP4_257419~P | * | | INDOOR MODEL NOMENCLATURE PARTS LIST |

| MODEL NUMBER DESCRIPTION | 75011610 | REV. A |
|---|----------|-----------|
| Amber IDU | | |
| <i>Example Model Number:</i> 4MXW3809A10NUAA <small>1 - - - 5 - - - 10 - - - 15</small> | | |
| Digit 1 – Refrigerant 4 = R410A | | |
| Digit 2 – Unit Type M = Indoor Unit | | |
| Digit 3 – Functional Type X = Heat Pump Inverter | | |
| Digit 4 W = High Wall Unit | | |
| Digit 5, 6 – Efficiency Tier 38 = up to 38 SEER Ultra Low | | |
| Digit 7, 8 – Nominal Capacity (Btu/h x 1,000) 09 = 9,000 Btu/h 12 = 12,000 Btu/h 18 = 18,000 Btu/h 24 = 24,000 Btu/h | | |
| Digit 9 – Major Development Sequence A = First Development Sequence B = Second Development Sequence | | |
| Digit 10 – Electric Power Supply Characteristics 1 = 208-230/60/1 | | |
| Digit 11 – Open for future development 0 = Unused | | |
| Digit 12 – Configuration Indoor Unit Regional Markets Served (1:1 Systems) N = North America Market | | |
| Digit 13 – Special Series Designator U = Ultra Low Ambient | | |
| Digit 14 – Minor Design Sequence A = First Design Sequence B = Second Design Sequence | | |
| Digit 15 – Service Digit | | |

INDOOR ULTRA LOW AMBIENT MS AMBER
1.5 TON CONTROLS & ELECTRIC BOX SECTION

75011638

REV.
A



All orderable Service Parts are identified for this product.

Parts that are not identified, will not be available to order.

This is a typical illustration. The unit in the field may not appear exactly as shown.

Parts List Number :4MXWUP4#4MXWUP4

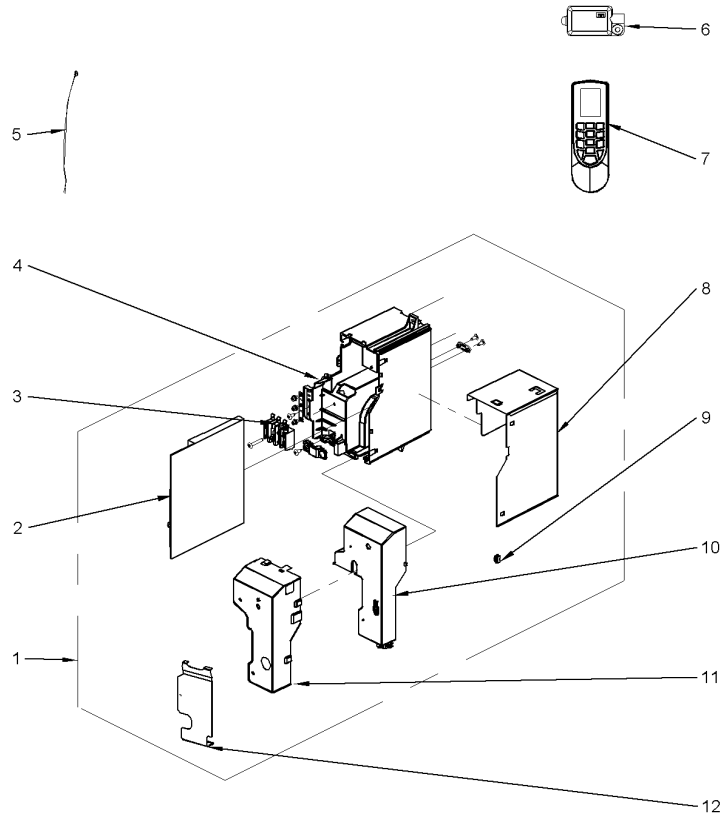
Model Number :4MXW3818A10NUAA

| Part No. | Reference No. | Quantity | Description |
|---------------------------|---------------|----------|---|
| 75011638_4MXWUP4_307875~P | * | | 1.5 TON INDOOR CONTROLS & ELECTRIC BOX SECTION PARTS LIST |

INDOOR ULTRA LOW AMBIENT MS AMBER
1.5 TON CONTROLS & ELECTRIC BOX SECTION

75011638

REV.
A



All orderable Service Parts are identified for this product.

Parts that are not identified, will not be available to order.

This is a typical illustration. The unit in the field may not appear exactly as shown.

Parts List Number :4MXWUP4#4MXWUP4

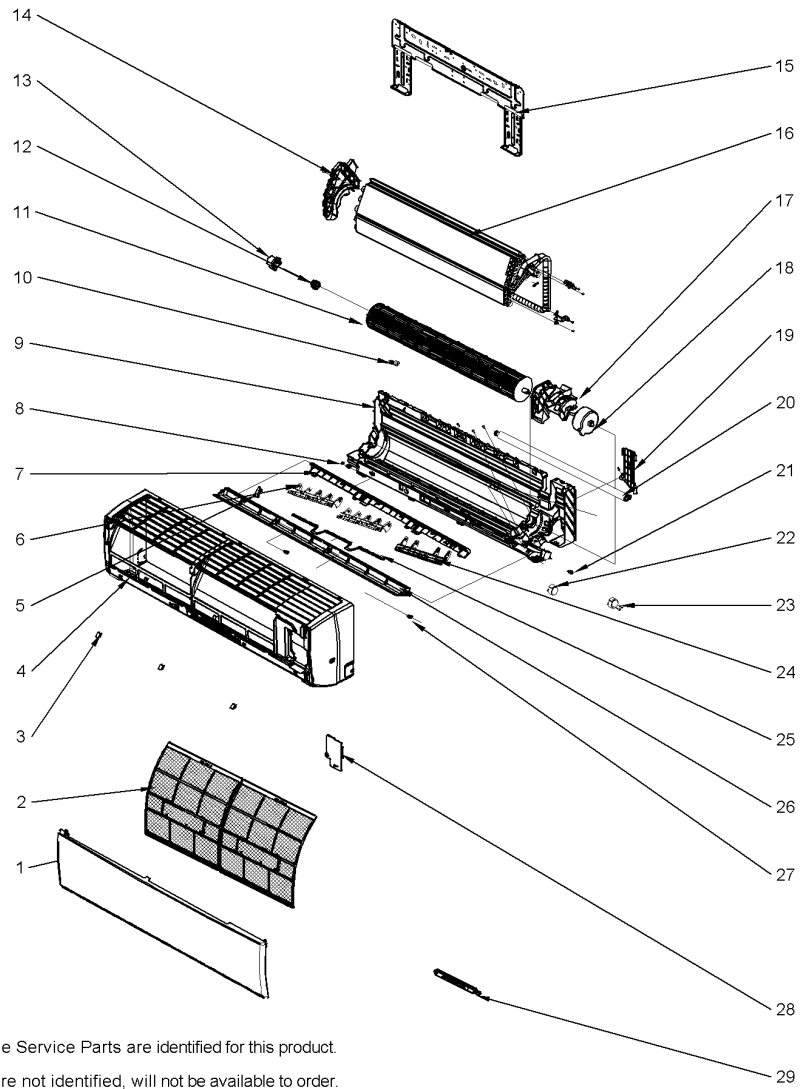
Model Number :4MXW3818A10NUAA

| Part No. | Reference No. | Quantity | Description |
|-----------------|----------------------|-----------------|----------------------------------|
| BOX03039 | 1 | 1 | BOX; ELECTRICAL CONTROL ASSEMBLY |
| BRD05675 | 2 | 1 | BOARD; MAIN |
| BRD02648 | 3 | 1 | BOARD; TERMINAL, |
| BOX02965 | 4 | 1 | BOX; ELECTRIC |
| SEN02447 | 5 | 1 | SENSOR; TEMPERATURE |
| MOD02783 | 6 | 1 | MODULE; WIFI |
| CNT07661 | 7 | 1 | CONTROL; REMOTE |
| BOX02964 | 8 | 1 | BOX; LOWER SHIELD |
| CAP01339 | 9 | 1 | CAP; JUMPER |
| COV05102 | 10 | 1 | COVER; ELECTRIC BOX (PLASTIC) |
| PLT06114 | 11 | 1 | PLATE; OUTER ELECTRICAL COVER |
| COV05099 | 12 | 1 | COVER; ELECTRIC BOX (METAL) |

INDOOR ULTRA LOW AMBIENT MS AMBER
1.5 TON GENERAL ASSEMBLY SECTION

75011637

REV.
A



All orderable Service Parts are identified for this product.

Parts that are not identified, will not be available to order.

This is a typical illustration. The unit in the field may not appear exactly as shown.

Parts List Number :4MXWUP4#4MXWUP4

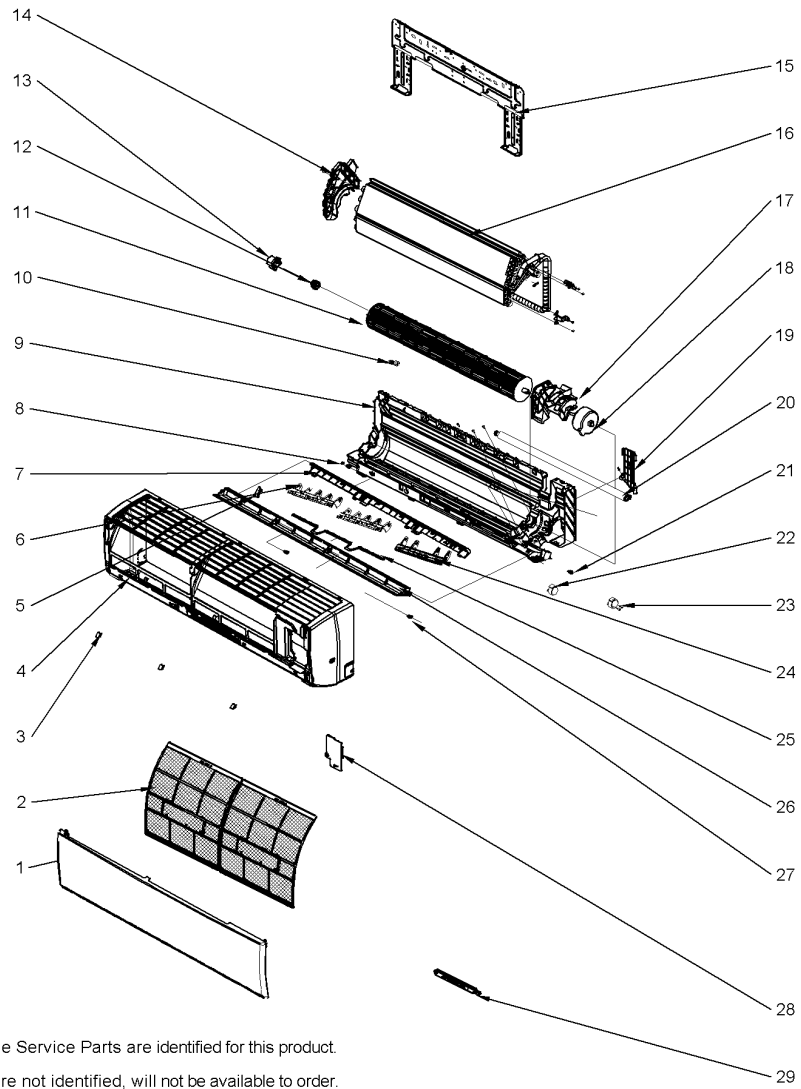
Model Number :4MXW3818A10NUAA

| Part No. | Reference No. | Quantity | Description |
|---------------------------|---------------|----------|--|
| 75011637_4MXWUP4_307873~P | * | | 1.5 TON INDOOR GENERAL ASSEMBLY SECTION PARTS LIST |

INDOOR ULTRA LOW AMBIENT MS AMBER
1.5 TON GENERAL ASSEMBLY SECTION

75011637

REV.
A



All orderable Service Parts are identified for this product.

Parts that are not identified, will not be available to order.

This is a typical illustration. The unit in the field may not appear exactly as shown.

Parts List Number :4MXWUP4#4MXWUP4

Model Number :4MXW3818A10NUAA

| Part No. | Reference No. | Quantity | Description |
|----------|---------------|----------|------------------------------------|
| PNL34024 | 1 | 1 | PANEL; FRONT |
| FLR08324 | 2 | 2 | FILTER; SUB-ASSY |
| COV05227 | 3 | 3 | COVER; SCREW |
| CAS02113 | 4 | 1 | CASING; FRONT ASSEMBLY |
| CON01939 | 5 | 1 | CONNECTOR; LEFT RIGHT LOUVER |
| LVR01211 | 6 | 2 | LOUVER; LEFT RIGHT 2 |
| PNL34023 | 7 | 1 | PANEL; LOUVER CONNECTOR |
| BUS02159 | 8 | 1 | BUSHING; LEFT AXILE |
| CAS02110 | 9 | 1 | CASING; REAR ASSEMBLY |
| PLU01245 | 10 | 1 | PLUG; DRAIN PAN |
| FAN05632 | 11 | 1 | FAN; CROSS FLOW |
| GKT04728 | 12 | 1 | GASKET; O RING, BEARING |
| BRG01961 | 13 | 1 | BEARING; RING |
| SUP06160 | 14 | 1 | SUPPORT; COIL |
| FRM02297 | 15 | 1 | FRAME; WALL MOUNTING |
| COL27777 | 16 | 1 | COIL; ASSEMBLY |
| PLT05944 | 17 | 1 | PLATE; MOTOR MOUNTING |
| MOT17613 | 18 | 1 | MOTOR; FAN |
| COV05142 | 19 | 1 | COVER; REFRIGERANT PIPE |
| HSE01638 | 20 | 1 | HOSE; DRAINAGE HOSE |
| LVR01187 | 21 | 1 | LOUVER; SIDE GUIDE |
| MOT17614 | 22 | 1 | MOTOR; LOUVER STEPPER (LEFT-RIGHT) |
| MOT17615 | 23 | 1 | MOTOR; LOUVER STEPPER (UP-DOWN) |
| LVR01212 | 24 | 1 | LOUVER; LEFT RIGHT |
| LEV00433 | 25 | 1 | LEVER; SWING |
| LVR01208 | 26 | 1 | LOUVER; UP-DOWN |
| BUS02047 | 27 | 2 | BUSHING; AXILE |
| COV05103 | 28 | 1 | COVER; TERMINAL |
| BRD05637 | 29 | 1 | BOARD; DISPLAY |