

Part No.	Reference No.	Quantity	Description
4MXWUP4_4MXWUP4_177652~ P	*		4MXWUP4 PARTS LIST
75011636#4MXWUP4~S	*		.75 & 1.0 TON INDOOR CONTROLS & ELECTRIC BOX SECTION
75011635#4MXWUP4~S	*		.75 & 1.0 TON INDOOR FAN & COIL SECTION
75011634#4MXWUP4~S	*		.75 & 1.0 TON INDOOR PANELS, FILTER SECTION
75011610#4MXWUP4~S	*		INDOOR MODEL NOMENCLATURE

NO GRAPHIC AVAILABLE

75013702

REV
A

**NO
GRAPHIC
AVAILABLE**

MODEL NUMBER DESCRIPTION	75011610	REV. A
Amber IDU		
<i>Example Model Number:</i> 4MXW3809A10NUAA <small>1 - - - 5 - - - 10 - - - 15</small>		
Digit 1 – Refrigerant 4 = R410A		
Digit 2 – Unit Type M = Indoor Unit		
Digit 3 – Functional Type X = Heat Pump Inverter		
Digit 4 W = High Wall Unit		
Digit 5, 6 – Efficiency Tier 38 = up to 38 SEER Ultra Low		
Digit 7, 8 – Nominal Capacity (Btu/h x 1,000) 09 = 9,000 Btu/h 12 = 12,000 Btu/h 18 = 18,000 Btu/h 24 = 24,000 Btu/h		
Digit 9 – Major Development Sequence A = First Development Sequence B = Second Development Sequence		
Digit 10 – Electric Power Supply Characteristics 1 = 208-230/60/1		
Digit 11 – Open for future development 0 = Unused		
Digit 12 – Configuration Indoor Unit Regional Markets Served (1:1 Systems) N = North America Market		
Digit 13 – Special Series Designator U = Ultra Low Ambient		
Digit 14 – Minor Design Sequence A = First Design Sequence B = Second Design Sequence		
Digit 15 – Service Digit		
1 of 1		

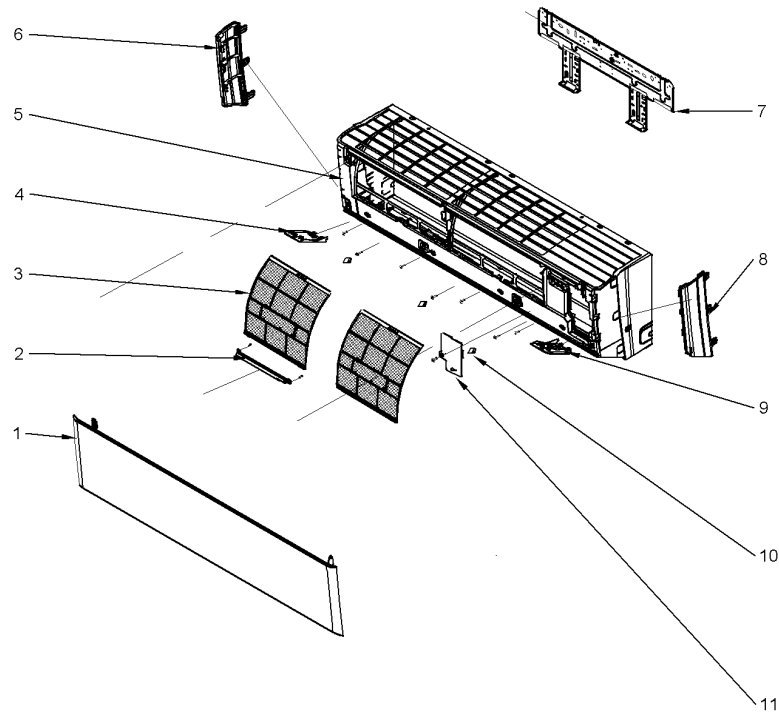
Part No.	Reference No.	Quantity	Description
75011610_4MXWUP4_257419~P	*		INDOOR MODEL NOMENCLATURE PARTS LIST

MODEL NUMBER DESCRIPTION	75011610	REV. A
Amber IDU		
<i>Example Model Number:</i> 4MXW3809A10NUAA <small>1 - - - 5 - - - 10 - - - 15</small>		
Digit 1 – Refrigerant 4 = R410A		
Digit 2 – Unit Type M = Indoor Unit		
Digit 3 – Functional Type X = Heat Pump Inverter		
Digit 4 W = High Wall Unit		
Digit 5, 6 – Efficiency Tier 38 = up to 38 SEER Ultra Low		
Digit 7, 8 – Nominal Capacity (Btu/h x 1,000) 09 = 9,000 Btu/h 12 = 12,000 Btu/h 18 = 18,000 Btu/h 24 = 24,000 Btu/h		
Digit 9 – Major Development Sequence A = First Development Sequence B = Second Development Sequence		
Digit 10 – Electric Power Supply Characteristics 1 = 208-230/60/1		
Digit 11 – Open for future development 0 = Unused		
Digit 12 – Configuration Indoor Unit Regional Markets Served (1:1 Systems) N = North America Market		
Digit 13 – Special Series Designator U = Ultra Low Ambient		
Digit 14 – Minor Design Sequence A = First Design Sequence B = Second Design Sequence		
Digit 15 – Service Digit		

INDOOR ULTRA LOW AMBIENT MS AMBER
.75 & 1.0 TON PANELS, FILTERS SECTION

75011634

REV.
A



All orderable Service Parts are identified for this product.

Parts that are not identified, will not be available to order.

This is a typical illustration. The unit in the field may not appear exactly as shown.

Parts List Number :4MXWUP4#4MXWUP4

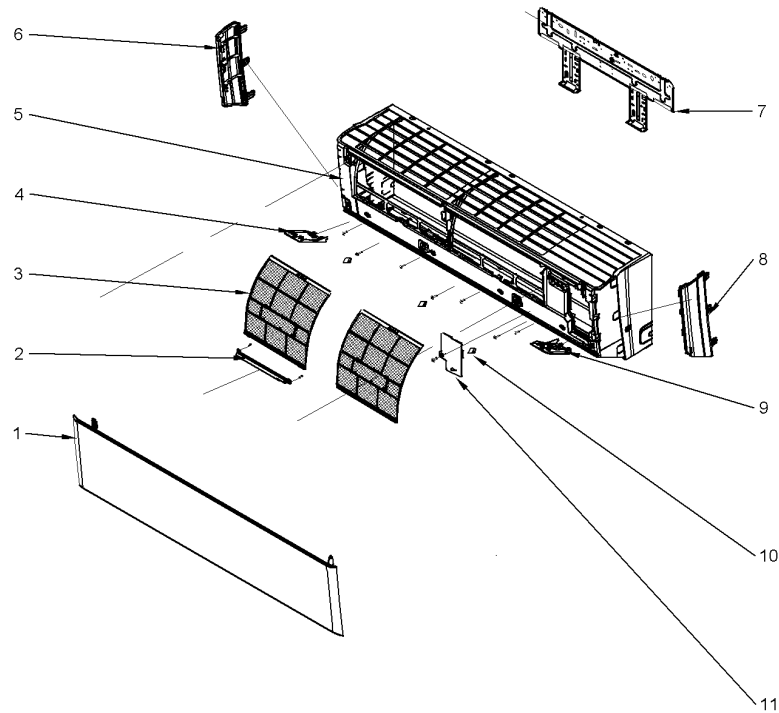
Model Number :4MXW3812A10NUAA

Part No.	Reference No.	Quantity	Description
75011634_4MXWUP4_280686~P	*		.75 & 1.0 TON INDOOR PANELS, FILTER SECTION PARTS LIST

INDOOR ULTRA LOW AMBIENT MS AMBER
.75 & 1.0 TON PANELS, FILTERS SECTION

75011634

REV.
A



All orderable Service Parts are identified for this product.

Parts that are not identified, will not be available to order.

This is a typical illustration. The unit in the field may not appear exactly as shown.

Parts List Number :4MXWUP4#4MXWUP4

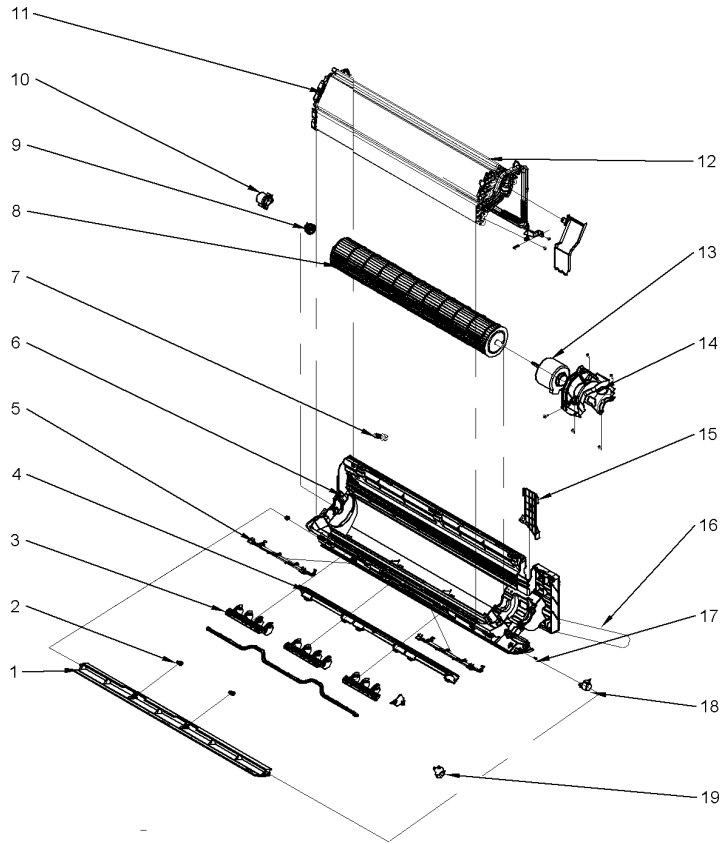
Model Number :4MXW3812A10NUAA

Part No.	Reference No.	Quantity	Description
PNL34025	1	1	PANEL; FRONT
BRD05637	2	1	BOARD; DISPLAY
FLR07207	3	2	FILTER; REUSABLE MESH, 11 1/2 X 14
PNL34049	4	1	PANEL; LEFT DECORATIVE
CAS02112	5	1	CASING; FRONT ASSEMBLY
PLT06116	6	1	PLATE; LEFT SIDE
PLT05903	7	1	PLATE; MOTOR MOUNTING (METAL)
PLT06117	8	1	PLATE; RIGHT SIDE
PNL34051	9	1	PANEL; RIGHT DECORATIVE
COV05146	10	3	COVER; SCREW
COV05103	11	1	COVER; TERMINAL

INDOOR ULTRA LOW AMBIENT MS AMBER
.75 & 1.0 TON FAN & COIL SECTION

75011635

REV.
A



All orderable Service Parts are identified for this product.

Parts that are not identified, will not be available to order.

This is a typical illustration. The unit in the field may not appear exactly as shown.

Parts List Number :4MXWUP4#4MXWUP4

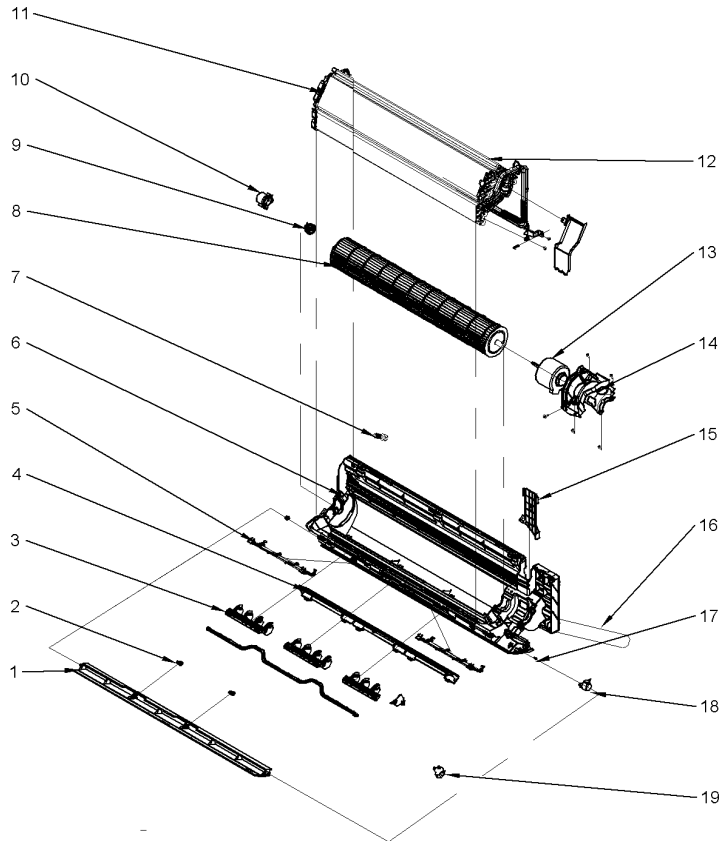
Model Number :4MXW3812A10NUAA

Part No.	Reference No.	Quantity	Description
75011635_4MXWUP4_280687~P	*		.75 & 1.0 TON INDOOR FAN & COIL SECTION PARTS LIST

INDOOR ULTRA LOW AMBIENT MS AMBER
.75 & 1.0 TON FAN & COIL SECTION

75011635

REV.
A



All orderable Service Parts are identified for this product.

Parts that are not identified, will not be available to order.

This is a typical illustration. The unit in the field may not appear exactly as shown.

Parts List Number :4MXWUP4#4MXWUP4

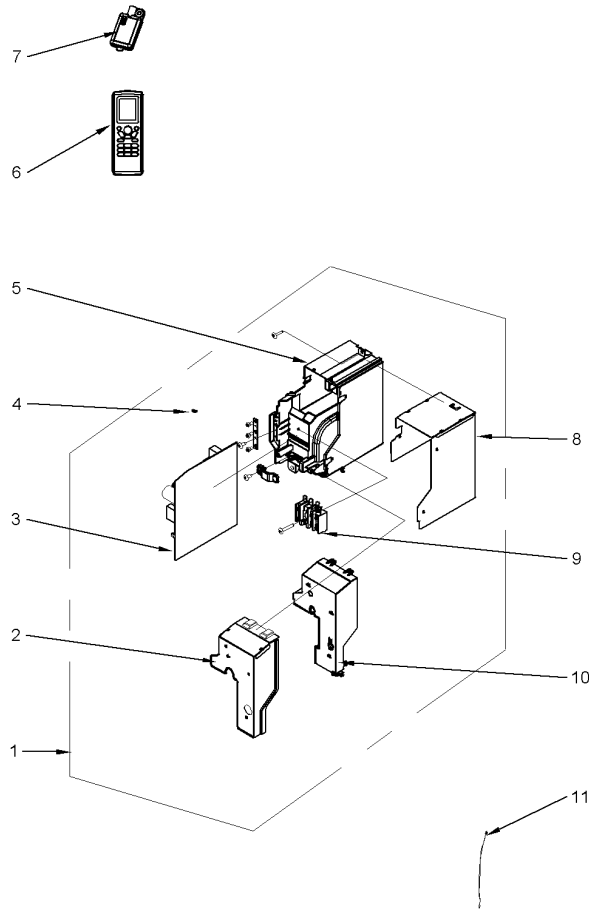
Model Number :4MXW3812A10NUAA

Part No.	Reference No.	Quantity	Description
LVR01210	1	1	LOUVER; UP-DOWN
BUS02047	2	2	BUSHING; AXILE
LVR01207	3	1	LOUVER; LEFT RIGHT
BRK04747	4	1	BRACKET; AIR OUTLET
GRL02062	5	3	GRILLE; REAR ASSEMBLY
CAS02111	6	1	CASING; REAR ASSEMBLY
PLU01245	7	1	PLUG; DRAIN PAN
FAN05604	8	1	FAN; CROSS FLOW
GKT04728	9	1	GASKET; O RING, BEARING
BRG01961	10	1	BEARING; RING
SUP06144	11	1	SUPPORT; COIL
COL27452	12	1	COIL; EVAP
MOT14613	13	1	MOTOR; FAN
PLT05904	14	1	PLATE; MOTOR MOUNTING (PLASTIC)
COV05105	15	1	COVER; REFRIGERANT PIPE
HSE01636	16	1	HOSE; DRAINAGE HOSE
LVR01187	17	1	LOUVER; SIDE GUIDE
MOT17358	18	1	MOTOR; STEPPER
MOT17616	19	1	MOTOR; LOUVER LEFT-RIGHT STEPPER

INDOOR ULTRA LOW AMBIENT MS AMBER
.75 & 1.0 TON CONTROLS & ELECTRIC BOX SECTION

75011636

REV.
A



All orderable Service Parts are identified for this product.

Parts that are not identified, will not be available to order.

This is a typical illustration. The unit in the field may not appear exactly as shown.

Parts List Number :4MXWUP4#4MXWUP4

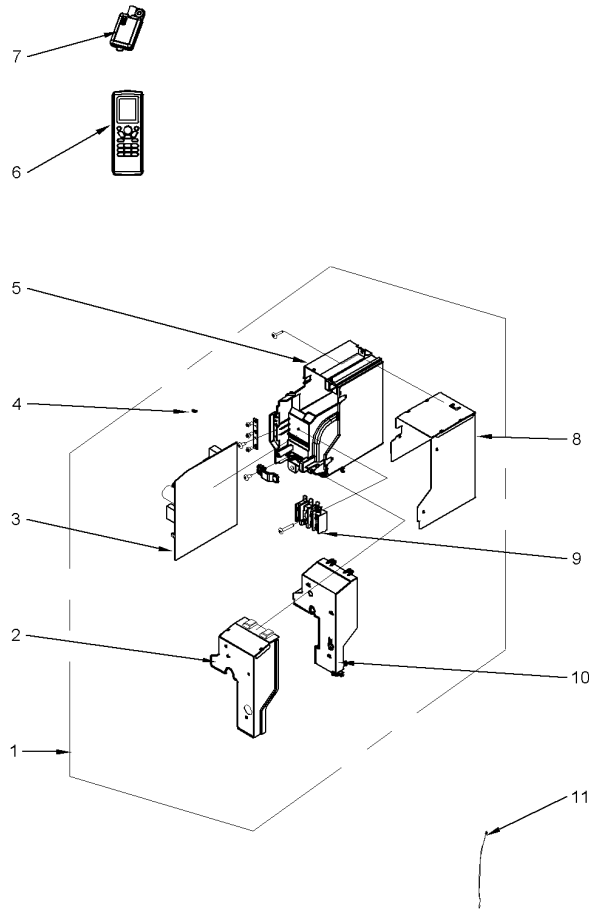
Model Number :4MXW3812A10NUAA

Part No.	Reference No.	Quantity	Description
75011636_4MXWUP4_280688~P	*		.75 & 1.0 TON INDOOR CONTROLS & ELECTRIC BOX SECTION PARTS LIST

INDOOR ULTRA LOW AMBIENT MS AMBER
.75 & 1.0 TON CONTROLS & ELECTRIC BOX SECTION

75011636

REV.
A



All orderable Service Parts are identified for this product.

Parts that are not identified, will not be available to order.

This is a typical illustration. The unit in the field may not appear exactly as shown.

Parts List Number :4MXWUP4#4MXWUP4

Model Number :4MXW3812A10NUAA

Part No.	Reference No.	Quantity	Description
BOX03041	1	1	BOX; ELECTRICAL ASSEMBLY
COV05099	2	1	COVER; ELECTRIC BOX (METAL)
BRD05675	3	1	BOARD; MAIN
CAP01323	4	1	CAP; JUMPER
BOX02965	5	1	BOX; ELECTRIC
CNT07661	6	1	CONTROL; REMOTE
MOD02783	7	1	MODULE; WIFI
BOX02964	8	1	BOX; LOWER SHIELD
BRD02648	9	1	BOARD; TERMINAL,
COV05102	10	1	COVER; ELECTRIC BOX (PLASTIC)
SEN02447	11	1	SENSOR; TEMPERATURE