

Part No.	Reference No.	Quantity	Description
4MXWUP2_4MXWUP2_217390~ P	*		4MXWUP2 PARTS LIST
75010655#4MXWUP2~S	*		ELECTRIC BOX ASSY INDOOR UNITS
75010654#4MXWUP2~S	*		GENERAL ASSY 2 TON INDOOR UNITS
75010631#4MXWUP2~S	*		INDOOR 4MXW 27 SEER MODEL NOMENCLATURE
75009915#4MXWUP2~S	*		INDOOR ACCESSORIES

NO GRAPHIC AVAILABLE

75013702

REV
A

**NO
GRAPHIC
AVAILABLE**

MODEL NUMBER DESCRIPTION
27 SEER INDOOR MINI SPLIT HEAT PUMP INVERTER

75010631

REV.
A

Example Model Number:

4MXW2712A10N0AA
1 - - - - 5 - - - - 10 - - - - 15

Digit 1 – Refrigerant

4 = R-410A

Digit 2 – Brand

M = Mini-Split Indoor Unit

Digit 3 – Functional Type

X = Heat Pump Inverter

Digit 4 – Configuration Indoor Unit

W = High Wall Unit

Digits 5, 6 – Efficiency Tier

27 = 27 SEER

Digits 7, 8 – Nominal Capacity (BTU/h x 1,000)

09 = 9,000 btu/h
12 = 12,000 btu/h
18 = 18,000 btu/h
24 = 24,000 btu/h

Digit 9 – Major Development Sequence

A = First Development Sequence

Digit 10 – Electric Power Supply

1 = 208-230/60/1

Digit 11 – Reserved for Future Use

0 = Not Currently Used

Digit 12 – Regional Markets Served

N = North America Market

Digit 13 – Reserved for Future Use

0 = Not Currently Used

Digit 14 – Minor Design Sequence

A = First Design Sequence

Digit 15 – Service Digit

A = First Sequence

Parts List Number :4MXWUP2#4MXWUP2

Model Number :4MXW2724A10N0AA

Part No.	Reference No.	Quantity	Description
75010631_4MXWUP2_273900~P	*		INDOOR 4MXW 27 SEER MODEL NOMENCLATURE PARTS LIST

MODEL NUMBER DESCRIPTION
27 SEER INDOOR MINI SPLIT HEAT PUMP INVERTER

75010631

REV.
A

Example Model Number:

4MXW2712A10N0AA
1 - - - - 5 - - - - 10 - - - - 15

Digit 1 – Refrigerant

4 = R-410A

Digit 2 – Brand

M = Mini-Split Indoor Unit

Digit 3 – Functional Type

X = Heat Pump Inverter

Digit 4 – Configuration Indoor Unit

W = High Wall Unit

Digits 5, 6 – Efficiency Tier

27 = 27 SEER

Digits 7, 8 – Nominal Capacity (BTU/h x 1,000)

09 = 9,000 btu/h
12 = 12,000 btu/h
18 = 18,000 btu/h
24 = 24,000 btu/h

Digit 9 – Major Development Sequence

A = First Development Sequence

Digit 10 – Electric Power Supply

1 = 208-230/60/1

Digit 11 – Reserved for Future Use

0 = Not Currently Used

Digit 12 – Regional Markets Served

N = North America Market

Digit 13 – Reserved for Future Use

0 = Not Currently Used

Digit 14 – Minor Design Sequence

A = First Design Sequence

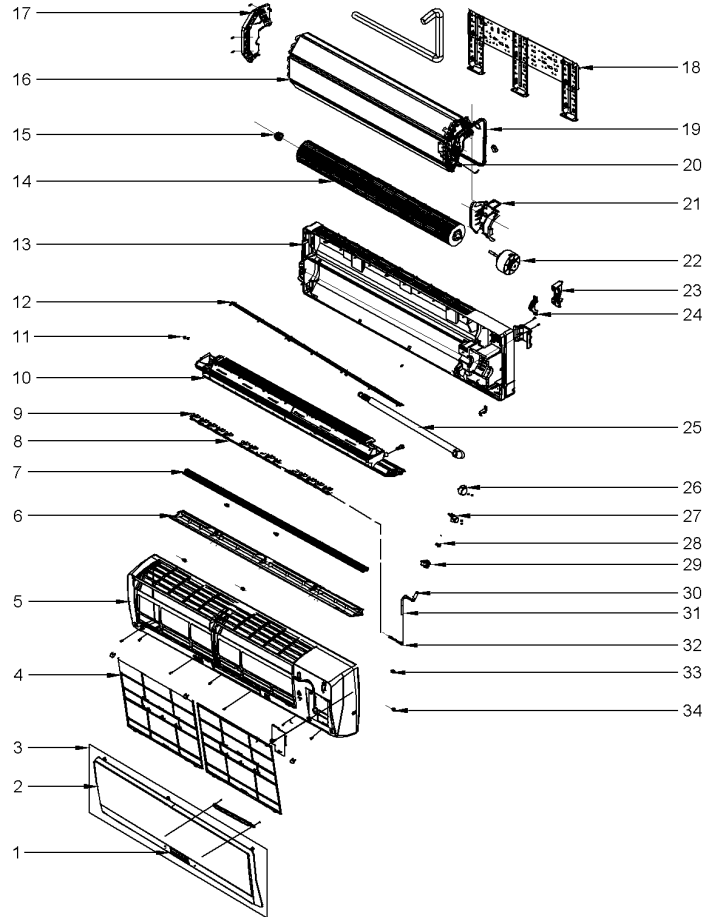
Digit 15 – Service Digit

A = First Sequence

GENERAL ASSEMBLY
2.0 TON 27 SEER INDOOR
TYPICAL ILLUSTRATION

75010654

REV.
A

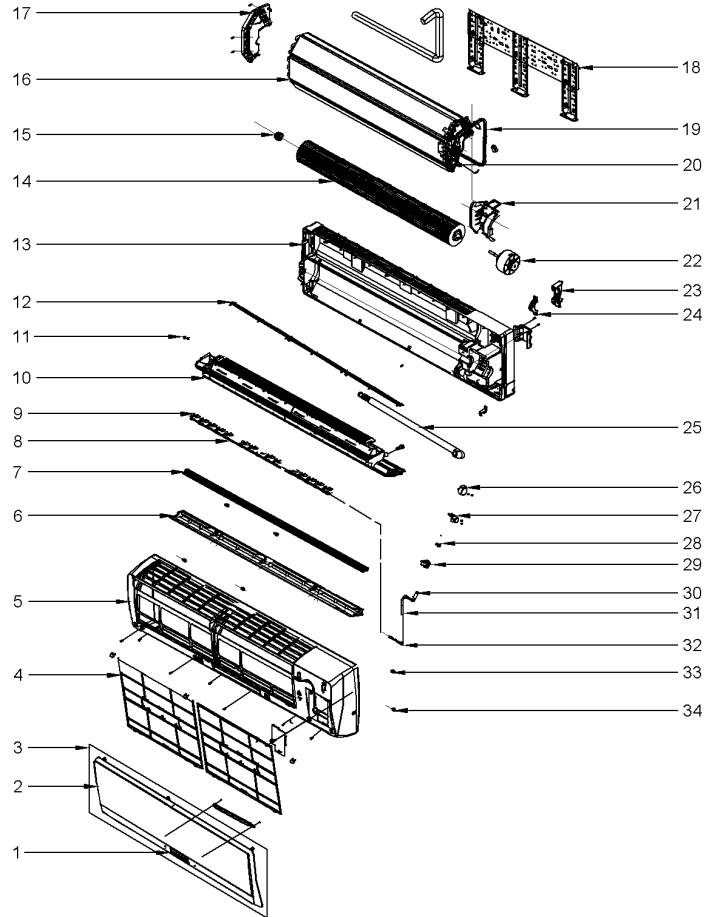


Part No.	Reference No.	Quantity	Description
75010654_4MXWUP2_305026~P	*		GENERAL ASSY 2 TON INDOOR UNITS PARTS LIST

GENERAL ASSEMBLY
2.0 TON 27 SEER INDOOR
TYPICAL ILLUSTRATION

75010654

REV.
A



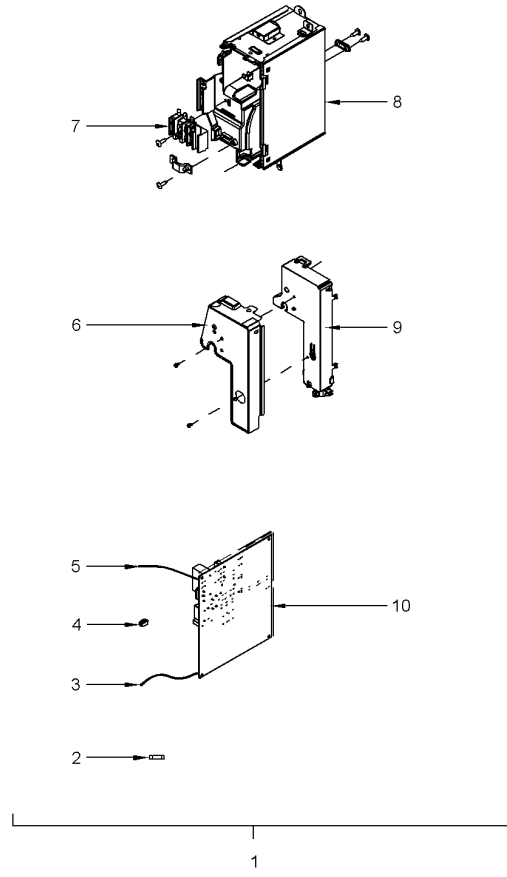
Part No.	Reference No.	Quantity	Description
BRD05189	1	1	BOARD; DISPLAY
PNL31893	2	1	PANEL; FRONT, ASSY
PNL31894	3	1	PANEL; FRONT, A2
FLR08035	4	2	FILTER; SUB-ASSY
PNL31895	5	1	PANEL; FRONT CASE ASSY
LVR01169	6	1	LOUVER; GUIDE
LVR01166	7	1	LOUVER; GUIDE (SMALL)
LEV00398	8	1	LEVER; SWING, 2
LVR01162	9	15	LOUVER; AIR
PAN03827	10	1	PAN; WATER TRAY ASSY
BUS02160	11	2	BUSHING; LEFT AXILE BUSH
GRL01942	12	1	GRILLE; REAR
PNL31896	13	1	PANEL; REAR CASE ASSY
FAN05404	14	1	FAN; CROSS FLOW
GKT04737	15	1	GASKET; O-GASKET OF CROSS FAN BEARING
COL25226	16	1	COIL; EVAPORATOR ASSY
SUP05895	17	1	SUPPORT; LEFT EVAPORATOR
FRM02097	18	1	FRAME; WALL MOUNTING
PIP02063	19	1	PIPE; LIQUID COLLECTING, SUB-ASSY1
SLV00331	20	1	SLEEVE; TEMP SENSOR SLEEVING
SUP05898	21	1	SUPPORT; RIGHT OF EVAPORATOR
MOT16744	22	1	MOTOR; FAN
RTR00978	23	1	RETAINER; MOTOR FIXED CLIP 1
RTR00979	24	1	RETAINER; MOTOR FIXED CLIP 2
HSE01862	25	1	HOSE; DRAINAGE PIPE
MOT16856	26	1	MOTOR; STEP
MOT16857	27	1	MOTOR; STEP
TOL04224	28	2	TOOL; CRANK
MOT16855	29	1	MOTOR; STEP
HLD00599	30	1	HOLDER; MOTOR
LEV00399	31	1	LEVER; SWING, 2
LEV00397	32	1	LEVER; SWING, 1
BUS02164	33	3	BUSHING; AXILE
BUS02047	34	3	BUSHING; AXILE

ELECTRIC BOX ASSEMBLY

75010655

REV.
A

3/4, 1.0, 1.5 & 2.0 TON 27 SEER INDOOR
TYPICAL ILLUSTRATION



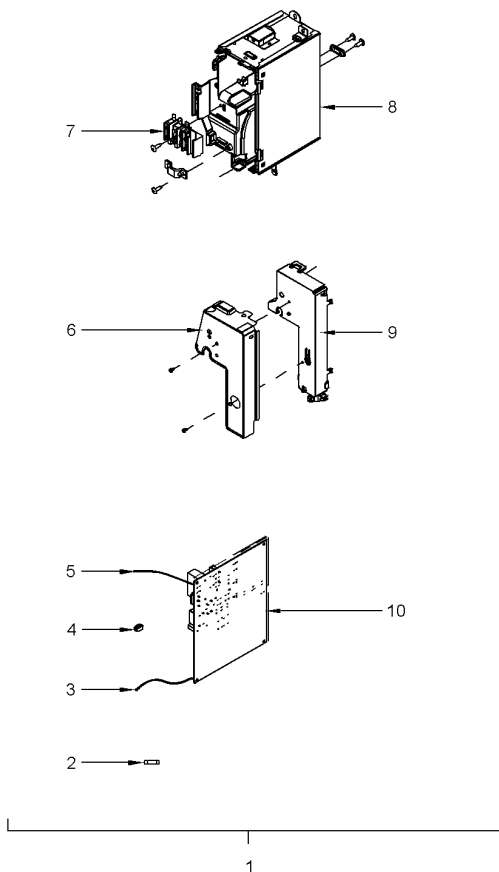
Part No.	Reference No.	Quantity	Description
75010655_4MXWUP2_305027~P	*		ELECTRIC BOX ASSY INDOOR UNITS PARTS LIST

ELECTRIC BOX ASSEMBLY

75010655

REV.
A

3/4, 1.0, 1.5 & 2.0 TON 27 SEER INDOOR
TYPICAL ILLUSTRATION



Parts List Number :4MXWUP2#4MXWUP2

Model Number :4MXW2724A10N0AA

Part No.	Reference No.	Quantity	Description
CNT07334	1	1	CONTROL; ELECTRIC BOX ASSY
FUS01998	2	1	FUSE; (46010055)
SEN02044	3	1	SENSOR; TEMPERATURE
CON01822	4	1	CONNECTOR; JUMPER
SEN01333	5	1	SENSOR; AMBIENT TEMPERATURE (390000451)
COV04848	6	1	COVER; SHIELD OF ELECTRIC BOX
BRD02648	7	1	BOARD; TERMINAL,
COV04849	8	1	COVER; SHIELD OF ELECTRIC BOX COVER
COV04854	9	1	COVER; ELECTRIC BOX
BRD05181	10	1	BOARD; MAIN

ACCESSORIES INDOOR UNITS

75009915

REV
B

* NOT ILLUSTRATED



All orderable Service Parts are identified for this product.
Parts that are not identified, will not be available to order.
This is a typical illustration. The unit in the field may not appear exactly as shown.

INDOOR ACCESSORIES

Parts List Number :4MXWUP2#4MXWUP2

Model Number :4MXW2724A10N0AA

Part No.	Reference No.	Quantity	Description
75009915_4MXWUP2_273899~P	*		INDOOR ACCESSORIES PARTS LIST

ACCESSORIES INDOOR UNITS

75009915

REV
B

* NOT ILLUSTRATED



All orderable Service Parts are identified for this product.
Parts that are not identified, will not be available to order.
This is a typical illustration. The unit in the field may not appear exactly as shown.

Part No.	Reference No.	Quantity	Description
HLD00594	*	1	HOLDER; REMOTE CONTROL
CNT06868	6	1	CONTROL; REMOTE CONTROLLER, TRANE BRAND
CNT06869	6	1	CONTROL; REMOTE CONTROLLER, AMERICAN STANDARD BRAND
FLR07580	7	1	FILTER; REPLACEMENT FILTER MEDIA; 2-PACK MEDIA, 1 CARBON MEDIA FILTER AND 1 CATECHIN MEDIA