

Part No.	Reference No.	Quantity	Description
4MXWUP2_4MXWUP2_217390~ P	*		4MXWUP2 PARTS LIST
75010655#4MXWUP2~S	*		ELECTRIC BOX ASSY INDOOR UNITS
75010652#4MXWUP2~S	*		GENERAL ASSY 3/4 & 1 TON INDOOR UNITS
75010631#4MXWUP2~S	*		INDOOR 4MXW 27 SEER MODEL NOMENCLATURE
75009915#4MXWUP2~S	*		INDOOR ACCESSORIES

NO GRAPHIC AVAILABLE

75013702

REV
A

**NO
GRAPHIC
AVAILABLE**

MODEL NUMBER DESCRIPTION
27 SEER INDOOR MINI SPLIT HEAT PUMP INVERTER

75010631

REV.
A

Example Model Number:

4MXW2712A10N0AA
1 - - - - 5 - - - - 10 - - - - 15

Digit 1 – Refrigerant

4 = R-410A

Digit 2 – Brand

M = Mini-Split Indoor Unit

Digit 3 – Functional Type

X = Heat Pump Inverter

Digit 4 – Configuration Indoor Unit

W = High Wall Unit

Digits 5, 6 – Efficiency Tier

27 = 27 SEER

Digits 7, 8 – Nominal Capacity (BTU/h x 1,000)

09 = 9,000 btu/h
12 = 12,000 btu/h
18 = 18,000 btu/h
24 = 24,000 btu/h

Digit 9 – Major Development Sequence

A = First Development Sequence

Digit 10 – Electric Power Supply

1 = 208-230/60/1

Digit 11 – Reserved for Future Use

0 = Not Currently Used

Digit 12 – Regional Markets Served

N = North America Market

Digit 13 – Reserved for Future Use

0 = Not Currently Used

Digit 14 – Minor Design Sequence

A = First Design Sequence

Digit 15 – Service Digit

A = First Sequence

Parts List Number :4MXWUP2#4MXWUP2

Model Number :4MXW2709A10N0AA

Part No.	Reference No.	Quantity	Description
75010631_4MXWUP2_273900~P	*		INDOOR 4MXW 27 SEER MODEL NOMENCLATURE PARTS LIST

MODEL NUMBER DESCRIPTION
27 SEER INDOOR MINI SPLIT HEAT PUMP INVERTER

75010631

REV.
A

Example Model Number:

4MXW2712A10N0AA
1 - - - - 5 - - - - 10 - - - - 15

Digit 1 – Refrigerant

4 = R-410A

Digit 2 – Brand

M = Mini-Split Indoor Unit

Digit 3 – Functional Type

X = Heat Pump Inverter

Digit 4 – Configuration Indoor Unit

W = High Wall Unit

Digits 5, 6 – Efficiency Tier

27 = 27 SEER

Digits 7, 8 – Nominal Capacity (BTU/h x 1,000)

09 = 9,000 btu/h
12 = 12,000 btu/h
18 = 18,000 btu/h
24 = 24,000 btu/h

Digit 9 – Major Development Sequence

A = First Development Sequence

Digit 10 – Electric Power Supply

1 = 208-230/60/1

Digit 11 – Reserved for Future Use

0 = Not Currently Used

Digit 12 – Regional Markets Served

N = North America Market

Digit 13 – Reserved for Future Use

0 = Not Currently Used

Digit 14 – Minor Design Sequence

A = First Design Sequence

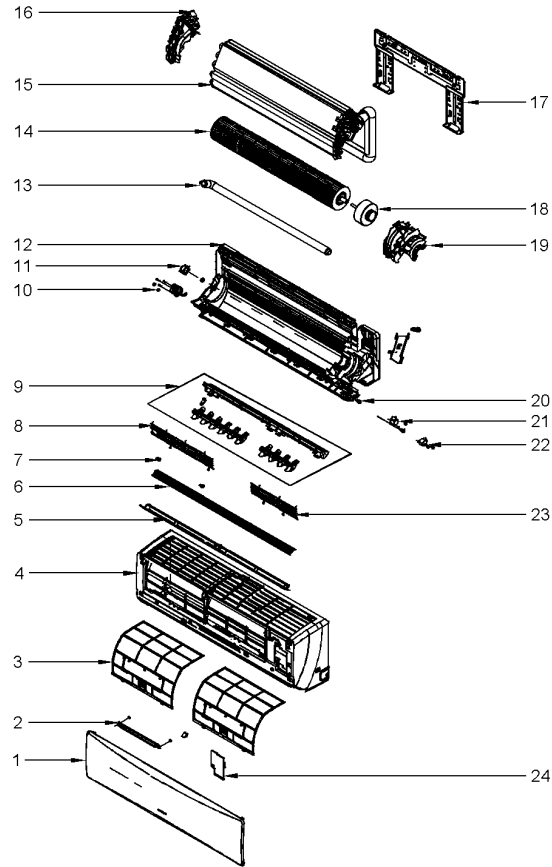
Digit 15 – Service Digit

A = First Sequence

GENERAL ASSEMBLY
3/4 & 1.0 TON 27 SEER INDOOR
TYPICAL ILLUSTRATION

75010652

REV.
A



Parts List Number :4MXWUP2#4MXWUP2

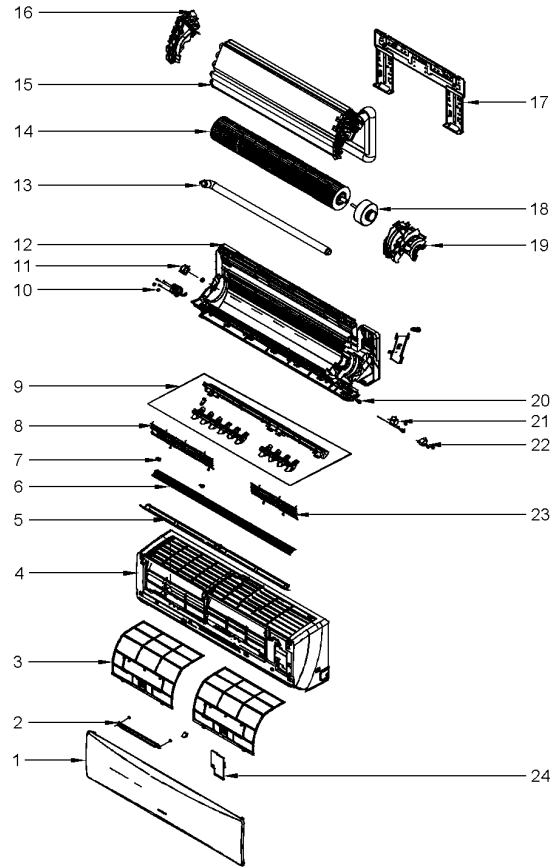
Model Number :4MXW2709A10N0AA

Part No.	Reference No.	Quantity	Description
75010652_4MXWUP2_273901~P	*		GENERAL ASSY 3/4 & 1 TON INDOOR UNITS PA

GENERAL ASSEMBLY
3/4 & 1.0 TON 27 SEER INDOOR
TYPICAL ILLUSTRATION

75010652

REV.
A



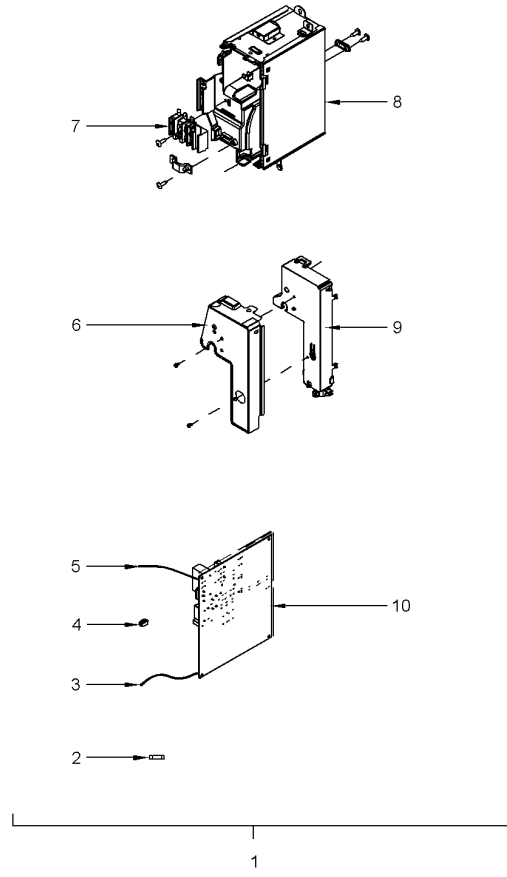
Part No.	Reference No.	Quantity	Description
BRK05205		1	BRACKET; CONNECTOR
LVR01294		1	LOUVER; GUIDE CRANK
MOT18592		1	MOTOR; STEPPING
PNL31888	1	1	PANEL; FRONT, ASSY
BRD05188	2	1	BOARD; DISPLAY
FLR08057	3	2	FILTER; SUB-ASSY
PNL31889	4	1	PANEL; FRONT CASE SUB-ASSY
LVR01167	5	1	LOUVER; GUIDE
LVR01160	6	1	LOUVER; GUIDE (SMALL)
BUS02047	7	2	BUSHING; AXILE
GRL01935	8	1	GRILLE; REAR GRILL
GRL01937	9	1	GRILLE; HELICOID TONGUE SUB-ASSY
BUS02159	10	2	BUSHING; LEFT AXILE
BUS02161	11	1	BUSHING; PROPELLER AXILE BUSH
CAS02054	12	1	CASING; REAR CASE ASSY
HSE01636	13	1	HOSE; DRAINAGE HOSE
FAN05403	14	1	FAN; CROSS FLOW
COL25286	15	1	COIL; EVAPORATOR ASSY
SUP05896	16	1	SUPPORT; EVAPORATOR
FRM01911	17	1	FRAME; WALL MOUNTING FRAME(01252484)
MOT16915	18	1	MOTOR; FAN
PLT05363	19	1	PLATE; MOTOR PRESS
TOL03841	20	1	TOOL; CRANK
MOT16849	21	1	MOTOR; STEP
MOT16850	22	1	MOTOR; STEP
GRL01936	23	1	GRILLE; REAR GRILL
COV04871	24	1	COVER; ELECTRIC BOX COVER2

ELECTRIC BOX ASSEMBLY

75010655

REV.
A

3/4, 1.0, 1.5 & 2.0 TON 27 SEER INDOOR
TYPICAL ILLUSTRATION



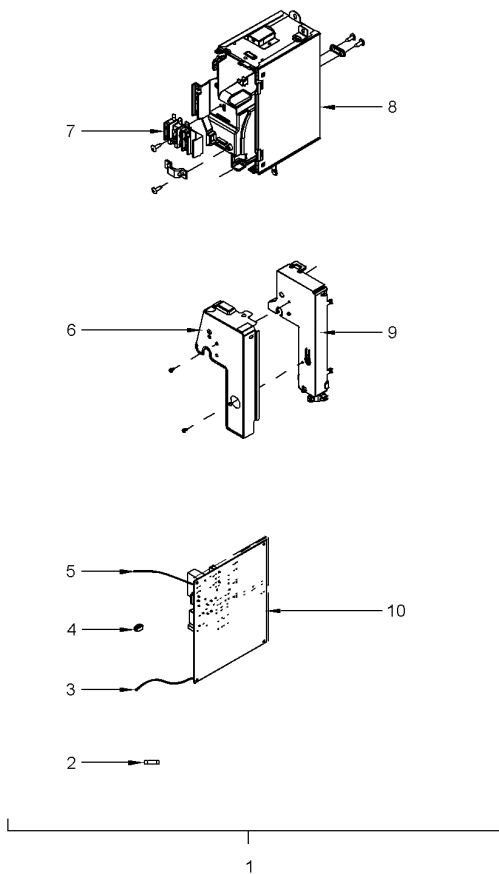
Part No.	Reference No.	Quantity	Description
75010655_4MXWUP2_276970~P	*		ELECTRIC BOX ASSY INDOOR UNITS PARTS LIST

ELECTRIC BOX ASSEMBLY

75010655

REV.
A

3/4, 1.0, 1.5 & 2.0 TON 27 SEER INDOOR
TYPICAL ILLUSTRATION



Parts List Number :4MXWUP2#4MXWUP2

Model Number :4MXW2709A10N0AA

Part No.	Reference No.	Quantity	Description
CNT07331	1	1	CONTROL; ELECTRIC BOX ASSY
SEN02044	3	1	SENSOR; TEMPERATURE
CON01816	4	1	CONNECTOR; JUMPING
SEN01333	5	1	SENSOR; AMBIENT TEMPERATURE (390000451)
COV04847	6	1	COVER; SHIELD OF ELECTRIC BOX SUB-ASSY
BRD02648	7	1	BOARD; TERMINAL,
COV04855	8	1	COVER; ELECTRIC BOX
BRD05177	10	1	BOARD; MAIN

ACCESSORIES INDOOR UNITS

75009915

REV
B

* NOT ILLUSTRATED



All orderable Service Parts are identified for this product.
Parts that are not identified, will not be available to order.
This is a typical illustration. The unit in the field may not appear exactly as shown.

Parts List Number :4MXWUP2#4MXWUP2

Model Number :4MXW2709A10N0AA

Part No.	Reference No.	Quantity	Description
75009915_4MXWUP2_273899~P	*		INDOOR ACCESSORIES PARTS LIST

ACCESSORIES INDOOR UNITS

75009915

REV
B

* NOT ILLUSTRATED



All orderable Service Parts are identified for this product.
Parts that are not identified, will not be available to order.
This is a typical illustration. The unit in the field may not appear exactly as shown.

Part No.	Reference No.	Quantity	Description
HLD00594	*	1	HOLDER; REMOTE CONTROL
CNT06868	6	1	CONTROL; REMOTE CONTROLLER, TRANE BRAND
CNT06869	6	1	CONTROL; REMOTE CONTROLLER, AMERICAN STANDARD BRAND
FLR07580	7	1	FILTER; REPLACEMENT FILTER MEDIA; 2-PACK MEDIA, 1 CARBON MEDIA FILTER AND 1 CATECHIN MEDIA