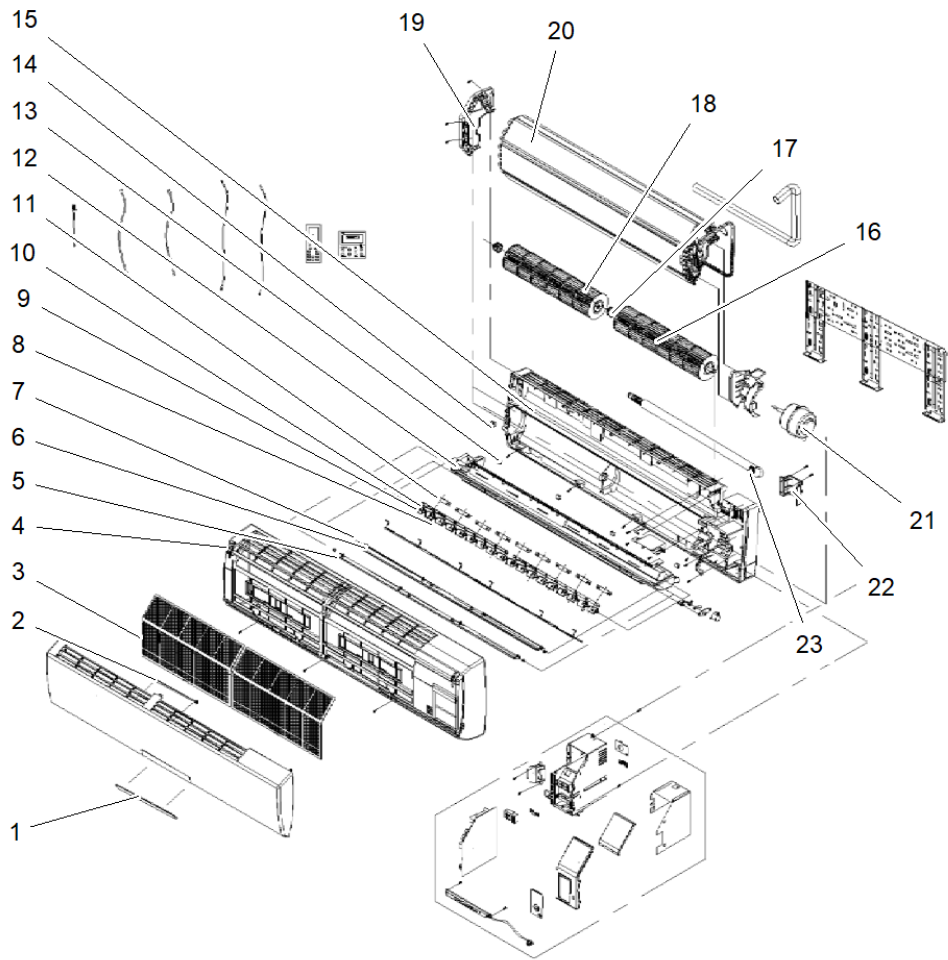


Parts List Number :0000157031

Model Number :4MXW2530A10N0AA

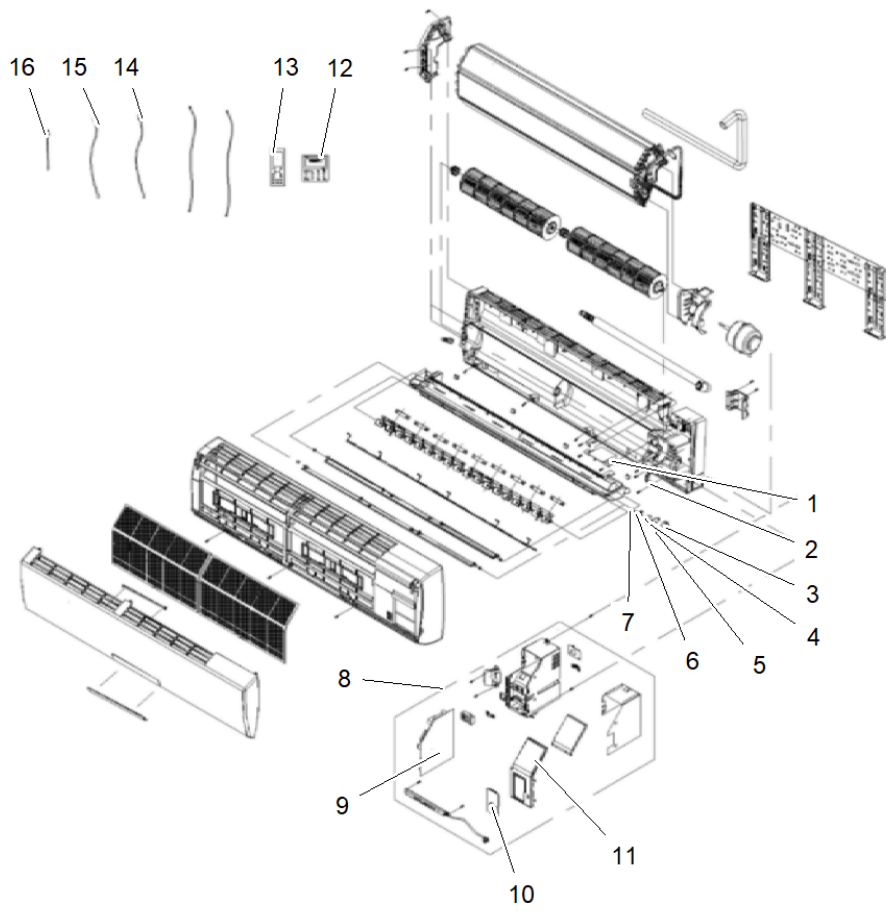
Part No.	Reference No.	Quantity	Description
0000157033~S	*		General Assembly 1
0000157034~S	*		General Assembly 2
0000157032~S	*		Model Number Description

Part No.	Reference No.	Quantity	Description
0000030662~P	*		General Assembly 1



Part No.	Reference No.	Quantity	Description
GLS01117	1	1	GLASS; WINDOW, RECEIVER
ROD01484	2	1	ROD; BAR STAND
FLR08992	3	2	FILTER; INDOOR UNIT AIR FILTER
PNL36122	4	1	PANEL; CASE, ASSY FRONT
LVR01268	5	1	LOUVER; UPPER GUIDE
LVR01269	6	1	LOUVER; LOWER GUIDE
BUS02179	7	6	BUSHING; AXILE
LVR01271	8	2	LOUVER; AIR 2
LVR01270	9	16	LOUVER; AIR 1
ROD01448	10	2	ROD; CONNECTING
CMP01543	11	9	CLAMP; LOUVER
PAN04186	12	1	PAN; WATER TRAY
COV05611	13	4	COVER; SCREW
PLU01245	14	1	PLUG; DRAIN PAN
CAS02162	15	1	CASING; REAR ASSY
FAN04754	16	1	FAN; CROSS FLOW FAN 1
HLD00701	17	1	HOLDER; BEARING, SUB-ASSY
FAN04755	18	1	FAN; CROSS FLOW FAN 2
SUP05895	19	1	SUPPORT; LEFT EVAPORATOR
EVP02927	20	1	EVAPORATOR; ASSEMBLY
MOT16744	21	1	MOTOR; FAN
CMP01544	22	1	CLAMP; PIPE
HSE01943	23	1	HOSE; DRAINAGE

Part No.	Reference No.	Quantity	Description
000030664~P	*		General Assembly 2



Part No.	Reference No.	Quantity	Description
PLT06394	1	1	PLATE; COVER
RTR00978	2	1	RETAINER; MOTOR FIXED CLIP 1
MOT13898	3	1	MOTOR; STEP MOTOR(1521210701)
TOL04893	4	1	TOOL; PRESS PLATE CRANK
LEV00434	5	1	LEVER; CRANK-GUIDE
TOL04894	6	1	TOOL; UPPER CRANK
TOL04895	7	1	TOOL; LOWER CRANK
CNT08796	8	1	CONTROL; ELECTRIC BOX ASSEMBLY
BRD06886	9	1	BOARD; MAIN PCB
COV05256	10	1	COVER; ELECTRIC BOX
COV05257	11	1	COVER; ELECTRIC BOX
BRD06884	12	1	BOARD; DISPLAY
CNT08789	13	1	CONTROL; REMOTE
WIR11409	14	1	WIRE; SIGNAL
SEN02280	15	1	SENSOR; TEMPERATURE
SEN01816	16	1	SENSOR; AMBIENT TEMPERATURE SENSOR(390000453)

Part No.	Reference No.	Quantity	Description
0000030639~P	*		Model Number Description(Indoor Unit)

MODEL NUMBER DESCRIPTION

75015157

REV
A

17/25 SEER Mini Split LOMO Indoor

Example Model Number:
4MXW1709A10N0AA
1 - - - 5 - - - 10 - - - 15

Digits 1 – Refrigerant

4 = R-410A

Digits 2 – Unit Type

M = Indoor Unit

Digits 3 – Functional Type

X = Heat Pump Inverter
Y = Cooling Only Inverter

Digits 4 – Configuration Indoor Unit

W = High Wall Unit

Digits 5, 6 – Efficiency Tier

17 = 17 SEER
25 = 25 SEER

Digits 7, 8 – Nominal Capacity (Btu/h x 1,000)

09 = 9,000 Btu/h
12 = 12,000 Btu/h
18 = 18,000 Btu/h
24 = 24,000 Btu/h
30 = 30,000 Btu/h
36 = 36,000 Btu/h

Digits 9 – Major Development Sequence

A = First Development Sequence

Digits 10 – Electric Power Supply Characteristics

1 = 208-230/60/1

Digits 11 – Reserved for Future Use

0 = Not Currently Used

Digits 12 – Regional Markets Served (1:1 Systems)

N = North America Market

Digits 13 – Reserved for Future Use

0 = Not Currently Used

Digits 14 – Minor Design Sequence

A = First Design Sequence

Digits 15 – Service Digit

A = First Sequence

