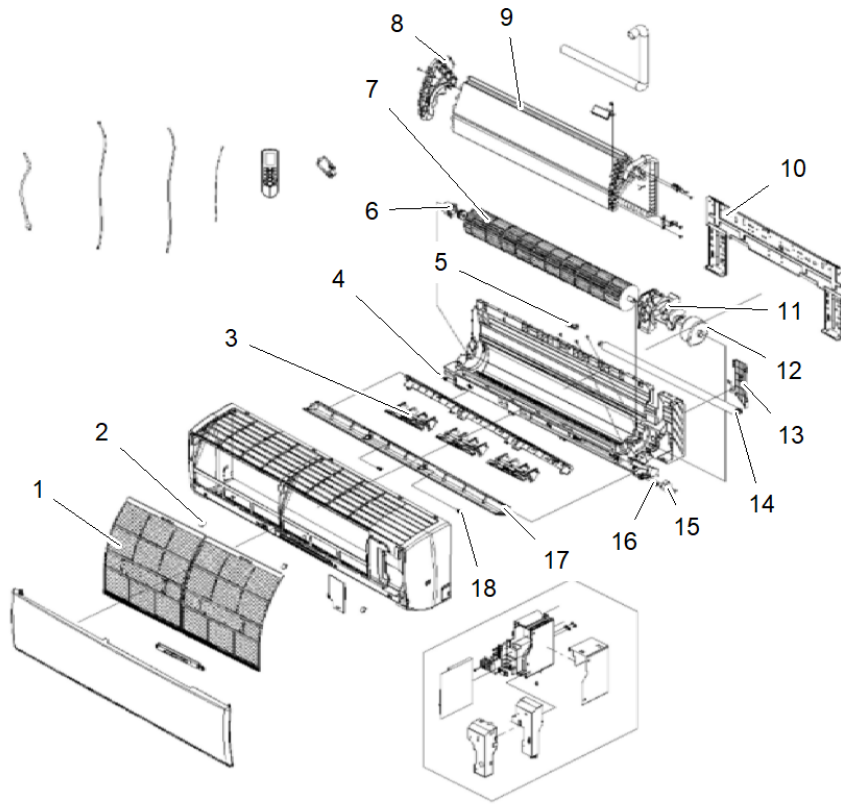


Parts List Number :0000157031

Model Number :4MXW2524A10N0AA

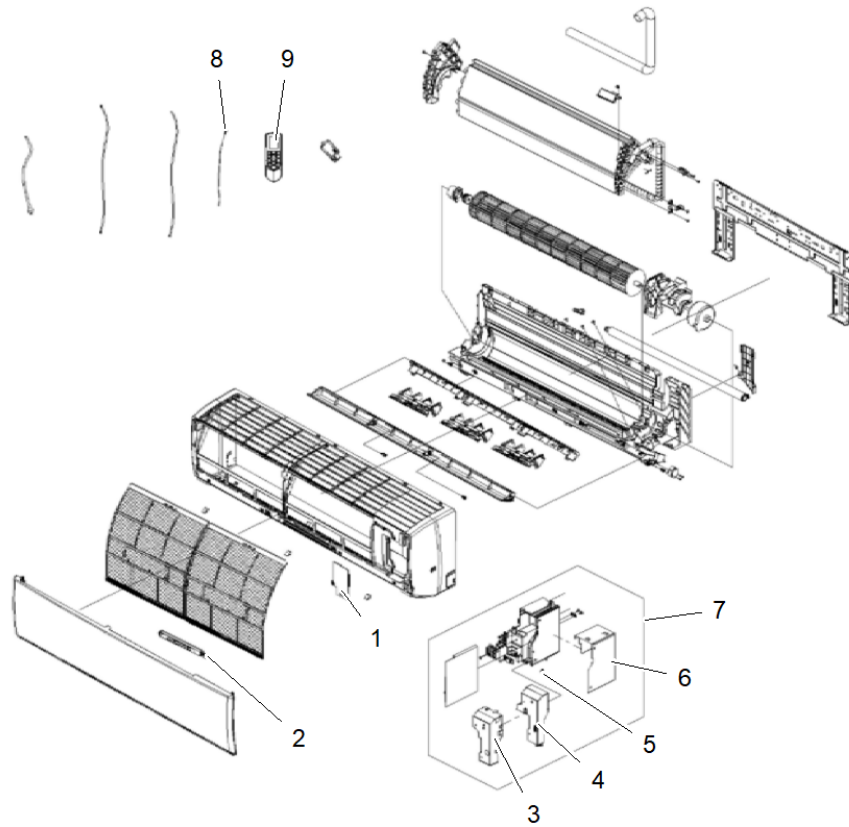
<b>Part No.</b>	<b>Reference No.</b>	<b>Quantity</b>	<b>Description</b>
0000157033~S	*		General Assembly 1
0000157034~S	*		General Assembly 2
0000157032~S	*		Model Number Description

Part No.	Reference No.	Quantity	Description
0000030681~P	*		General Assembly 1



<b>Part No.</b>	<b>Reference No.</b>	<b>Quantity</b>	<b>Description</b>
FLR08991	1	2	FILTER; INDOOR UNIT AIR FILTER
COV05145	2	3	COVER; SCREW
LVR01211	3	2	LOUVER; LEFT RIGHT 2
BUS02159	4	1	BUSHING; LEFT AXILE
PLU01245	5	1	PLUG; DRAIN PAN
BRG01961	6	1	BEARING; RING
FAN05632	7	1	FAN; CROSS FLOW
SUP06160	8	1	SUPPORT; COIL
EVP02924	9	1	EVAPORATOR; ASSEMBLY
FRM02297	10	1	FRAME; WALL MOUNTING
PLT05944	11	1	PLATE; MOTOR MOUNTING
MOT18594	12	1	MOTOR; FAN
COV05142	13	1	COVER; REFRIGERANT PIPE
HSE01638	14	1	HOSE; DRAINAGE HOSE
MOT17358	15	1	MOTOR; STEPPER
LVR01187	16	1	LOUVER; SIDE GUIDE
LVR01188	17	1	LOUVER; GUIDE
BUS02047	18	2	BUSHING; AXILE

Part No.	Reference No.	Quantity	Description
0000030682~P	*		General Assembly 2



<b>Part No.</b>	<b>Reference No.</b>	<b>Quantity</b>	<b>Description</b>
COV05103	1	1	COVER; TERMINAL
BRD05637	2	1	BOARD; DISPLAY
COV05434	3	1	COVER; ELECTRIC BOX (METAL)
COV05102	4	1	COVER; ELECTRIC BOX (PLASTIC)
CAP01367	5	1	CAP; JUMPER
BOX02964	6	1	BOX; LOWER SHIELD
CNT08794	7	1	CONTROL; ELECTRIC BOX ASSEMBLY
SEN02447	8	1	SENSOR; TEMPERATURE
CNT08789	9	1	CONTROL; REMOTE

Part No.	Reference No.	Quantity	Description
0000030639~P	*		Model Number Description(Indoor Unit)

<b>MODEL NUMBER DESCRIPTION</b>	<b>75015157</b>	REV <b>A</b>
17/25 SEER Mini Split LOMO Indoor		
<p style="text-align: center;"><i>Example Model Number:</i> <b>4MXW1709A10N0AA</b> 1 - - - 5 - - - 10 - - - 15</p>		
<b>Digits 1 – Refrigerant</b> 4 = R-410A		
<b>Digits 2 – Unit Type</b> M = Indoor Unit		
<b>Digits 3 – Functional Type</b> X = Heat Pump Inverter Y = Cooling Only Inverter		
<b>Digits 4 – Configuration Indoor Unit</b> W = High Wall Unit		
<b>Digits 5, 6 – Efficiency Tier</b> 17 = 17 SEER 25 = 25 SEER		
<b>Digits 7, 8 – Nominal Capacity (Btu/h x 1,000)</b> 09 = 9,000 Btu/h 12 = 12,000 Btu/h 18 = 18,000 Btu/h 24 = 24,000 Btu/h 30 = 30,000 Btu/h 36 = 36,000 Btu/h		
<b>Digits 9 – Major Development Sequence</b> A = First Development Sequence		
<b>Digits 10 – Electric Power Supply Characteristics</b> 1 = 208-230/60/1		
<b>Digits 11 – Reserved for Future Use</b> 0 = Not Currently Used		
<b>Digits 12 – Regional Markets Served (1:1 Systems)</b> N = North America Market		
<b>Digits 13 – Reserved for Future Use</b> 0 = Not Currently Used		
<b>Digits 14 – Minor Design Sequence</b> A = First Design Sequence		
<b>Digits 15 – Service Digit</b> A = First Sequence		
1 of 1		

