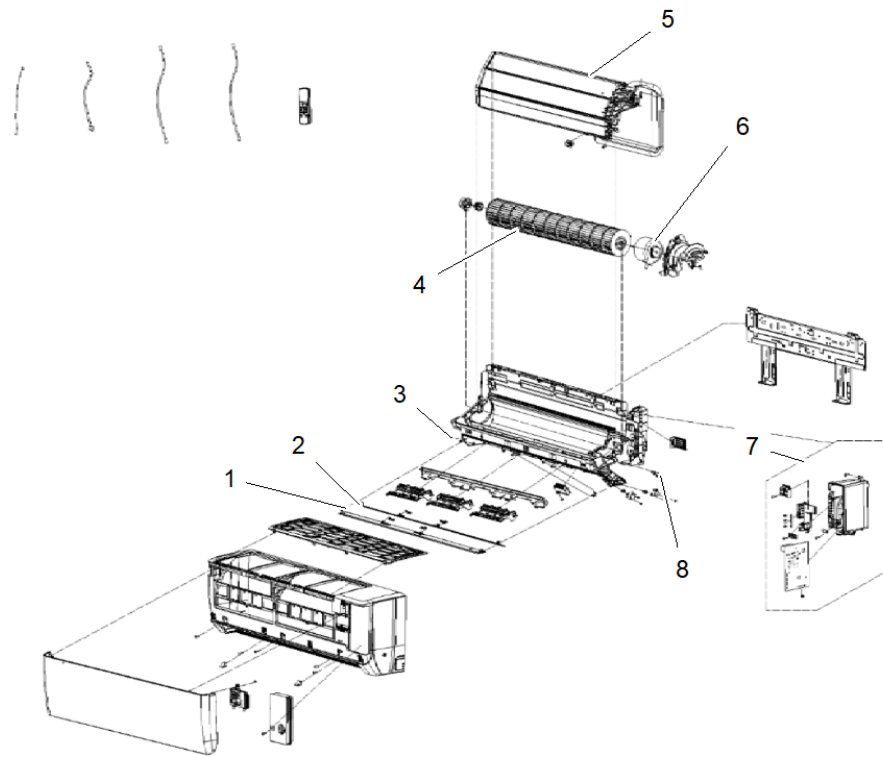


Parts List Number :0000157031

Model Number :4MXW2518A10N0AA

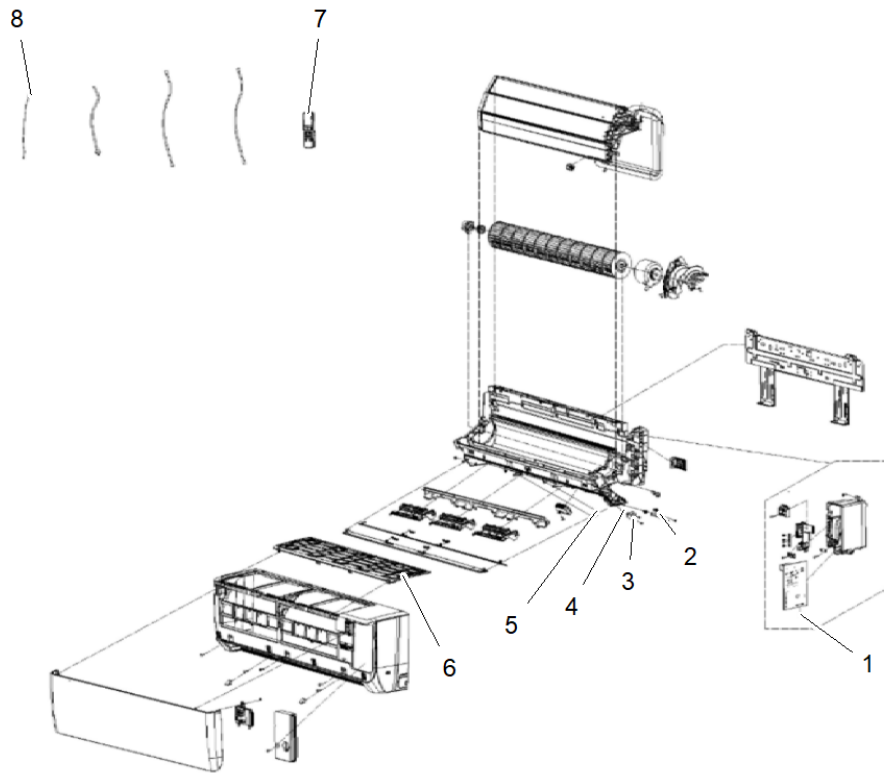
Part No.	Reference No.	Quantity	Description
0000157033~S	*		General Assembly 1
0000157034~S	*		General Assembly 2
0000157032~S	*		Model Number Description

Part No.	Reference No.	Quantity	Description
0000030657~P	*		General Assembly 1



Part No.	Reference No.	Quantity	Description
LVR01315	1	1	LOUVER; GUIDE SUB ASSY 1
LVR01316	2	1	LOUVER; GUIDE SUB ASSY 2
BUS02159	3	2	BUSHING; LEFT AXILE
FAN06586	4	1	FAN; CROSS FLOW
EVP02926	5	1	EVAPORATOR; ASSEMBLY
MOT20623	6	1	MOTOR; BRUSHLESS DC
CNT08792	7	1	CONTROL; ELECTRIC BOX ASSEMBLY
PLU01245	8	1	PLUG; DRAIN PAN

Part No.	Reference No.	Quantity	Description
0000030658~P	*		General Assembly 2



Part No.	Reference No.	Quantity	Description
CON02235	1	1	CONNECTOR; JUMPER
MOT17971	2	1	MOTOR; STEPPING
MOT17616	3	1	MOTOR; LOUVER LEFT-RIGHT STEPPER
LEV00458	4	2	LEVER; CRANK
HSE01636	5	1	HOSE; DRAINAGE HOSE
FLR09412	6	1	FILTER; SUB ASSY
CNT08789	7	1	CONTROL; REMOTE
SEN02447	8	1	SENSOR; TEMPERATURE

Part No.	Reference No.	Quantity	Description
000030639~P	*		Model Number Description(Indoor Unit)

MODEL NUMBER DESCRIPTION	75015157	REV A
17/25 SEER Mini Split LOMO Indoor		
<p style="text-align: center;"><i>Example Model Number:</i> 4MXW1709A10N0AA 1 - - - 5 - - - 10 - - - 15</p>		
<p>Digits 1 – Refrigerant 4 = R-410A</p>		
<p>Digits 2 – Unit Type M = Indoor Unit</p>		
<p>Digits 3 – Functional Type X = Heat Pump Inverter Y = Cooling Only Inverter</p>		
<p>Digits 4 – Configuration Indoor Unit W = High Wall Unit</p>		
<p>Digits 5, 6 – Efficiency Tier 17 = 17 SEER 25 = 25 SEER</p>		
<p>Digits 7, 8 – Nominal Capacity (Btu/h x 1,000) 09 = 9,000 Btu/h 12 = 12,000 Btu/h 18 = 18,000 Btu/h 24 = 24,000 Btu/h 30 = 30,000 Btu/h 36 = 36,000 Btu/h</p>		
<p>Digits 9 – Major Development Sequence A = First Development Sequence</p>		
<p>Digits 10 – Electric Power Supply Characteristics 1 = 208-230/60/1</p>		
<p>Digits 11 – Reserved for Future Use 0 = Not Currently Used</p>		
<p>Digits 12 – Regional Markets Served (1:1 Systems) N = North America Market</p>		
<p>Digits 13 – Reserved for Future Use 0 = Not Currently Used</p>		
<p>Digits 14 – Minor Design Sequence A = First Design Sequence</p>		
<p>Digits 15 – Service Digit A = First Sequence</p>		
1 of 1		

