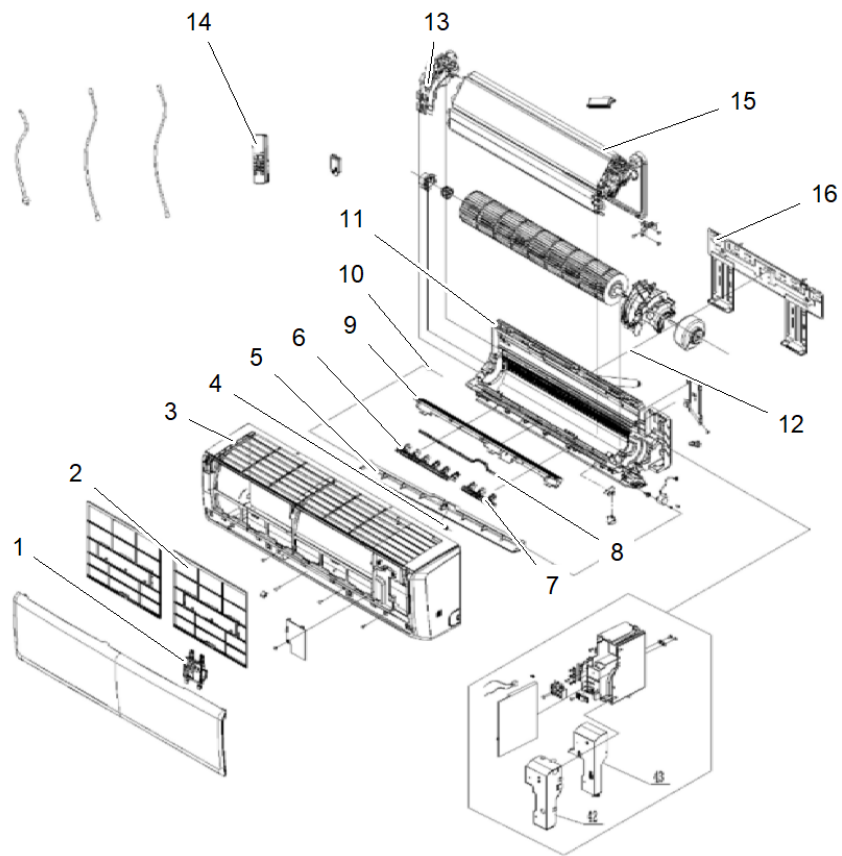


Parts List Number :0000157031

Model Number :4MXW2509A10N0AA

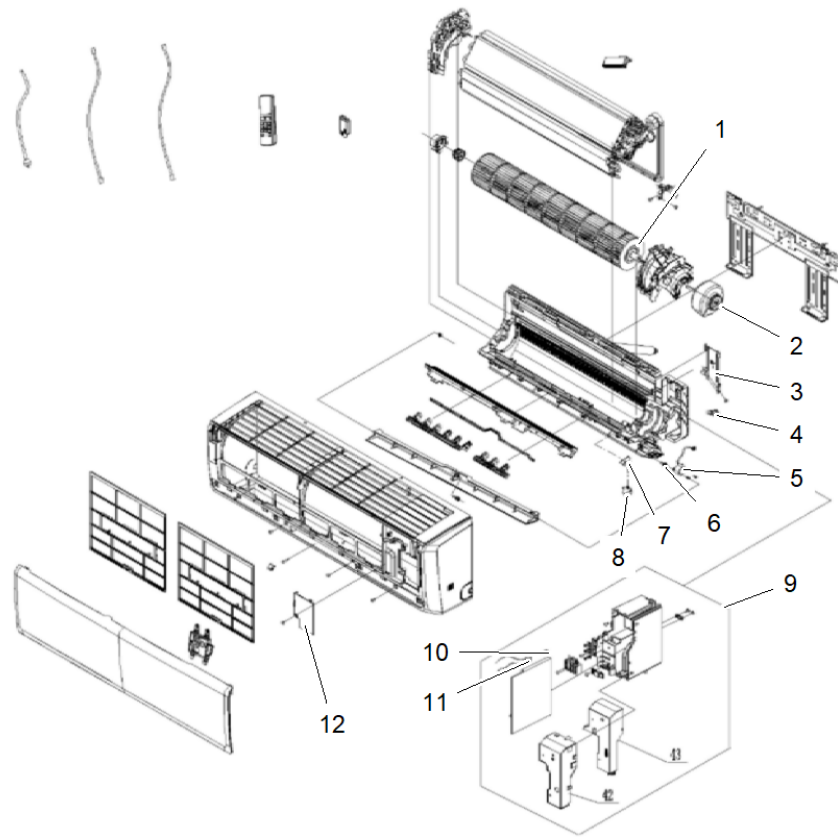
Part No.	Reference No.	Quantity	Description
0000157033~S	*		General Assembly 1
0000157034~S	*		General Assembly 2
0000157032~S	*		Model Number Description

Part No.	Reference No.	Quantity	Description
0000030678~P	*		General Assembly 1



Part No.	Reference No.	Quantity	Description
BRD05637	1	1	BOARD; DISPLAY
FLR09303	2	2	FILTER; FILTER SUB-ASSY
PNL33742	3	1	PANEL; FRONT CASE ASSEMBLY
BUS02047	4	1	BUSHING; AXILE
LVR01250	5	1	LOUVER; GUIDE
LVR01312	6	1	LOUVER; LEFT
LVR01313	7	1	LOUVER; RIGHT
LEV00457	8	1	LEVER; SWING
BRK04749	9	1	BRACKET; AIR OUTLET
BUS02159	10	1	BUSHING; LEFT AXILE
PNL38739	11	1	PANEL; REAR CASE
HSE01636	12	1	HOSE; DRAINAGE HOSE
SUP06161	13	1	SUPPORT; COIL
CNT08789	14	1	CONTROL; REMOTE
EVP02925	15	1	EVAPORATOR; ASSEMBLY
FRM01911	16	1	FRAME; WALL MOUNTING FRAME(01252484)

Part No.	Reference No.	Quantity	Description
000030679~P	*		General Assembly 2



Part No.	Reference No.	Quantity	Description
FAN05631	1	1	FAN; CROSS FLOW
MOT20621	2	1	MOTOR; DC BRUSHLESS
COV05141	3	1	COVER; REFRIGERANT PIPE
PLU01245	4	1	PLUG; DRAIN PAN
MOT17971	5	1	MOTOR; STEPPING
LVR01187	6	1	LOUVER; SIDE GUIDE
LVR01314	7	1	LOUVER; AUTO
MOT20622	8	1	MOTOR; STEPPER
CNT08790	9	1	CONTROL; ELECTRIC BOX ASSEMBLY
CAP01388	10	1	CAP; CONNECTOR, PIN (05)
SEN02447	11	1	SENSOR; TEMPERATURE
BOX02991	12	1	BOX; ELECTRIC COVER SUB ASSEMBLY

Part No.	Reference No.	Quantity	Description
0000030639~P	*		Model Number Description(Indoor Unit)

MODEL NUMBER DESCRIPTION	75015157	REV A
17/25 SEER Mini Split LOMO Indoor		
<i>Example Model Number:</i> 4MXW1709A10N0AA <small>1 - - - 5 - - - 10 - - - 15</small>		
Digits 1 – Refrigerant 4 = R-410A		
Digits 2 – Unit Type M = Indoor Unit		
Digits 3 – Functional Type X = Heat Pump Inverter Y = Cooling Only Inverter		
Digits 4 – Configuration Indoor Unit W = High Wall Unit		
Digits 5, 6 – Efficiency Tier 17 = 17 SEER 25 = 25 SEER		
Digits 7, 8 – Nominal Capacity (Btu/h x 1,000) 09 = 9,000 Btu/h 12 = 12,000 Btu/h 18 = 18,000 Btu/h 24 = 24,000 Btu/h 30 = 30,000 Btu/h 36 = 36,000 Btu/h		
Digits 9 – Major Development Sequence A = First Development Sequence		
Digits 10 – Electric Power Supply Characteristics 1 = 208-230/60/1		
Digits 11 – Reserved for Future Use 0 = Not Currently Used		
Digits 12 – Regional Markets Served (1:1 Systems) N = North America Market		
Digits 13 – Reserved for Future Use 0 = Not Currently Used		
Digits 14 – Minor Design Sequence A = First Design Sequence		
Digits 15 – Service Digit A = First Sequence		
1 of 1		

