

Part No.	Reference No.	Quantity	Description
75013017#4MXW2UP1~S	*		2.5 & 3 TON IDU GENERAL ASSY
4MXW2UP1_4MXW2UP1_268254~P	*		4MXW2UP1 PARTS LIST
75013013#4MXW2UP1~S	*		2.5 & 3 TON IDU ELECTRIC BOX ASSY
75013027#4MXW2UP1~S	*		INDOOR MODEL NOMENCLATURE

NO GRAPHIC AVAILABLE

75013702

REV
A

**NO
GRAPHIC
AVAILABLE**

MODEL NUMBER DESCRIPTION
INDOOR 23 SEER HP INVERTER HIGH WALL

75013027

REV.
A

Example Model Number:
4MXW2 3 1 2A 10 N0AA
1 - - - 5 - - - 10 - - - 15

Digits 1 – Refrigerant

4 = R-410A

Digits 2 – Unit Type

M = Indoor Unit

Digits 3 – Functional Type

X = Heat Pump Inverter
Y = Cooling Only Inverter

Digits 4 – Configuration Indoor Unit

W = High Wall Unit

Digits 5, 6 – Efficiency Tier

23 = 23 SEER

Digits 7, 8 – Nominal Capacity (Btu/h x 1,000)

09 = 9,000 Btu/h
12 = 12,000 Btu/h
18 = 18,000 Btu/h
24 = 24,000 Btu/h
30 = 34,000 Btu/h
36 = 36,000 Btu/h

Digits 9 – Major Development Sequence

A = First Development Sequence

Digits 10 – Electric Power Supply Characteristics

1 = 208-230/60/1

Digits 11 – Reserved for Future Use

0 = Not Currently Used

Digits 12 – Regional Markets Served (1:1 Systems)

N = North America Market

Digits 13 – Reserved for Future Use

0 = Not Currently Used

Digits 14 – Minor Design Sequence

A = First Design Sequence

Digits 15 – Service Digit

A = First Sequence

Part No.	Reference No.	Quantity	Description
75013027_4MXW2UP1_309475~ P	*		INDOOR MODEL NOMENCLATURE PARTS LIST

MODEL NUMBER DESCRIPTION
INDOOR 23 SEER HP INVERTER HIGH WALL

75013027

REV.
A

Example Model Number:
4MXW2 3 1 2A 10 N0AA
1 - - - 5 - - - 10 - - - 15

Digits 1 – Refrigerant
4 = R-410A

Digits 2 – Unit Type
M = Indoor Unit

Digits 3 – Functional Type
X = Heat Pump Inverter
Y = Cooling Only Inverter

Digits 4 – Configuration Indoor Unit
W = High Wall Unit

Digits 5, 6 – Efficiency Tier
23 = 23 SEER

Digits 7, 8 – Nominal Capacity (Btu/h x 1,000)
09 = 9,000 Btu/h
12 = 12,000 Btu/h
18 = 18,000 Btu/h
24 = 24,000 Btu/h
30 = 34,000 Btu/h
36 = 36,000 Btu/h

Digits 9 – Major Development Sequence
A = First Development Sequence

Digits 10 – Electric Power Supply Characteristics
1 = 208-230/60/1

Digits 11 – Reserved for Future Use
0 = Not Currently Used

Digits 12 – Regional Markets Served (1:1 Systems)
N = North America Market

Digits 13 – Reserved for Future Use
0 = Not Currently Used

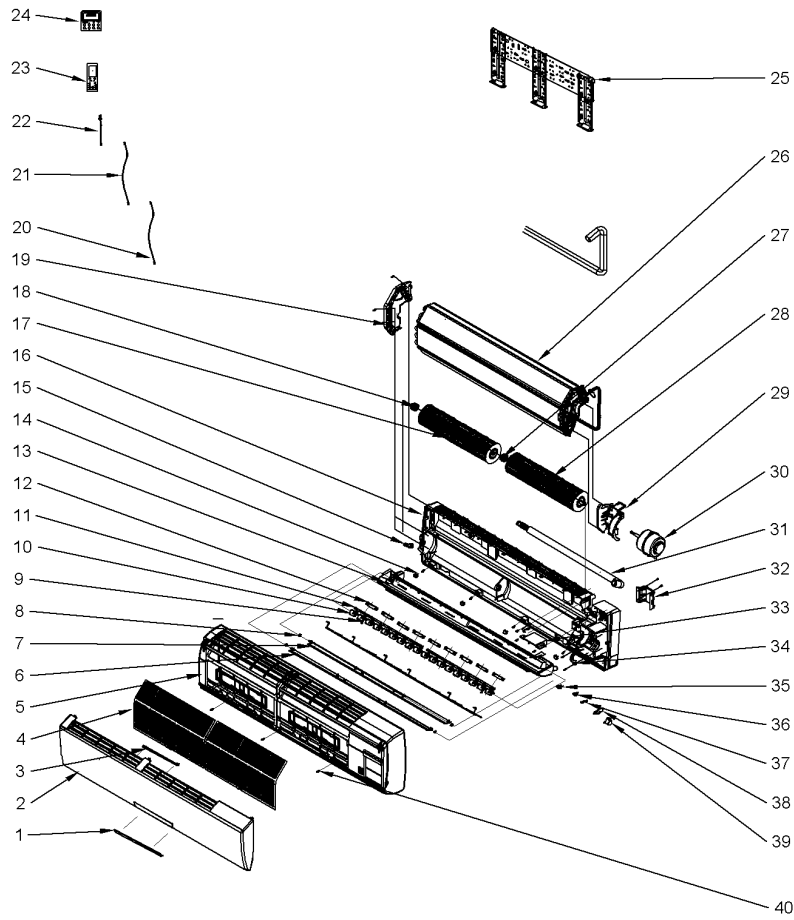
Digits 14 – Minor Design Sequence
A = First Design Sequence

Digits 15 – Service Digit
A = First Sequence

23 SEER IDU GENERAL ASSY
2.5 & 3.0 Ton

75013017

REV.
A



All orderable Service Parts are identified for this product.

Parts that are not identified, will not be available to order.

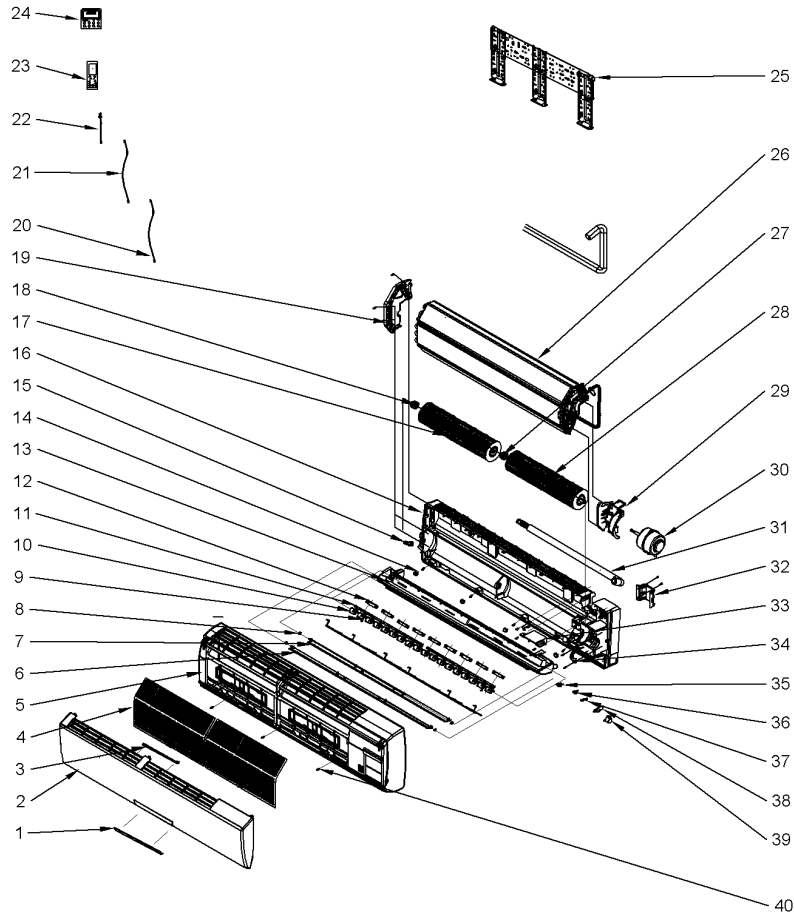
This is a typical illustration. The unit in the field may not appear exactly as shown.

Part No.	Reference No.	Quantity	Description
75013017_4MXW2UP1_337408~ P	*		2.5 & 3 TON IDU GENERAL ASSY PARTS LIST

23 SEER IDU GENERAL ASSY
2.5 & 3.0 Ton

75013017

REV.
A



All orderable Service Parts are identified for this product.

Parts that are not identified, will not be available to order.

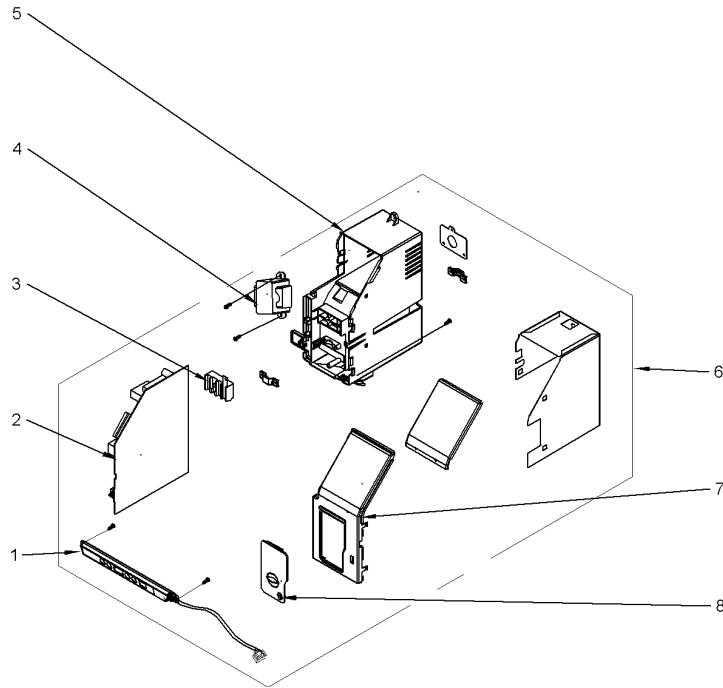
This is a typical illustration. The unit in the field may not appear exactly as shown.

Part No.	Reference No.	Quantity	Description
GLS01098	1	1	GLASS; RECEIVER WINDOW
PNL36424	2	1	PANEL; FRONT DOOR ASSEMBLY
STR01735	3	1	STRIP; STAND BAR
FLR08992	4	2	FILTER; INDOOR UNIT AIR FILTER
PNL34458	5	1	PANEL; FRONT CASE, SUB-ASSY
LVR01127	6	1	LOUVER; UPPER GUIDE
LVR01128	7	1	LOUVER; LOWER GUIDE
BUS02179	8	6	BUSHING; AXILE
LVR01130	9	2	LOUVER; AIR LOUVER 2
LVR01129	10	16	LOUVER; AIR LOUVER 1
ROD01448	11	2	ROD; CONNECTING
CMP01543	12	9	CLAMP; LOUVER
PAN03321	13	1	PAN; WATER TRAY
COV05362	14	4	COVER; SCREW
PLU01245	15	1	PLUG; DRAIN PAN
PAN04041	16	1	PAN; REAR CASE ASSY
FAN04755	17	1	FAN; CROSS FLOW FAN 2
GKT04242	18	1	GASKET; O-GASKET SUB-ASSY OF BEARING(76512051)
SUP05895	19	1	SUPPORT; LEFT EVAPORATOR
WIR07893	20	1	WIRE; SIGNAL WIRE
SEN02280	21	1	SENSOR; TEMPERATURE
SEN01816	22	1	SENSOR; AMBIENT TEMPERATURE SENSOR(390000453)
AREMOTE2AHANDA	23	1	REMOTE CONTROLLER -AMERICAN STANDARD BRAND
TREMOTE2AHANDA	23	1	WIRELESS CONTROLLER FOR (MULT)
BRD04355	24	1	BOARD; DISPLAY
FRM02097	25	1	FRAME; WALL MOUNTING
COL25171	26	1	COIL; EVAPORATOR ASSY, INDOOR
HLD00701	27	1	HOLDER; BEARING, SUB-ASSY
FAN04754	28	1	FAN; CROSS FLOW FAN 1
MOT16744	30	1	MOTOR; FAN
HSE01943	31	1	HOSE; DRAINAGE
CMP01544	32	1	CLAMP; PIPE
PLT06146	33	1	PLATE; COVER
RTR00978	34	1	RETAINER; MOTOR FIXED CLIP 1
TOL04895	35	1	TOOL; LOWER CRANK
TOL04894	36	1	TOOL; UPPER CRANK
LEV00434	37	1	LEVER; CRANK-GUIDE
TOL04893	38	1	TOOL; PRESS PLATE CRANK
MOT13898	39	1	MOTOR; STEP MOTOR(1521210701)

23 SEER IDU ELECTRIC BOX ASSY
2.5 & 3.0 Ton

75013013

REV
A



All orderable Service Parts are identified for this product.

Parts that are not identified, will not be available to order.

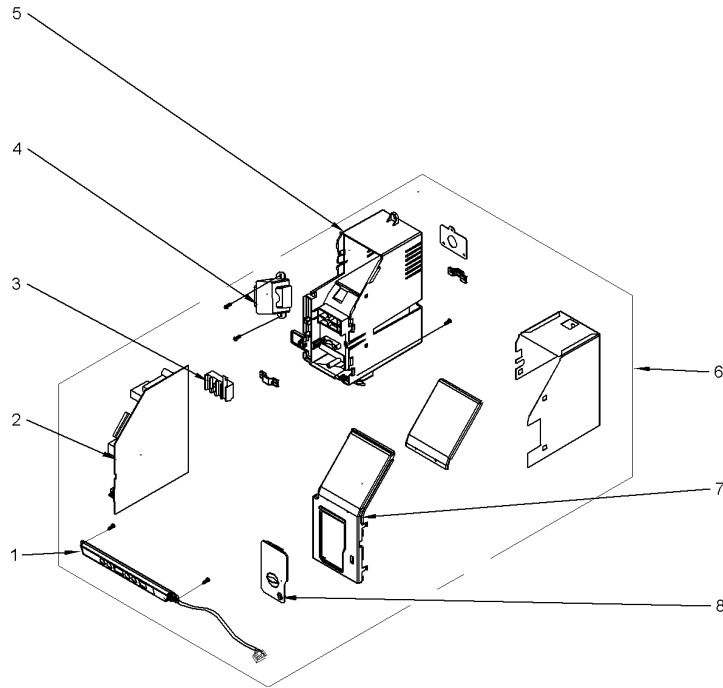
This is a typical illustration. The unit in the field may not appear exactly as shown.

Part No.	Reference No.	Quantity	Description
75013013_4MXW2UP1_337407~ P	*		2.5 & 3 TON IDU ELECTRIC BOX ASSY PARTS LIST

23 SEER IDU ELECTRIC BOX ASSY
2.5 & 3.0 Ton

75013013

REV
A



All orderable Service Parts are identified for this product.
Parts that are not identified, will not be available to order.
This is a typical illustration. The unit in the field may not appear exactly as shown.

Parts List Number :4MXW2UP1#4MXW2UP1

Model Number :4MXW2336A10N0AA

Part No.	Reference No.	Quantity	Description
BRD06886	2	1	BOARD; MAIN PCB
BRD02648	3	1	BOARD; TERMINAL,
BOX02638	5	1	BOX; ELECTRIC
BOX03848	6	1	BOX; ENCLOSURE INCLUDES MAIN BOARD, DISPLAY BOARD, TRANSFORMER, TERMINAL STRIP, METAL AND PLASTIC COVERS AND CONTROL BOX COVER
COV05257	7	1	COVER; ELECTRIC BOX
COV05256	8	1	COVER; ELECTRIC BOX