

<b>Part No.</b>	<b>Reference No.</b>	<b>Quantity</b>	<b>Description</b>
75013017#4MXW2UP1~S	*		2.5 & 3 TON IDU GENERAL ASSY
4MXW2UP1_4MXW2UP1_268254~P	*		4MXW2UP1 PARTS LIST
75013013#4MXW2UP1~S	*		2.5 & 3 TON IDU ELECTRIC BOX ASSY
75013027#4MXW2UP1~S	*		INDOOR MODEL NOMENCLATURE

NO GRAPHIC AVAILABLE

75013702

REV  
A

**NO  
GRAPHIC  
AVAILABLE**

MODEL NUMBER DESCRIPTION  
INDOOR 23 SEER HP INVERTER HIGH WALL

75013027

REV.  
A

*Example Model Number:*  
**4MXW2 3 1 2A 10 N0AA**  
1 - - - 5 - - - 10 - - - 15

**Digits 1 – Refrigerant**  
4 = R-410A

**Digits 2 – Unit Type**  
M = Indoor Unit

**Digits 3 – Functional Type**  
X = Heat Pump Inverter  
Y = Cooling Only Inverter

**Digits 4 – Configuration Indoor Unit**  
W = High Wall Unit

**Digits 5, 6 – Efficiency Tier**  
23 = 23 SEER

**Digits 7, 8 – Nominal Capacity (Btu/h x 1,000)**  
09 = 9,000 Btu/h  
12 = 12,000 Btu/h  
18 = 18,000 Btu/h  
24 = 24,000 Btu/h  
30 = 34,000 Btu/h  
36 = 36,000 Btu/h

**Digits 9 – Major Development Sequence**  
A = First Development Sequence

**Digits 10 – Electric Power Supply Characteristics**  
1 = 208-230/60/1

**Digits 11 – Reserved for Future Use**  
0 = Not Currently Used

**Digits 12 – Regional Markets Served (1:1 Systems)**  
N = North America Market

**Digits 13 – Reserved for Future Use**  
0 = Not Currently Used

**Digits 14 – Minor Design Sequence**  
A = First Design Sequence

**Digits 15 – Service Digit**  
A = First Sequence

Part No.	Reference No.	Quantity	Description
75013027_4MXW2UP1_309475~ P	*		INDOOR MODEL NOMENCLATURE PARTS LIST

MODEL NUMBER DESCRIPTION  
INDOOR 23 SEER HP INVERTER HIGH WALL

75013027

REV.  
A

*Example Model Number:*  
**4MXW2 3 1 2A 10 N0AA**  
1 - - - 5 - - - 10 - - - 15

**Digits 1 – Refrigerant**  
4 = R-410A

**Digits 2 – Unit Type**  
M = Indoor Unit

**Digits 3 – Functional Type**  
X = Heat Pump Inverter  
Y = Cooling Only Inverter

**Digits 4 – Configuration Indoor Unit**  
W = High Wall Unit

**Digits 5, 6 – Efficiency Tier**  
23 = 23 SEER

**Digits 7, 8 – Nominal Capacity (Btu/h x 1,000)**  
09 = 9,000 Btu/h  
12 = 12,000 Btu/h  
18 = 18,000 Btu/h  
24 = 24,000 Btu/h  
30 = 34,000 Btu/h  
36 = 36,000 Btu/h

**Digits 9 – Major Development Sequence**  
A = First Development Sequence

**Digits 10 – Electric Power Supply Characteristics**  
1 = 208-230/60/1

**Digits 11 – Reserved for Future Use**  
0 = Not Currently Used

**Digits 12 – Regional Markets Served (1:1 Systems)**  
N = North America Market

**Digits 13 – Reserved for Future Use**  
0 = Not Currently Used

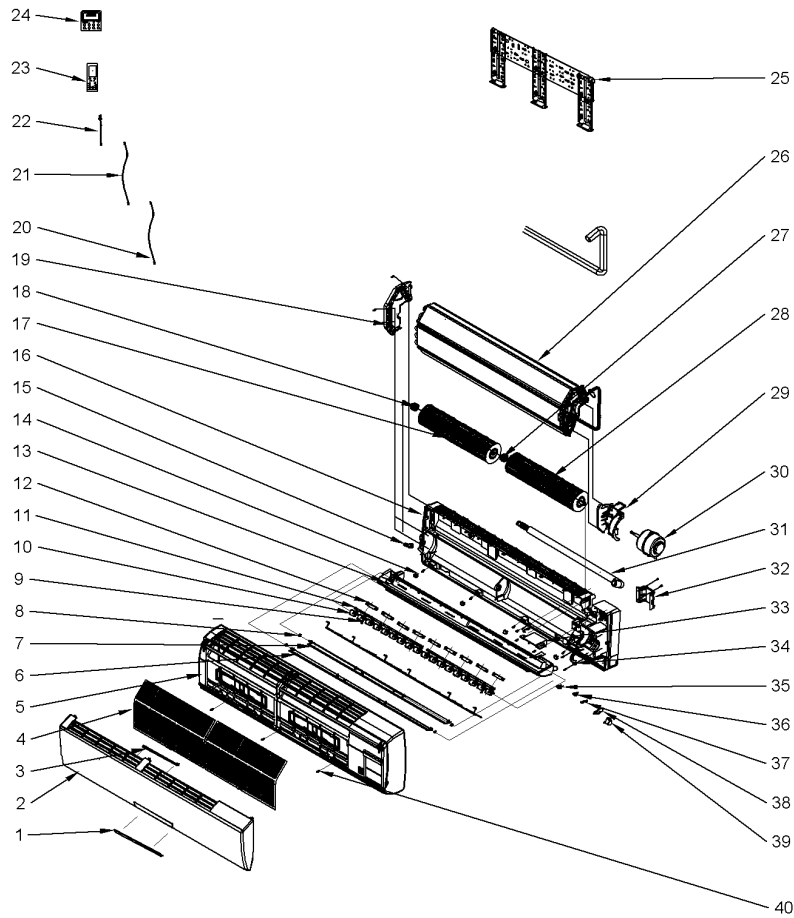
**Digits 14 – Minor Design Sequence**  
A = First Design Sequence

**Digits 15 – Service Digit**  
A = First Sequence

23 SEER IDU GENERAL ASSY  
2.5 & 3.0 Ton

75013017

REV.  
A



All orderable Service Parts are identified for this product.

Parts that are not identified, will not be available to order.

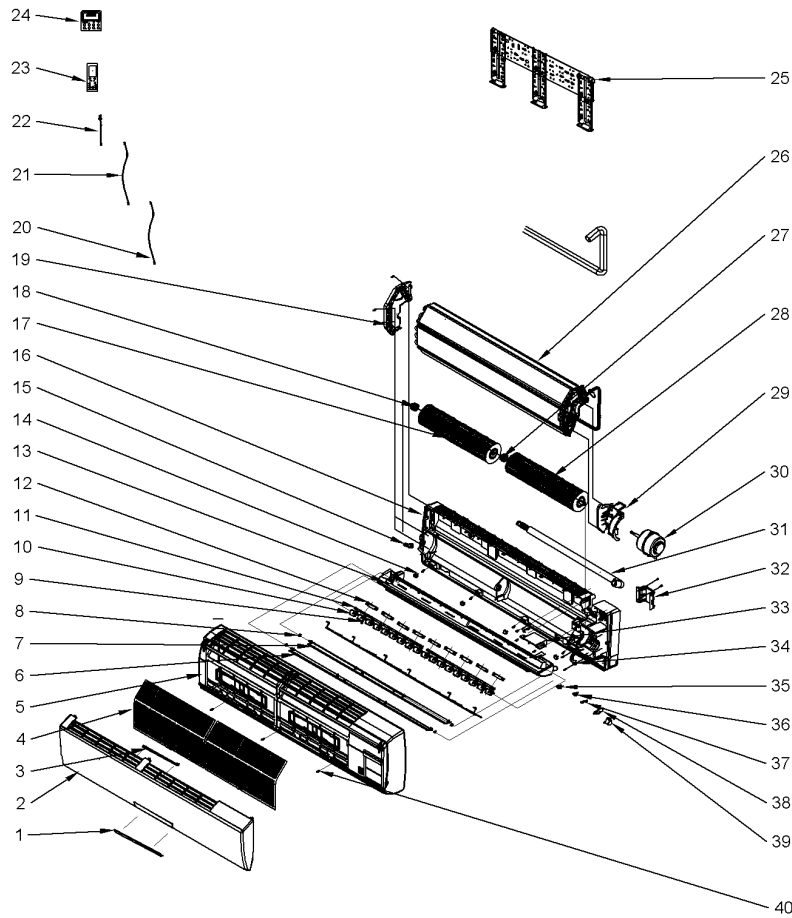
This is a typical illustration. The unit in the field may not appear exactly as shown.

Part No.	Reference No.	Quantity	Description
75013017_4MXW2UP1_382881~ P	*		2.5 & 3 TON IDU GENERAL ASSY PARTS LIST

23 SEER IDU GENERAL ASSY  
2.5 & 3.0 Ton

75013017

REV.  
A



All orderable Service Parts are identified for this product.

Parts that are not identified, will not be available to order.

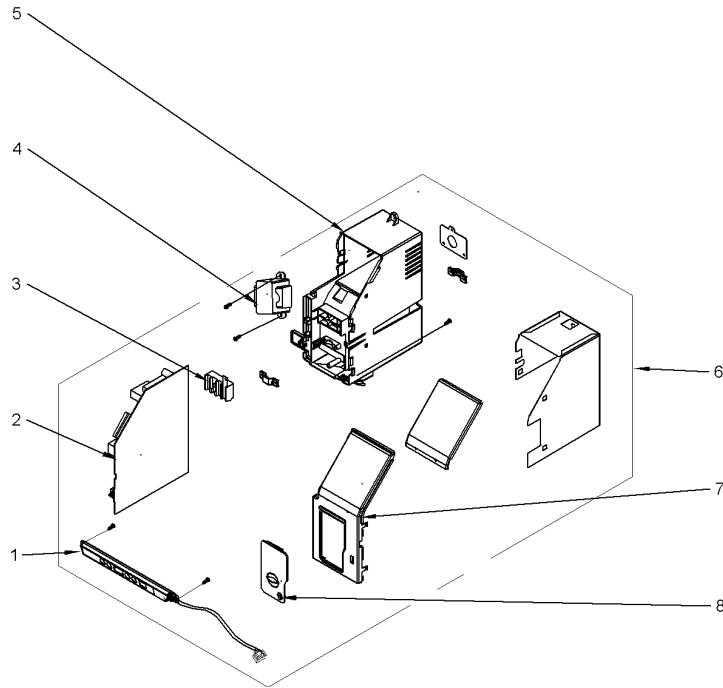
This is a typical illustration. The unit in the field may not appear exactly as shown.

Part No.	Reference No.	Quantity	Description
GLS01098	1	1	GLASS; RECEIVER WINDOW
PNL36424	2	1	PANEL; FRONT DOOR ASSEMBLY
STR01735	3	1	STRIP; STAND BAR
FLR08992	4	2	FILTER; INDOOR UNIT AIR FILTER
PNL34458	5	1	PANEL; FRONT CASE, SUB-ASSY
LVR01127	6	1	LOUVER; UPPER GUIDE
LVR01128	7	1	LOUVER; LOWER GUIDE
BUS02179	8	6	BUSHING; AXILE
LVR01130	9	2	LOUVER; AIR LOUVER 2
LVR01129	10	16	LOUVER; AIR LOUVER 1
ROD01448	11	2	ROD; CONNECTING
CMP01543	12	9	CLAMP; LOUVER
PAN03321	13	1	PAN; WATER TRAY
COV05611	14	4	COVER; SCREW
PLU01245	15	1	PLUG; DRAIN PAN
PAN04041	16	1	PAN; REAR CASE ASSY
FAN04755	17	1	FAN; CROSS FLOW FAN 2
GKT04242	18	1	GASKET; O-GASKET SUB-ASSY OF BEARING( 76512051)
SUP05895	19	1	SUPPORT; LEFT EVAPORATOR
WIR07893	20	1	WIRE; SIGNAL WIRE
SEN02280	21	1	SENSOR; TEMPERATURE
SEN01816	22	1	SENSOR; AMBIENT TEMPERATURE SENSOR( 390000453)
AREMOTE2AHANDA	23	1	REMOTE CONTROLLER -AMERICAN STANDARD BRAND
TREMOTE2AHANDA	23	1	WIRELESS CONTROLLER FOR (MULT)
BRD04355	24	1	BOARD; DISPLAY
FRM02097	25	1	FRAME; WALL MOUNTING
COL25171	26	1	COIL; EVAPORATOR ASSY, INDOOR
HLD00701	27	1	HOLDER; BEARING, SUB-ASSY
FAN04754	28	1	FAN; CROSS FLOW FAN 1
MOT16744	30	1	MOTOR; FAN
HSE01943	31	1	HOSE; DRAINAGE
CMP01544	32	1	CLAMP; PIPE
PLT06146	33	1	PLATE; COVER
RTR00978	34	1	RETAINER; MOTOR FIXED CLIP 1
TOL04895	35	1	TOOL; LOWER CRANK
TOL04894	36	1	TOOL; UPPER CRANK
LEV00434	37	1	LEVER; CRANK-GUIDE
TOL04893	38	1	TOOL; PRESS PLATE CRANK
MOT13898	39	1	MOTOR; STEP MOTOR( 1521210701)

23 SEER IDU ELECTRIC BOX ASSY  
2.5 & 3.0 Ton

75013013

REV  
A



All orderable Service Parts are identified for this product.

Parts that are not identified, will not be available to order.

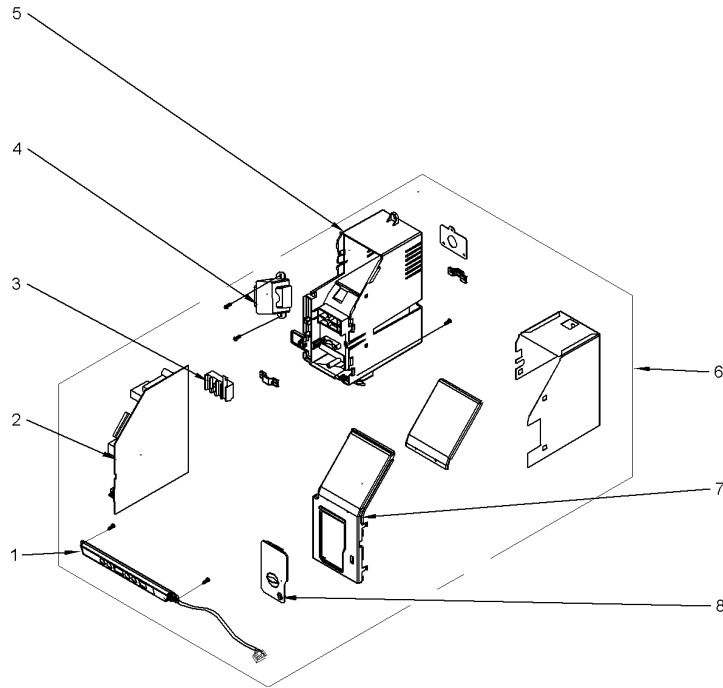
This is a typical illustration. The unit in the field may not appear exactly as shown.

Part No.	Reference No.	Quantity	Description
75013013_4MXW2UP1_382880~ P	*		2.5 & 3 TON IDU ELECTRIC BOX ASSY PARTS LIST

23 SEER IDU ELECTRIC BOX ASSY  
2.5 & 3.0 Ton

75013013

REV  
A



All orderable Service Parts are identified for this product.

Parts that are not identified, will not be available to order.

This is a typical illustration. The unit in the field may not appear exactly as shown.

Parts List Number :4MXW2UP1#4MXW2UP1

Model Number :4MXW2330A10N0AA

<b>Part No.</b>	<b>Reference No.</b>	<b>Quantity</b>	<b>Description</b>
BRD06886	2	1	BOARD; MAIN PCB
BRD02648	3	1	BOARD; TERMINAL,
BOX02638	5	1	BOX; ELECTRIC
BOX03847	6	1	BOX; ENCLOSURE INCLUDES MAIN BOARD, DISPLAY BOARD, TRANSFORMER, TERMINAL STRIP, METAL AND PLASTIC COVERS AND CONTROL BOX COVER
COV05257	7	1	COVER; ELECTRIC BOX
COV05256	8	1	COVER; ELECTRIC BOX