

<b>Part No.</b>	<b>Reference No.</b>	<b>Quantity</b>	<b>Description</b>
75013012#4MXW2UP1~S	*		1.5 & 2 TON IDU ELECTRIC BOX ASSY
75013016#4MXW2UP1~S	*		2 TON IDU GENERAL ASSY
4MXW2UP1_4MXW2UP1_268254 ~P	*		4MXW2UP1 PARTS LIST
75013027#4MXW2UP1~S	*		INDOOR MODEL NOMENCLATURE

NO GRAPHIC AVAILABLE

75013702

REV  
A

**NO  
GRAPHIC  
AVAILABLE**

MODEL NUMBER DESCRIPTION  
INDOOR 23 SEER HP INVERTER HIGH WALL

75013027

REV.  
A

*Example Model Number:*  
**4MXW2 3 1 2A 10 N0AA**  
1 - - - 5 - - - 10 - - - 15

**Digits 1 – Refrigerant**  
4 = R-410A

**Digits 2 – Unit Type**  
M = Indoor Unit

**Digits 3 – Functional Type**  
X = Heat Pump Inverter  
Y = Cooling Only Inverter

**Digits 4 – Configuration Indoor Unit**  
W = High Wall Unit

**Digits 5, 6 – Efficiency Tier**  
23 = 23 SEER

**Digits 7, 8 – Nominal Capacity (Btu/h x 1,000)**  
09 = 9,000 Btu/h  
12 = 12,000 Btu/h  
18 = 18,000 Btu/h  
24 = 24,000 Btu/h  
30 = 34,000 Btu/h  
36 = 36,000 Btu/h

**Digits 9 – Major Development Sequence**  
A = First Development Sequence

**Digits 10 – Electric Power Supply Characteristics**  
1 = 208-230/60/1

**Digits 11 – Reserved for Future Use**  
0 = Not Currently Used

**Digits 12 – Regional Markets Served (1:1 Systems)**  
N = North America Market

**Digits 13 – Reserved for Future Use**  
0 = Not Currently Used

**Digits 14 – Minor Design Sequence**  
A = First Design Sequence

**Digits 15 – Service Digit**  
A = First Sequence

Part No.	Reference No.	Quantity	Description
75013027_4MXW2UP1_309475~ P	*		INDOOR MODEL NOMENCLATURE PARTS LIST

MODEL NUMBER DESCRIPTION  
INDOOR 23 SEER HP INVERTER HIGH WALL

75013027

REV.  
A

*Example Model Number:*  
**4MXW2 3 1 2A 10 N0AA**  
1 - - - 5 - - - 10 - - - 15

**Digits 1 – Refrigerant**  
4 = R-410A

**Digits 2 – Unit Type**  
M = Indoor Unit

**Digits 3 – Functional Type**  
X = Heat Pump Inverter  
Y = Cooling Only Inverter

**Digits 4 – Configuration Indoor Unit**  
W = High Wall Unit

**Digits 5, 6 – Efficiency Tier**  
23 = 23 SEER

**Digits 7, 8 – Nominal Capacity (Btu/h x 1,000)**  
09 = 9,000 Btu/h  
12 = 12,000 Btu/h  
18 = 18,000 Btu/h  
24 = 24,000 Btu/h  
30 = 34,000 Btu/h  
36 = 36,000 Btu/h

**Digits 9 – Major Development Sequence**  
A = First Development Sequence

**Digits 10 – Electric Power Supply Characteristics**  
1 = 208-230/60/1

**Digits 11 – Reserved for Future Use**  
0 = Not Currently Used

**Digits 12 – Regional Markets Served (1:1 Systems)**  
N = North America Market

**Digits 13 – Reserved for Future Use**  
0 = Not Currently Used

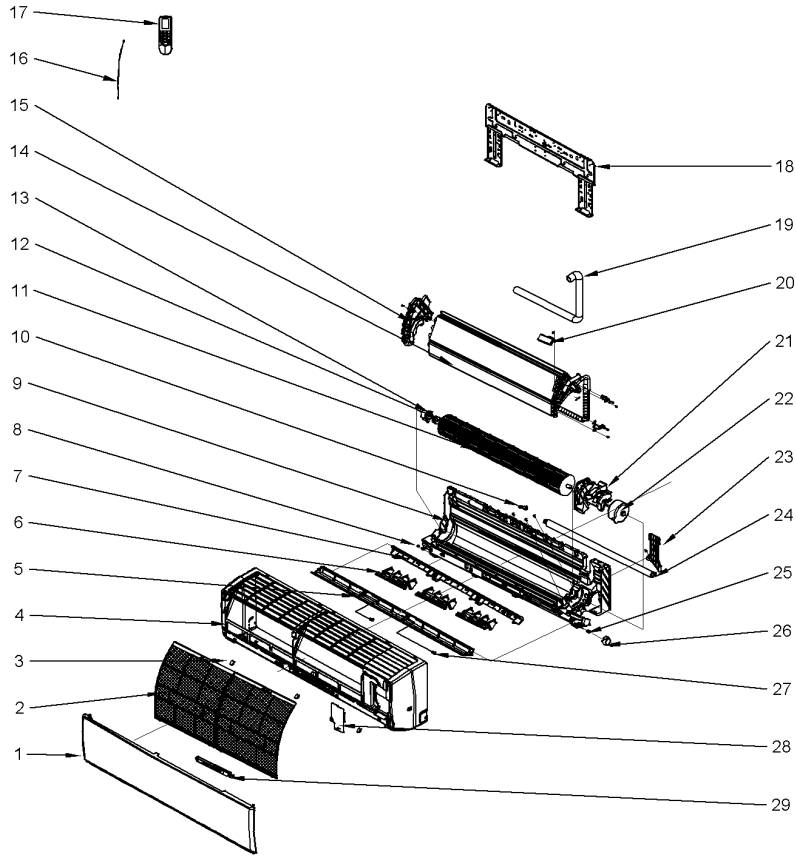
**Digits 14 – Minor Design Sequence**  
A = First Design Sequence

**Digits 15 – Service Digit**  
A = First Sequence

23 SEER IDU GENERAL ASSY  
2.0 Ton

75013016

REV.  
A



All orderable Service Parts are identified for this product.

Parts that are not identified, will not be available to order.

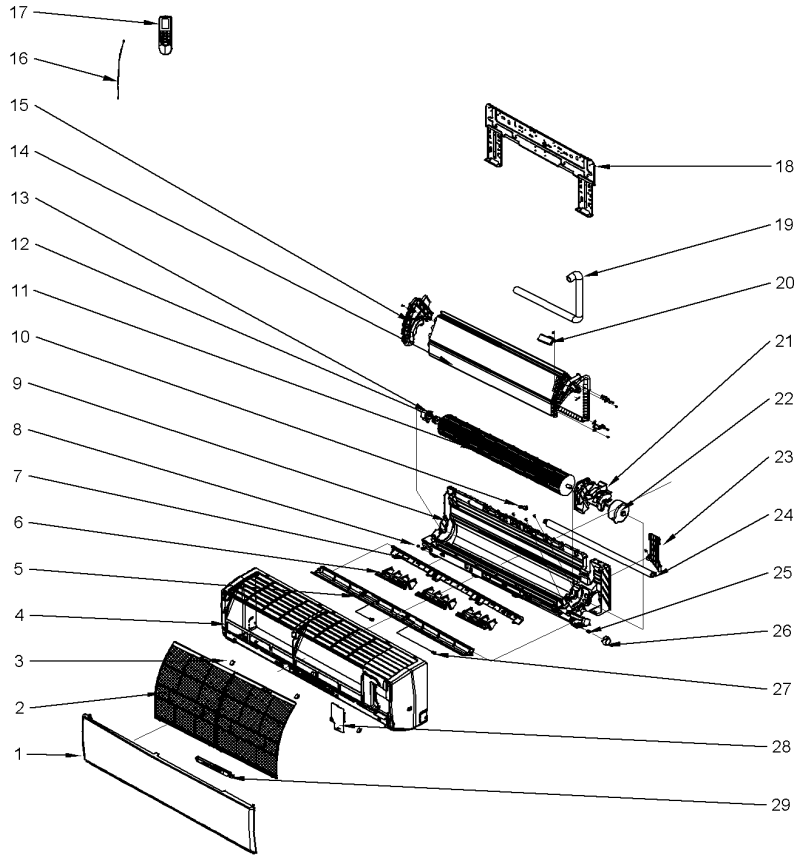
This is a typical illustration. The unit in the field may not appear exactly as shown.

Part No.	Reference No.	Quantity	Description
75013016_4MXW2UP1_355528~ P	*		2 TON IDU GENERAL ASSY PARTS LIST

23 SEER IDU GENERAL ASSY  
2.0 Ton

75013016

REV.  
A



All orderable Service Parts are identified for this product.

Parts that are not identified, will not be available to order.

This is a typical illustration. The unit in the field may not appear exactly as shown.

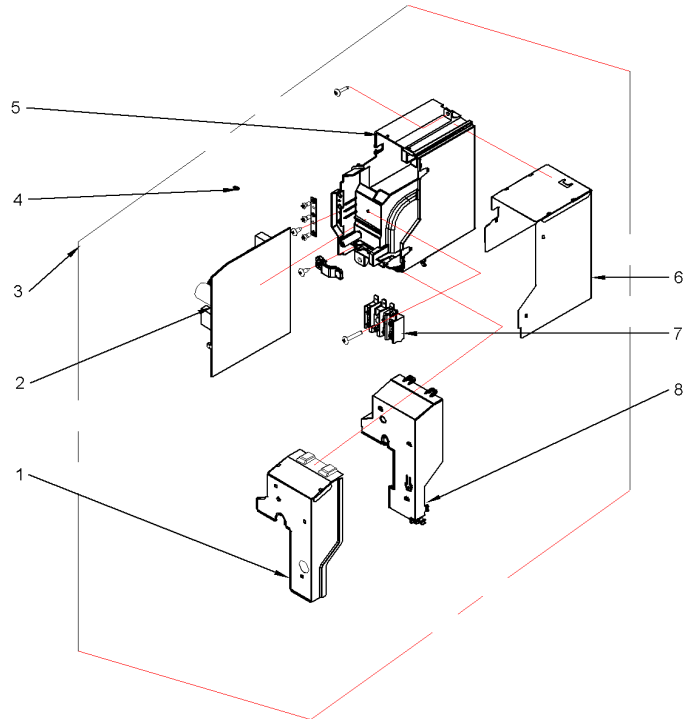
Part No.	Reference No.	Quantity	Description
GRL02219	*	1	GRILLE; REAR SUB-ASSY
PNL33740	1	1	PANEL; FRONT
FLR08991	2	2	FILTER; INDOOR UNIT AIR FILTER
COV05145	3	3	COVER; SCREW
PNL33741	4	1	PANEL; FRONT CASE ASSEMBLY
LVR01188	5	1	LOUVER; GUIDE
LVR01199	6	3	LOUVER; AIR (MANUAL)
BRK04750	7	1	BRACKET; AIR OUTLET SUB ASSEMBLY
BUS02159	8	1	BUSHING; LEFT AXILE
CAS02084	9	1	CASE; REAR ASSEMBLY
PLU01245	10	1	PLUG; DRAIN PAN
FAN05632	11	1	FAN; CROSS FLOW
GKT04242	12	1	GASKET; O-GASKET SUB-ASSY OF BEARING( 76512051)
BRG01961	13	1	BEARING; RING
COL27455	14	1	COIL; EVAP
SUP06160	15	1	SUPPORT; COIL
SEN02447	16	1	SENSOR; TEMPERATURE
AREMOTE2AHANDA	17	1	REMOTE CONTROLLER -AMERICAN STANDARD BRAND
TREMOTE2AHANDA	17	1	WIRELESS CONTROLLER FOR (MULT)
FRM02297	18	1	FRAME; WALL MOUNTING
PLT05944	21	1	PLATE; MOTOR MOUNTING
MOT14613	22	1	MOTOR; FAN
COV05142	23	1	COVER; REFRIGERANT PIPE
HSE01638	24	1	HOSE; DRAINAGE HOSE
LVR01187	25	1	LOUVER; SIDE GUIDE
MOT17358	26	1	MOTOR; STEPPER
BUS02047	27	2	BUSHING; AXILE
COV05103	28	1	COVER; TERMINAL
BRD05637	29	1	BOARD; DISPLAY

23 SEER IDU ELECTRIC BOX ASSY

75013012

REV.  
A

1.5 & 2.0 Ton



All orderable Service Parts are identified for this product.

Parts that are not identified, will not be available to order.

This is a typical illustration. The unit in the field may not appear exactly as shown.

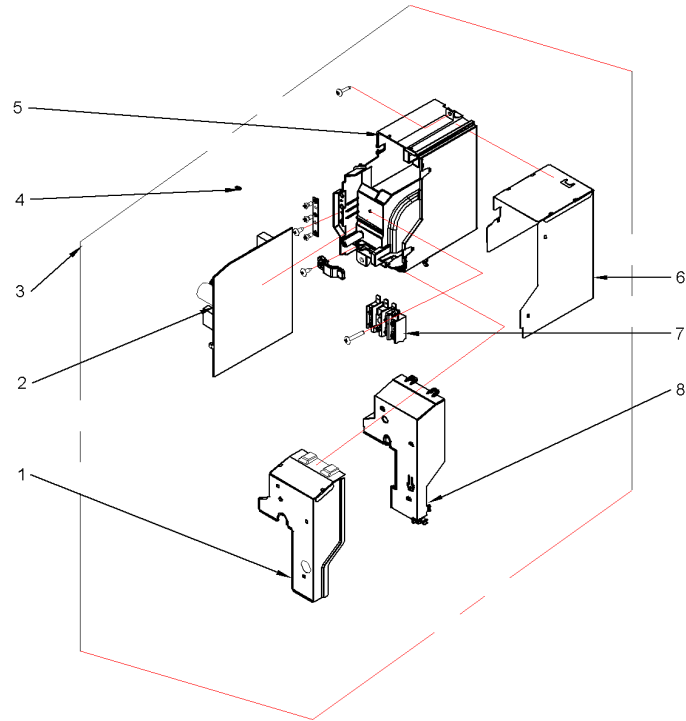
Part No.	Reference No.	Quantity	Description
75013012_4MXW2UP1_355527~ P	*		1.5 & 2 TON IDU ELECTRIC BOX ASSY PARTS LIST

23 SEER IDU ELECTRIC BOX ASSY

75013012

REV  
A

1.5 & 2.0 Ton



All orderable Service Parts are identified for this product.

Parts that are not identified, will not be available to order.

This is a typical illustration. The unit in the field may not appear exactly as shown.

Parts List Number :4MXW2UP1#4MXW2UP1

Model Number :4MXW2324A10N0AA

<b>Part No.</b>	<b>Reference No.</b>	<b>Quantity</b>	<b>Description</b>
COV05434	1	1	COVER; ELECTRIC BOX (METAL)
BRD06887	2	1	BOARD; MAIN PCB
BOX03735	3	1	BOX; ELECTRIC ASSY
CAP01325	4	1	CAP; JUMPER
BOX02965	5	1	BOX; ELECTRIC
BOX02964	6	1	BOX; LOWER SHIELD
BRD02648	7	1	BOARD; TERMINAL,
COV05102	8	1	COVER; ELECTRIC BOX (PLASTIC)