

Part No.	Reference No.	Quantity	Description
75013012#4MXW2UP1~S	*		1.5 & 2 TON IDU ELECTRIC BOX ASSY
75013015#4MXW2UP1~S	*		1.5 TON IDU GENERAL ASSY
4MXW2UP1_4MXW2UP1_268254 ~P	*		4MXW2UP1 PARTS LIST
75013027#4MXW2UP1~S	*		INDOOR MODEL NOMENCLATURE

NO GRAPHIC AVAILABLE

75013702

REV
A

**NO
GRAPHIC
AVAILABLE**

MODEL NUMBER DESCRIPTION
INDOOR 23 SEER HP INVERTER HIGH WALL

75013027

REV.
A

Example Model Number:
4MXW2 3 1 2A 10 N0AA
1 - - - 5 - - - 10 - - - 15

Digits 1 – Refrigerant
4 = R-410A

Digits 2 – Unit Type
M = Indoor Unit

Digits 3 – Functional Type
X = Heat Pump Inverter
Y = Cooling Only Inverter

Digits 4 – Configuration Indoor Unit
W = High Wall Unit

Digits 5, 6 – Efficiency Tier
23 = 23 SEER

Digits 7, 8 – Nominal Capacity (Btu/h x 1,000)
09 = 9,000 Btu/h
12 = 12,000 Btu/h
18 = 18,000 Btu/h
24 = 24,000 Btu/h
30 = 34,000 Btu/h
36 = 36,000 Btu/h

Digits 9 – Major Development Sequence
A = First Development Sequence

Digits 10 – Electric Power Supply Characteristics
1 = 208-230/60/1

Digits 11 – Reserved for Future Use
0 = Not Currently Used

Digits 12 – Regional Markets Served (1:1 Systems)
N = North America Market

Digits 13 – Reserved for Future Use
0 = Not Currently Used

Digits 14 – Minor Design Sequence
A = First Design Sequence

Digits 15 – Service Digit
A = First Sequence

Part No.	Reference No.	Quantity	Description
75013027_4MXW2UP1_309475~ P	*		INDOOR MODEL NOMENCLATURE PARTS LIST

MODEL NUMBER DESCRIPTION
INDOOR 23 SEER HP INVERTER HIGH WALL

75013027

REV.
A

Example Model Number:
4MXW2 3 1 2A 10 N0AA
1 - - - 5 - - - 10 - - - 15

Digits 1 – Refrigerant

4 = R-410A

Digits 2 – Unit Type

M = Indoor Unit

Digits 3 – Functional Type

X = Heat Pump Inverter
Y = Cooling Only Inverter

Digits 4 – Configuration Indoor Unit

W = High Wall Unit

Digits 5, 6 – Efficiency Tier

23 = 23 SEER

Digits 7, 8 – Nominal Capacity (Btu/h x 1,000)

09 = 9,000 Btu/h
12 = 12,000 Btu/h
18 = 18,000 Btu/h
24 = 24,000 Btu/h
30 = 34,000 Btu/h
36 = 36,000 Btu/h

Digits 9 – Major Development Sequence

A = First Development Sequence

Digits 10 – Electric Power Supply Characteristics

1 = 208-230/60/1

Digits 11 – Reserved for Future Use

0 = Not Currently Used

Digits 12 – Regional Markets Served (1:1 Systems)

N = North America Market

Digits 13 – Reserved for Future Use

0 = Not Currently Used

Digits 14 – Minor Design Sequence

A = First Design Sequence

Digits 15 – Service Digit

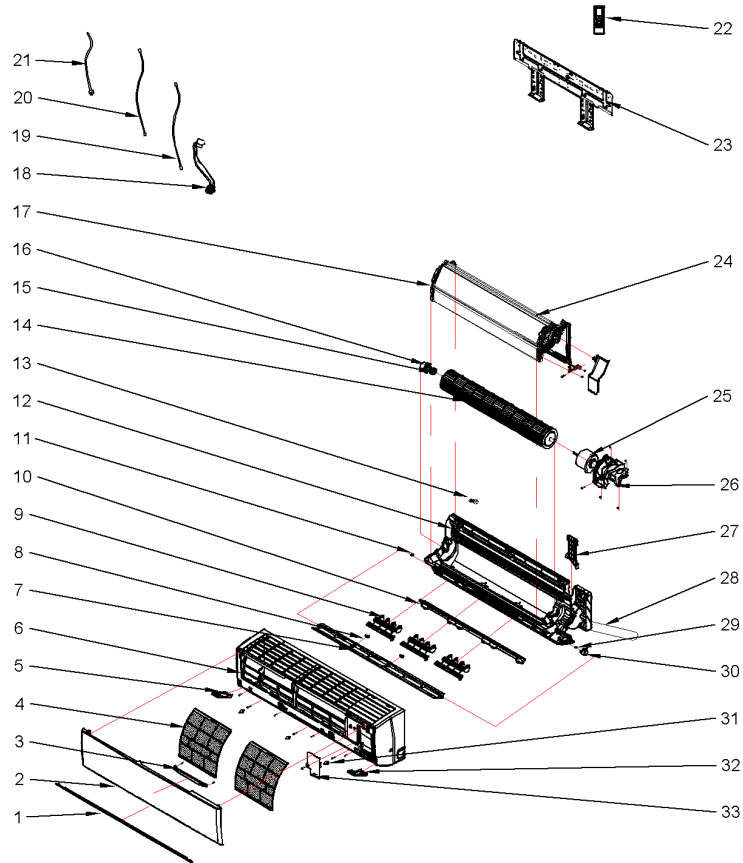
A = First Sequence

23 SEER IDU GENERAL ASSY

75013015

REV.
A

1.5 Ton



All orderable Service Parts are identified for this product.

Parts that are not identified, will not be available to order.

This is a typical illustration. The unit in the field may not appear exactly as shown.

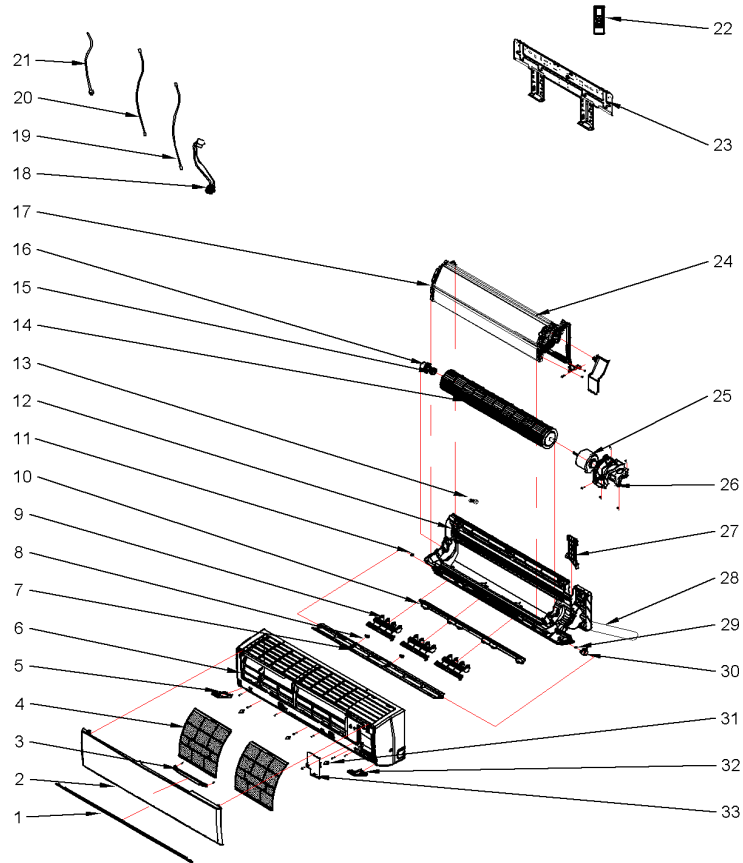
Part No.	Reference No.	Quantity	Description
75013015_4MXW2UP1_352160~ P	*		1.5 TON IDU GENERAL ASSY PARTS LIST

23 SEER IDU GENERAL ASSY

75013015

REV.
A

1.5 Ton



All orderable Service Parts are identified for this product.

Parts that are not identified, will not be available to order.

This is a typical illustration. The unit in the field may not appear exactly as shown.

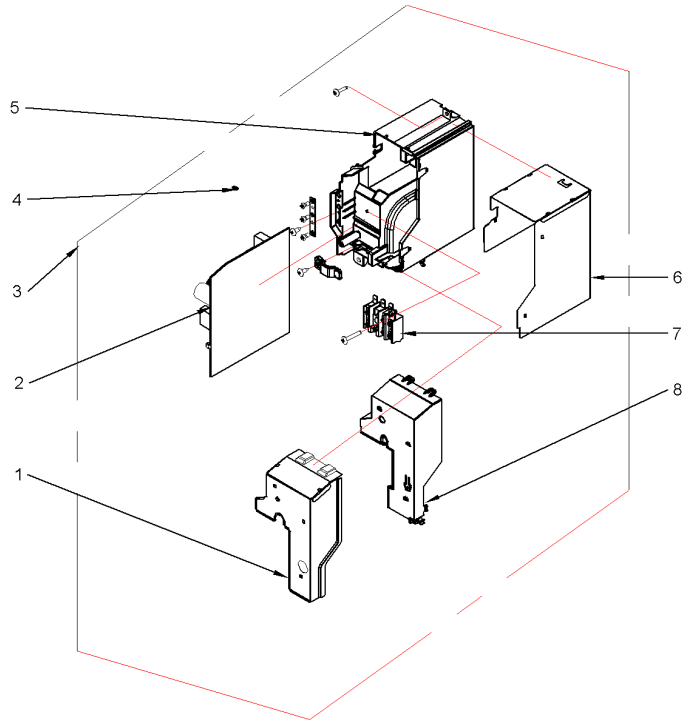
Part No.	Reference No.	Quantity	Description
GRL02062	*	1	GRILLE; REAR ASSEMBLY
PNL33568	2	1	PANEL; FRONT 37 3/4 X 9 1/2 X 2
BRD05637	3	1	BOARD; DISPLAY
FLR08990	4	2	FILTER; INDOOR UNIT AIR FILTER LEFT AND RIGHT (QTY 2)
BRD05535	5	1	BOARD; DECORATIVE (LEFT AND RIGHT SIDES)
PNL33743	6	1	PANEL; FRONT CASE ASSEMBLY
LVR01189	7	1	LOUVER; GUIDE 33 X 4 X 1
BUS02047	8	2	BUSHING; AXILE
LVR01198	9	3	LOUVER; AIR (MANUAL)
BRK04747	10	1	BRACKET; AIR OUTLET
BUS02159	11	1	BUSHING; LEFT AXILE
CAS02085	12	1	CASE; REAR ASSEMBLY
PLU01245	13	1	PLUG; DRAIN PAN
FAN05604	14	1	FAN; CROSS FLOW
GKT04242	15	1	GASKET; O-GASKET SUB-ASSY OF BEARING(76512051)
BRG01961	16	1	BEARING; RING
SUP06144	17	1	SUPPORT; COIL
AREMOTE2AHANDA	22	1	REMOTE CONTROLLER -AMERICAN STANDARD BRAND
TREMOTE2AHANDA	22	1	WIRELESS CONTROLLER FOR (MULT)
PLT05903	23	1	PLATE; MOTOR MOUNTING (METAL)
COL28581	24	1	COIL; EVAPORATOR ASSY
MOT14613	25	1	MOTOR; FAN
PLT05904	26	1	PLATE; MOTOR MOUNTING (PLASTIC)
COV05105	27	1	COVER; REFRIGERANT PIPE
HSE01636	28	1	HOSE; DRAINAGE HOSE
LVR01187	29	1	LOUVER; SIDE GUIDE
MOT17358	30	1	MOTOR; STEPPER
COV05146	31	3	COVER; SCREW
COV05103	33	1	COVER; TERMINAL

23 SEER IDU ELECTRIC BOX ASSY

75013012

REV.
A

1.5 & 2.0 Ton



All orderable Service Parts are identified for this product.

Parts that are not identified, will not be available to order.

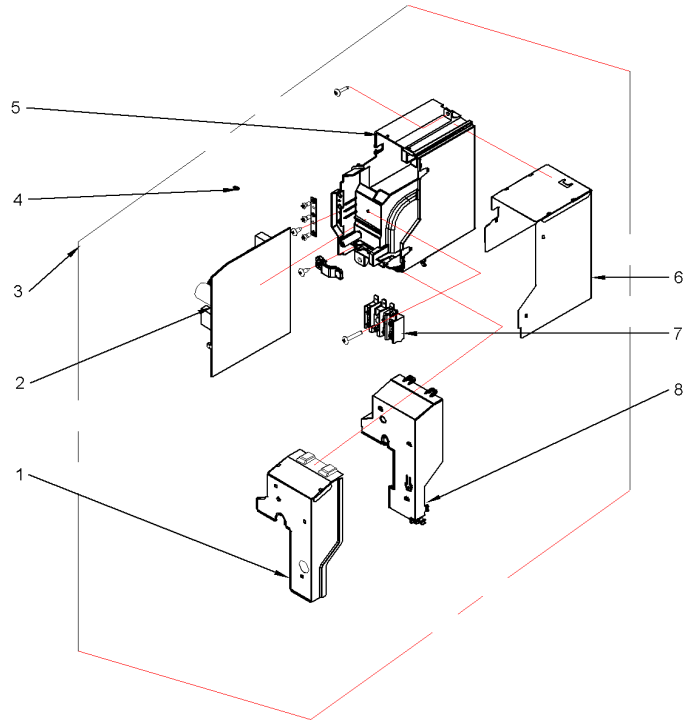
This is a typical illustration. The unit in the field may not appear exactly as shown.

Part No.	Reference No.	Quantity	Description
75013012_4MXW2UP1_352159~ P	*		1.5 & 2 TON IDU ELECTRIC BOX ASSY PARTS LIST

23 SEER IDU ELECTRIC BOX ASSY
1.5 & 2.0 Ton

75013012

REV.
A



All orderable Service Parts are identified for this product.
Parts that are not identified, will not be available to order.
This is a typical illustration. The unit in the field may not appear exactly as shown.

Parts List Number :4MXW2UP1#4MXW2UP1

Model Number :4MXW2318A10N0AA

Part No.	Reference No.	Quantity	Description
COV05434	1	1	COVER; ELECTRIC BOX (METAL)
BRD06887	2	1	BOARD; MAIN PCB
BOX03736	3	1	BOX; ELECTRIC ASSY
CAP01367	4	1	CAP; JUMPER
BOX02965	5	1	BOX; ELECTRIC
BOX02964	6	1	BOX; LOWER SHIELD
BRD02648	7	1	BOARD; TERMINAL,
COV05102	8	1	COVER; ELECTRIC BOX (PLASTIC)