

Part No.	Reference No.	Quantity	Description
75013011#4MXW2UP1~S	*		3/4 & 1 TON IDU ELECTRIC BOX ASSY
75013014#4MXW2UP1~S	*		3/4 & 1 TON IDU GENERAL ASSY
4MXW2UP1_4MXW2UP1_268254 ~P	*		4MXW2UP1 PARTS LIST
75013027#4MXW2UP1~S	*		INDOOR MODEL NOMENCLATURE

NO GRAPHIC AVAILABLE

75013702

REV
A

**NO
GRAPHIC
AVAILABLE**

MODEL NUMBER DESCRIPTION
INDOOR 23 SEER HP INVERTER HIGH WALL

75013027

REV.
A

Example Model Number:
4MXW2 3 1 2A 10 N0AA
1 - - - 5 - - - 10 - - - 15

Digits 1 – Refrigerant

4 = R-410A

Digits 2 – Unit Type

M = Indoor Unit

Digits 3 – Functional Type

X = Heat Pump Inverter
Y = Cooling Only Inverter

Digits 4 – Configuration Indoor Unit

W = High Wall Unit

Digits 5, 6 – Efficiency Tier

23 = 23 SEER

Digits 7, 8 – Nominal Capacity (Btu/h x 1,000)

09 = 9,000 Btu/h
12 = 12,000 Btu/h
18 = 18,000 Btu/h
24 = 24,000 Btu/h
30 = 34,000 Btu/h
36 = 36,000 Btu/h

Digits 9 – Major Development Sequence

A = First Development Sequence

Digits 10 – Electric Power Supply Characteristics

1 = 208-230/60/1

Digits 11 – Reserved for Future Use

0 = Not Currently Used

Digits 12 – Regional Markets Served (1:1 Systems)

N = North America Market

Digits 13 – Reserved for Future Use

0 = Not Currently Used

Digits 14 – Minor Design Sequence

A = First Design Sequence

Digits 15 – Service Digit

A = First Sequence

Part No.	Reference No.	Quantity	Description
75013027_4MXW2UP1_309475~ P	*		INDOOR MODEL NOMENCLATURE PARTS LIST

MODEL NUMBER DESCRIPTION
INDOOR 23 SEER HP INVERTER HIGH WALL

75013027

REV.
A

Example Model Number:
4MXW2 3 1 2A 10 N0AA
1 - - - 5 - - - 10 - - - 15

Digits 1 – Refrigerant
4 = R-410A

Digits 2 – Unit Type
M = Indoor Unit

Digits 3 – Functional Type
X = Heat Pump Inverter
Y = Cooling Only Inverter

Digits 4 – Configuration Indoor Unit
W = High Wall Unit

Digits 5, 6 – Efficiency Tier
23 = 23 SEER

Digits 7, 8 – Nominal Capacity (Btu/h x 1,000)
09 = 9,000 Btu/h
12 = 12,000 Btu/h
18 = 18,000 Btu/h
24 = 24,000 Btu/h
30 = 34,000 Btu/h
36 = 36,000 Btu/h

Digits 9 – Major Development Sequence
A = First Development Sequence

Digits 10 – Electric Power Supply Characteristics
1 = 208-230/60/1

Digits 11 – Reserved for Future Use
0 = Not Currently Used

Digits 12 – Regional Markets Served (1:1 Systems)
N = North America Market

Digits 13 – Reserved for Future Use
0 = Not Currently Used

Digits 14 – Minor Design Sequence
A = First Design Sequence

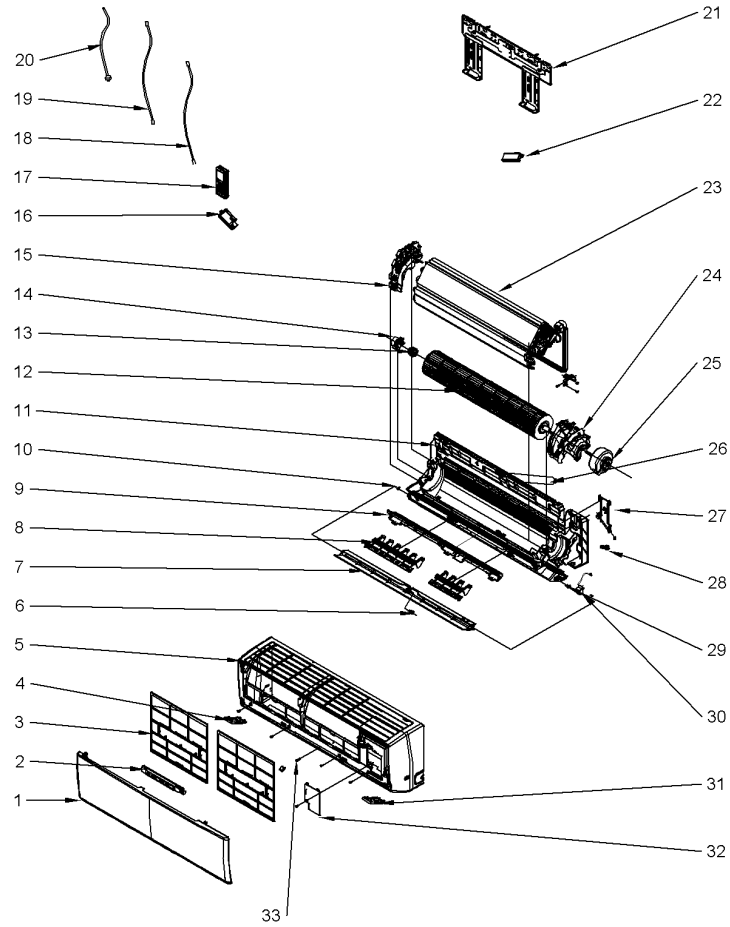
Digits 15 – Service Digit
A = First Sequence

23 SEER IDU GENERAL ASSY

75013014

REV.
A

3/4 & 1.0 Ton



All orderable Service Parts are identified for this product.

Parts that are not identified, will not be available to order.

This is a typical illustration. The unit in the field may not appear exactly as shown.

Parts List Number :4MXW2UP1#4MXW2UP1

Model Number :4MXW2312A10N0AA

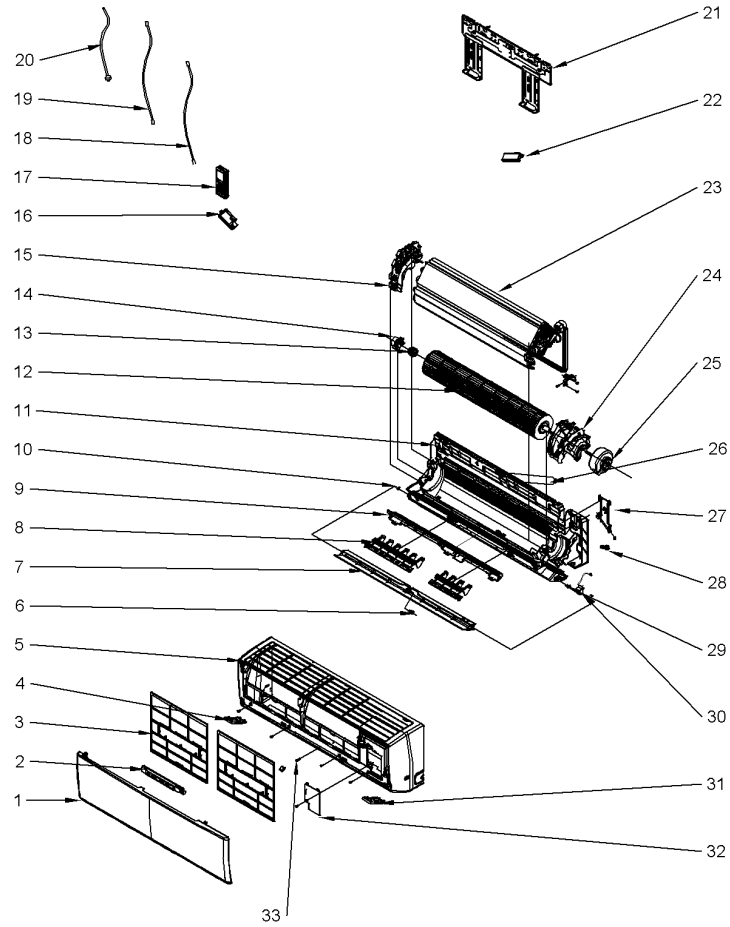
Part No.	Reference No.	Quantity	Description
75013014_4MXW2UP1_309473~ P	*		3/4 & 1 TON IDU GENERAL ASSY PARTS LIST

23 SEER IDU GENERAL ASSY

75013014

REV.
A

3/4 & 1.0 Ton



All orderable Service Parts are identified for this product.

Parts that are not identified, will not be available to order.

This is a typical illustration. The unit in the field may not appear exactly as shown.

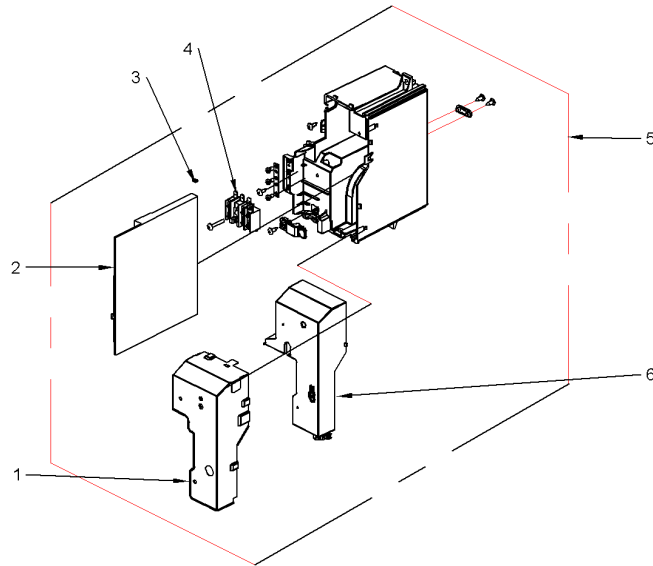
Part No.	Reference No.	Quantity	Description
GRL02220	*	1	GRILLE; PROTECT SUB-ASSY
GRL02221	*	1	GRILLE; SUB ASSY 2
PNL33567	1	1	PANEL; FRONT
BRD05637	2	1	BOARD; DISPLAY
FLR09303	3	2	FILTER; FILTER SUB-ASSY
PNL33742	5	1	PANEL; FRONT CASE ASSEMBLY
BUS02047	6	1	BUSHING; AXILE
LVR01250	7	1	LOUVER; GUIDE
LVR01247	8	1	LOUVER; AIR LOUVER 1
BRK04749	9	1	BRACKET; AIR OUTLET
BUS02159	10	1	BUSHING; LEFT AXILE
CAS02083	11	1	CASE; REAR ASSEMBLY
FAN05631	12	1	FAN; CROSS FLOW
GKT04242	13	1	GASKET; O-GASKET SUB-ASSY OF BEARING(76512051)
BRG01960	14	1	BEARING; RING
SUP06467	15	1	SUPPORT; EVAPORATOR
AREMOTE2AHANDA	17a	1	REMOTE CONTROLLER -AMERICAN STANDARD BRAND
TREMOTE2AHANDA	17b	1	WIRELESS CONTROLLER FOR (MULT)
FRM01911	21	1	FRAME; WALL MOUNTING FRAME(01252484)
COL28582	23	1	COIL; EVAPORATOR ASSY
MOT18934	25	1	MOTOR; BLOWER
HSE01636	26	1	HOSE; DRAINAGE HOSE
COV05141	27	1	COVER; REFRIGERANT PIPE
PLU01245	28	1	PLUG; DRAIN PAN
LVR01187	29	1	LOUVER; SIDE GUIDE
MOT17971	30	1	MOTOR; STEPPING
BOX02991	32	1	BOX; ELECTRIC COVER SUB ASSEMBLY

23 SEER IDU ELECTRIC BOX ASSY

75013011

REV.
A

3/4 & 1.0 Ton



All orderable Service Parts are identified for this product.
Parts that are not identified, will not be available to order.
This is a typical illustration. The unit in the field may not appear exactly as shown.

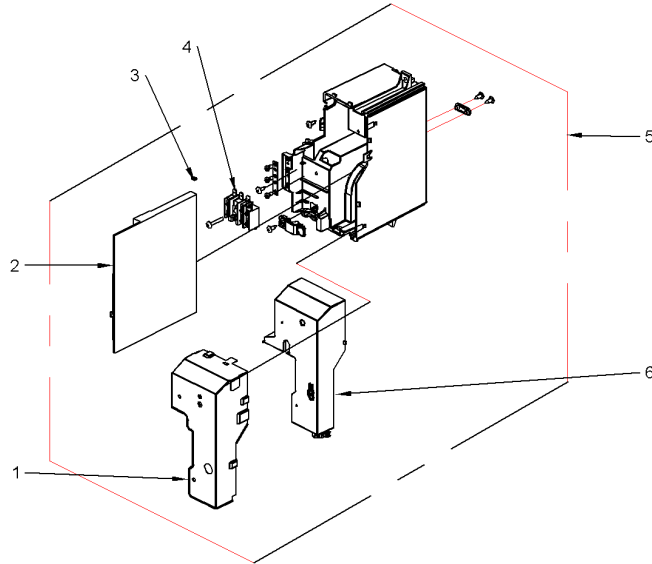
Part No.	Reference No.	Quantity	Description
75013011_4MXW2UP1_309472~ P	*		3/4 & 1 TON IDU ELECTRIC BOX ASSY PARTS LIST

23 SEER IDU ELECTRIC BOX ASSY

75013011

REV.
A

3/4 & 1.0 Ton



All orderable Service Parts are identified for this product.

Parts that are not identified, will not be available to order.

This is a typical illustration. The unit in the field may not appear exactly as shown.

Parts List Number :4MXW2UP1#4MXW2UP1

Model Number :4MXW2312A10N0AA

Part No.	Reference No.	Quantity	Description
COV05100	1	1	COVER; ELECTRIC BOX (METAL)
BRD06887	2	1	BOARD; MAIN PCB
CON02061	3	1	CONNECTOR; JUMPER (LABELED 20)
BRD02648	4	1	BOARD; TERMINAL,
BOX03846	5	1	BOX; ENCLOSURE INCLUDES MAIN BOARD, TERMINAL STRIP, METAL AND PLASTIC COVERS AND CONTROL BOX COVER
BOX02963	6	1	BOX; ELECTRIC COVER