

Part No.	Reference No.	Quantity	Description
75011263	SEC 00		MODEL NOMENCLATURE
86000166	SEC 04		GENERAL ASSEMBLY

MODEL NUMBER DESCRIPTION

75011263

REV.
A

16 SEER Mini Split LOMO Indoor

Example Model Number:

4MXW1612A10N0AA
1 - - - 5 - - - 10 - - - 15

Digits 1 – Refrigerant

4 = R-410A

Digits 2 – Unit Type

M = Indoor Unit

Digits 3 – Functional Type

X = Heat Pump Inverter
Y = Cooling Only Inverter

Digits 4 – Configuration Indoor Unit

W = High Wall Unit

Digits 5, 6 – Efficiency Tier

16 = 16 SEER

Digits 7, 8 – Nominal Capacity (Btu/h x 1,000)

09 = 9,000 Btu/h
12 = 12,000 Btu/h
18 = 18,000 Btu/h
24 = 24,000 Btu/h

Digits 9 – Major Development Sequence

A = First Development Sequence

Digits 10 – Electric Power Supply Characteristics

1 = 208-230/60/1

Digits 11 – Reserved for Future Use

0 = Not Currently Used

Digits 12 – Regional Markets Served (1:1 Systems)

N = North America Market

Digits 13 – Reserved for Future Use

0 = Not Currently Used

Digits 14 – Minor Design Sequence

A = First Design Sequence

Digits 15 – Service Digit

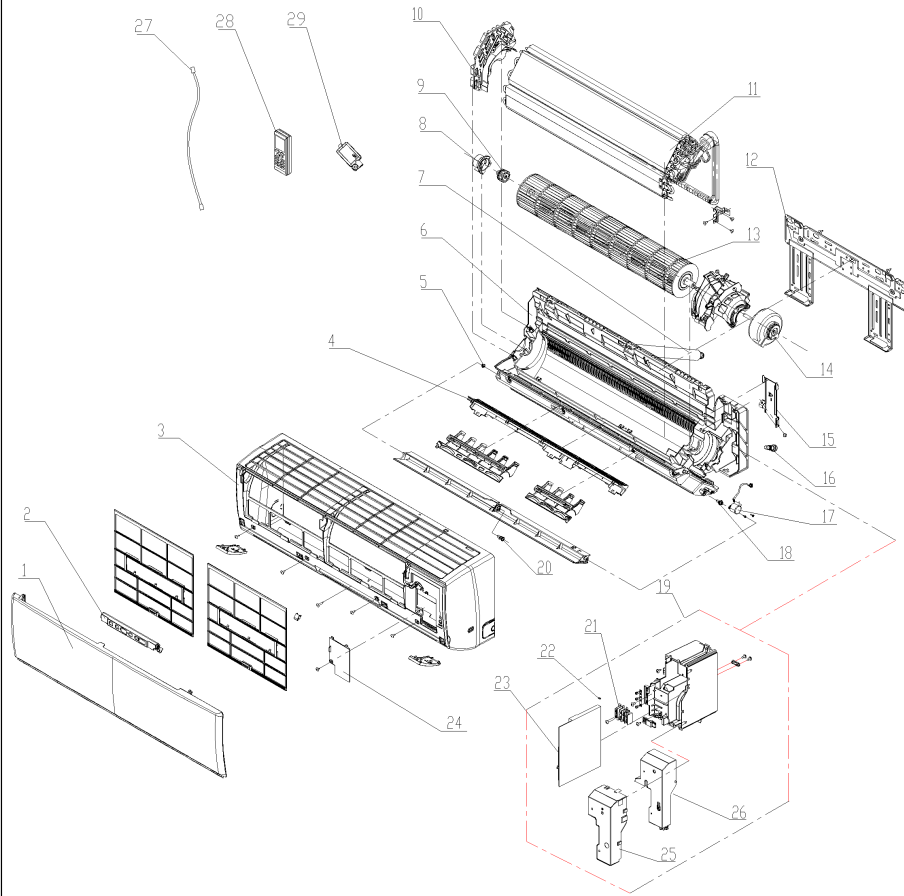
A = First Sequence

GENERAL ASSEMBLY

86000166

REV
A

4MXW2312A1000AA



Part No.	Reference No.	Quantity	Description
PNL35076	1	1	(27230010059) Front Panel
BRD06073	2	1	(30565260) Display Board
PNL35046	3	1	(00000200045) Front Case Assy
SRP01075	4	1	(26112436) Helicoid Tongue
BUS02203	5	1	(10512037) Left Axile Bush
CAS02137	6	1	(00000100093) Rear Case assy
HSE01959	7	1	(0523001408) Drainage Hose
RNG02201	8	1	(26152022) Ring of Bearing
GKT04764	9	1	(7651205102) O-Gasket sub-assy of Bearing
SUP06425	10	1	(24212174) Evaporator Support
EVP02575	11	1	(0100200003001) Evaporator Assy
FRM02382	12	1	(01252484) Wall Mounting Frame
FAN06006	13	1	(10352056) Cross Flow Fan
MOT18735	14	1	(1501246601) Fan Motor
CMP01524	15	1	(2611216401) Connecting pipe clamp
PLU01180	16	1	(76712012) Water Tray Glue Plug
MOT18369	17	1	(1521210710) SteppingMotor
SHF03686	18	1	(73012005) Crank
BUS02048	19	1	(10542036) Axile Bush
BRD02648	20	1	BOARD; TERMINAL,
CAP01378	21	1	(4202021920) Jumper
BRD06690	22	1	(30138001018) Main Board
COV05381	23	1	(0140206501) Electric Box Cover Sub-Assy
BOX03315	24	1	(01592150) Shield Cover of Electric Box Cover
COV05400	25	1	(2011220701) Electric Box Cover
CAB01664	26	1	(4002052317) Connecting Cable
CNT07902	27	1	(305001000107) Remote Controller
BRD06692	28	1	(000409000001) Board Assy