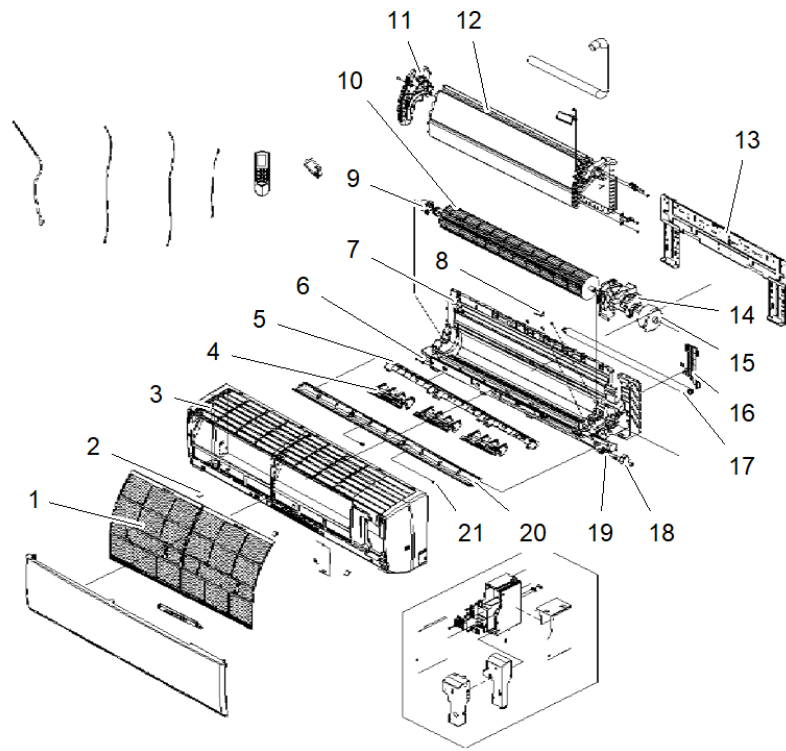


Parts List Number :0000157031

Model Number :4MXW1724A10N0AA

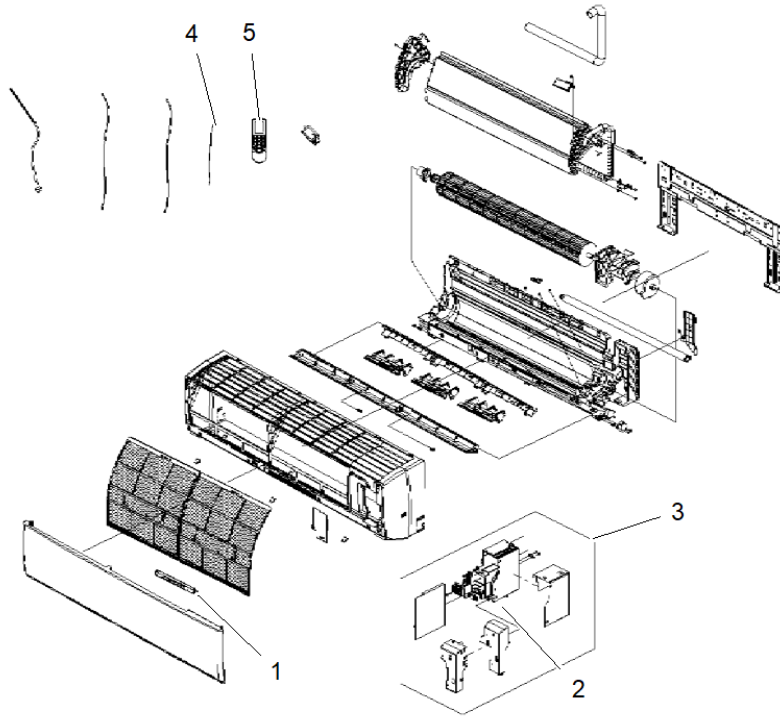
<b>Part No.</b>	<b>Reference No.</b>	<b>Quantity</b>	<b>Description</b>
0000157033~S	*		General Assembly 1
0000157034~S	*		General Assembly 2
0000157032~S	*		Model Number Description

Part No.	Reference No.	Quantity	Description
000030674~P	*		General Assembly 1



<b>Part No.</b>	<b>Reference No.</b>	<b>Quantity</b>	<b>Description</b>
FLR08991	1	2	FILTER; INDOOR UNIT AIR FILTER
COV05145	2	3	COVER; SCREW
PNL33741	3	1	PANEL; FRONT CASE ASSEMBLY
LVR01199	4	3	LOUVER; AIR (MANUAL)
BRK04750	5	1	BRACKET; AIR OUTLET SUB ASSEMBLY
BUS02159	6	1	BUSHING; LEFT AXILE
CAS02084	7	1	CASE; REAR ASSEMBLY
PLU01245	8	1	PLUG; DRAIN PAN
BRG01961	9	1	BEARING; RING
FAN05632	10	1	FAN; CROSS FLOW
SUP06160	11	1	SUPPORT; COIL
EVP02924	12	1	EVAPORATOR; ASSEMBLY
FRM02297	13	1	FRAME; WALL MOUNTING
PLT05944	14	1	PLATE; MOTOR MOUNTING
FRM02297	15	1	FRAME; WALL MOUNTING
COV05142	16	1	COVER; REFRIGERANT PIPE
HSE01638	17	1	HOSE; DRAINAGE HOSE
MOT17358	18	1	MOTOR; STEPPER
LVR01187	19	1	LOUVER; SIDE GUIDE
LVR01188	20	1	LOUVER; GUIDE
BUS02047	21	2	BUSHING; AXILE

Part No.	Reference No.	Quantity	Description
000030676~P	*		General Assembly 2



<b>Part No.</b>	<b>Reference No.</b>	<b>Quantity</b>	<b>Description</b>
BRD05637	1	1	BOARD; DISPLAY
CON02232	2	1	CONNECTOR; JUMPER
CNT08787	3	1	CONTROL; ELECTRIC BOX ASSEMBLY
SEN02447	4	1	SENSOR; TEMPERATURE
CNT08675	5	1	CONTROL; REMOTE

<b>Part No.</b>	<b>Reference No.</b>	<b>Quantity</b>	<b>Description</b>
000030639~P	*		Model Number Description(Indoor Unit)

MODEL NUMBER DESCRIPTION

75015157

REV  
A

17/25 SEER Mini Split LOMO Indoor

*Example Model Number:*  
**4MXW1709A10N0AA**  
1 - - - 5 - - - 10 - - - 15

**Digits 1 – Refrigerant**  
4 = R-410A

**Digits 2 – Unit Type**  
M = Indoor Unit

**Digits 3 – Functional Type**  
X = Heat Pump Inverter  
Y = Cooling Only Inverter

**Digits 4 – Configuration Indoor Unit**  
W = High Wall Unit

**Digits 5, 6 – Efficiency Tier**  
17 = 17 SEER  
25 = 25 SEER

**Digits 7, 8 – Nominal Capacity (Btu/h x 1,000)**  
09 = 9,000 Btu/h  
12 = 12,000 Btu/h  
18 = 18,000 Btu/h  
24 = 24,000 Btu/h  
30 = 30,000 Btu/h  
36 = 36,000 Btu/h

**Digits 9 – Major Development Sequence**  
A = First Development Sequence

**Digits 10 – Electric Power Supply Characteristics**  
1 = 208-230/60/1

**Digits 11 – Reserved for Future Use**  
0 = Not Currently Used

**Digits 12 – Regional Markets Served (1:1 Systems)**  
N = North America Market

**Digits 13 – Reserved for Future Use**  
0 = Not Currently Used

**Digits 14 – Minor Design Sequence**  
A = First Design Sequence

**Digits 15 – Service Digit**  
A = First Sequence

