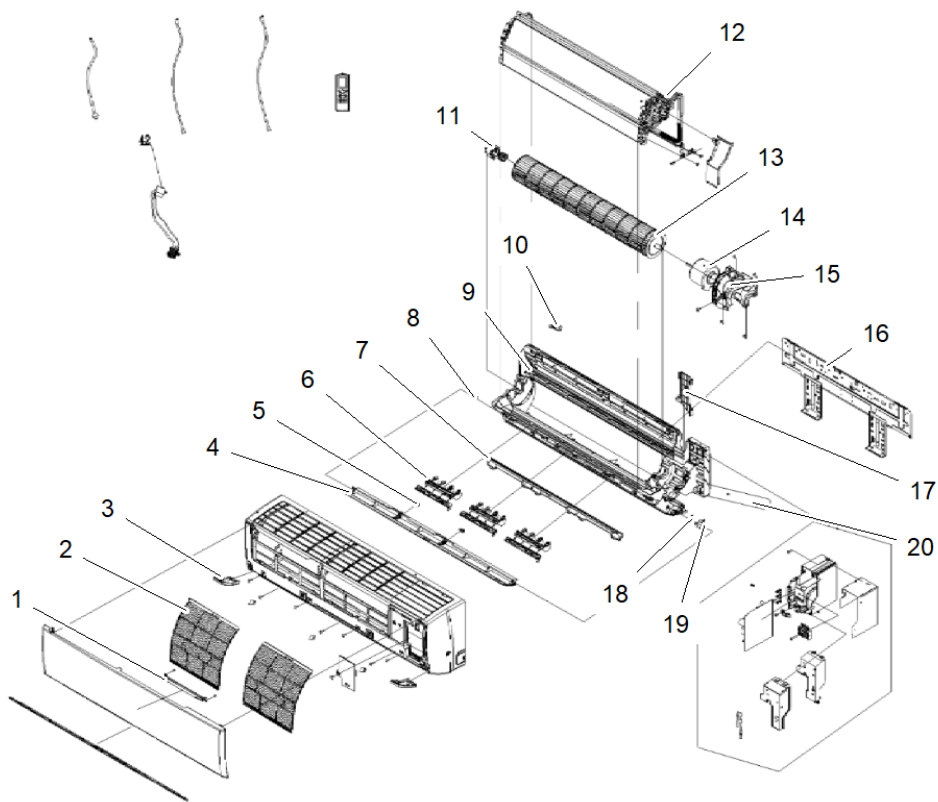


Parts List Number :0000157031

Model Number :4MXW1718A10N0AA

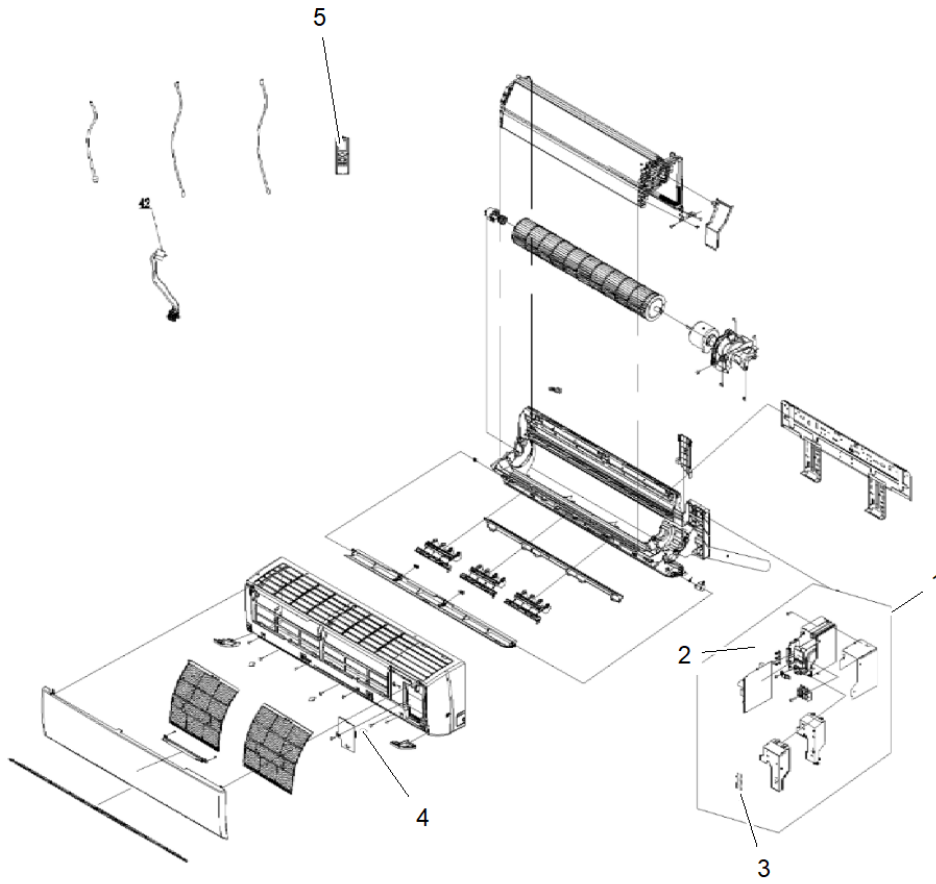
Part No.	Reference No.	Quantity	Description
0000157033~S	*		General Assembly 1
0000157034~S	*		General Assembly 2
0000157032~S	*		Model Number Description

Part No.	Reference No.	Quantity	Description
0000030649~P	*		General Assembly 1



Part No.	Reference No.	Quantity	Description
BRD05637	1	1	BOARD; DISPLAY
FLR08990	2	2	FILTER; INDOOR UNIT AIR FILTER LEFT AND RIGHT (QTY 2)
BRD05535	3	1	BOARD; DECORATIVE (LEFT AND RIGHT SIDES)
LVR01189	4	1	LOUVER; GUIDE 33 X 4 X 1
BUS02047	5	2	BUSHING; AXILE
LVR01198	6	3	LOUVER; AIR (MANUAL)
BRK04747	7	1	BRACKET; AIR OUTLET
BUS02159	8	1	BUSHING; LEFT AXILE
CAS02085	9	1	CASE; REAR ASSEMBLY
PLU01245	10	1	PLUG; DRAIN PAN
BRG01961	11	1	BEARING; RING
COL28284	12	1	COIL; EVAPORATOR ASSY
FAN05604	13	1	FAN; CROSS FLOW
MOT17359	14	1	MOTOR; FAN
PLT05904	15	1	PLATE; MOTOR MOUNTING (PLASTIC)
PLT05903	16	1	PLATE; MOTOR MOUNTING (METAL)
COV05105	17	1	COVER; REFRIGERANT PIPE
LVR01187	18	1	LOUVER; SIDE GUIDE
MOT17358	19	1	MOTOR; STEPPER
HSE01636	20	1	HOSE; DRAINAGE HOSE

Part No.	Reference No.	Quantity	Description
000030651~P	*		General Assembly 2



Part No.	Reference No.	Quantity	Description
CNT08785	1	1	CONTROL; ELECTRIC BOX ASSEMBLY
CAP01324	2	1	CAP; JUMPER
SEN02447	3	1	SENSOR; TEMPERATURE
COV05146	4	3	COVER; SCREW
CNT08675	5	1	CONTROL; REMOTE

Part No.	Reference No.	Quantity	Description
000030639~P	*		Model Number Description(Indoor Unit)

MODEL NUMBER DESCRIPTION

75015157

REV
A

17/25 SEER Mini Split LOMO Indoor

Example Model Number:
4MXW1709A10N0AA
1 - - - 5 - - - 10 - - - 15

Digits 1 – Refrigerant

4 = R-410A

Digits 2 – Unit Type

M = Indoor Unit

Digits 3 – Functional Type

X = Heat Pump Inverter
Y = Cooling Only Inverter

Digits 4 – Configuration Indoor Unit

W = High Wall Unit

Digits 5, 6 – Efficiency Tier

17 = 17 SEER
25 = 25 SEER

Digits 7, 8 – Nominal Capacity (Btu/h x 1,000)

09 = 9,000 Btu/h
12 = 12,000 Btu/h
18 = 18,000 Btu/h
24 = 24,000 Btu/h
30 = 30,000 Btu/h
36 = 36,000 Btu/h

Digits 9 – Major Development Sequence

A = First Development Sequence

Digits 10 – Electric Power Supply Characteristics

1 = 208-230/60/1

Digits 11 – Reserved for Future Use

0 = Not Currently Used

Digits 12 – Regional Markets Served (1:1 Systems)

N = North America Market

Digits 13 – Reserved for Future Use

0 = Not Currently Used

Digits 14 – Minor Design Sequence

A = First Design Sequence

Digits 15 – Service Digit

A = First Sequence

