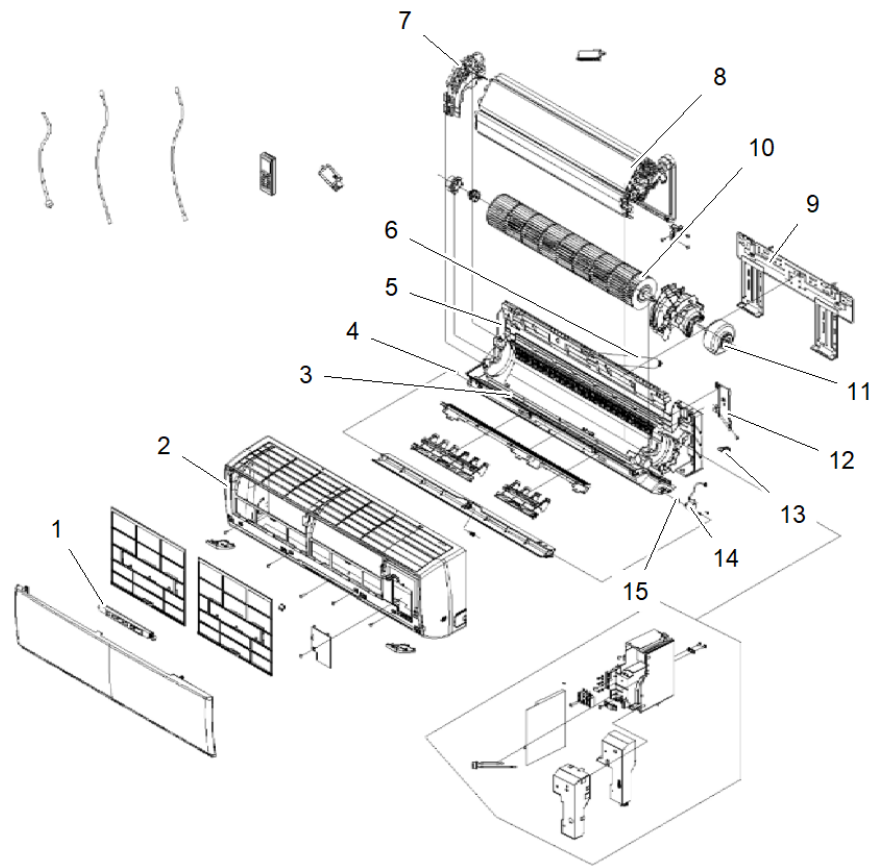


Parts List Number :0000157031

Model Number :4MXW1709A10N0AA

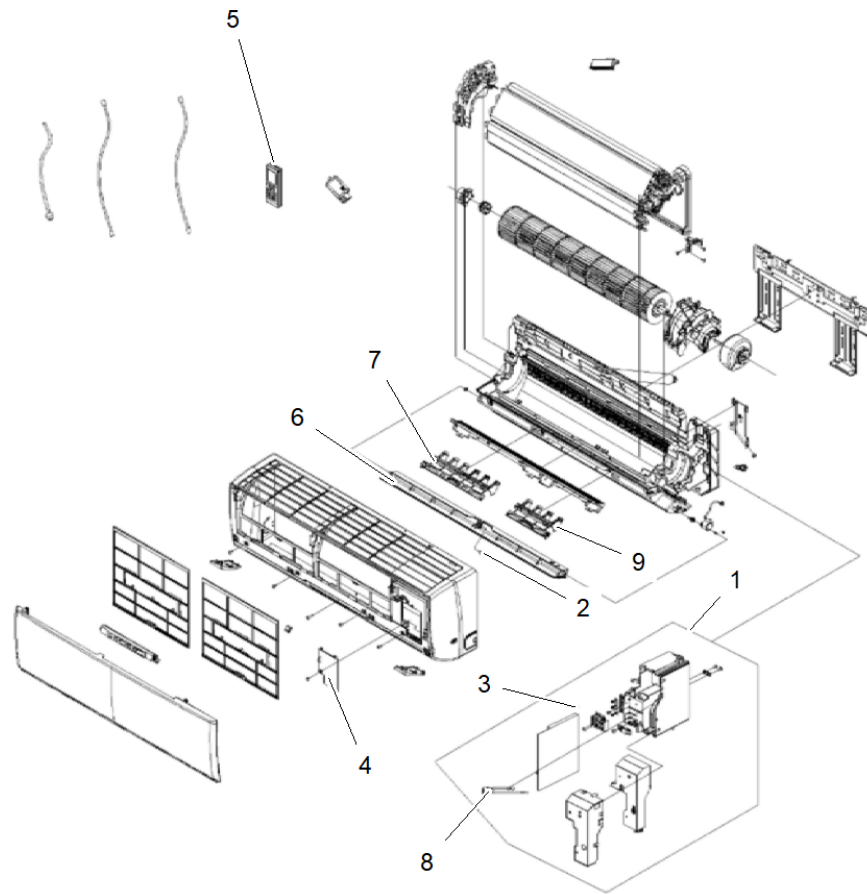
Part No.	Reference No.	Quantity	Description
0000157033~S	*		General Assembly 1
0000157034~S	*		General Assembly 2
0000157032~S	*		Model Number Description

Part No.	Reference No.	Quantity	Description
000030641~P	*		General Assembly 1



Part No.	Reference No.	Quantity	Description
BRD05637	1	1	BOARD; DISPLAY
PNL33744	2	1	PANEL; FRONT CASE ASSEMBLY
BRK04748	3	1	BRACKET; AIR OUTLET
BUS02159	4	1	BUSHING; LEFT AXILE
PNL33745	5	1	PANEL; REAR CASE ASSEMBLY
HSE01922	6	1	HOSE; DRAINAGE HOSE
SUP06162	7	1	SUPPORT; COIL
EVP02922	8	1	EVAPORATOR; ASSEMBLY
FRM02298	9	1	FRAME; WALL MOUNTING
FAN05633	10	1	FAN; CROSS FLOW
MOT16743	11	1	MOTOR; FAN
COV05141	12	1	COVER; REFRIGERANT PIPE
PLU01245	13	1	PLUG; DRAIN PAN
MOT14616	14	1	MOTOR; STEPPER
LVR01187	15	1	LOUVER; SIDE GUIDE

Part No.	Reference No.	Quantity	Description
0000030643~P	*		General Assembly 2



Part No.	Reference No.	Quantity	Description
BOX04464	1	1	BOX; ELECTRIC ASSY
BUS02047	2	1	BUSHING; AXILE
WIR08173	3	1	WIRE; PLASTIC JUMPER CAP, NUMBER 2
BOX02991	4	1	BOX; ELECTRIC COVER SUB ASSEMBLY
CNT08675	5	1	CONTROL; REMOTE
LVR01249	6	1	LOUVER; GUIDE
LVR01246	7	1	LOUVER; SWING
SEN02447	8	1	SENSOR; TEMPERATURE
LVR01245	9	1	LOUVER; SWING

Part No.	Reference No.	Quantity	Description
000030639~P	*		Model Number Description(Indoor Unit)

MODEL NUMBER DESCRIPTION

75015157

REV
A

17/25 SEER Mini Split LOMO Indoor

Example Model Number:
4MXW1709A10N0AA
1 - - - 5 - - - 10 - - - 15

Digits 1 – Refrigerant

4 = R-410A

Digits 2 – Unit Type

M = Indoor Unit

Digits 3 – Functional Type

X = Heat Pump Inverter
Y = Cooling Only Inverter

Digits 4 – Configuration Indoor Unit

W = High Wall Unit

Digits 5, 6 – Efficiency Tier

17 = 17 SEER
25 = 25 SEER

Digits 7, 8 – Nominal Capacity (Btu/h x 1,000)

09 = 9,000 Btu/h
12 = 12,000 Btu/h
18 = 18,000 Btu/h
24 = 24,000 Btu/h
30 = 30,000 Btu/h
36 = 36,000 Btu/h

Digits 9 – Major Development Sequence

A = First Development Sequence

Digits 10 – Electric Power Supply Characteristics

1 = 208-230/60/1

Digits 11 – Reserved for Future Use

0 = Not Currently Used

Digits 12 – Regional Markets Served (1:1 Systems)

N = North America Market

Digits 13 – Reserved for Future Use

0 = Not Currently Used

Digits 14 – Minor Design Sequence

A = First Design Sequence

Digits 15 – Service Digit

A = First Sequence

