

Part No.	Reference No.	Quantity	Description
4MXWUP3_4MXWUP3_176337~ P	*		4MXWUP3 PARTS LIST
75011269#4MXWUP3~S	*		ACCESSORIES INDOOR
75011266#4MXWUP3~S	*		CONTROLS
75011268#4MXWUP3~S	*		GENERAL ASSEMBLY
75011263#4MXWUP3~S	*		MODEL NOMENCLATURE

NO GRAPHIC AVAILABLE

75013702

REV
A

**NO
GRAPHIC
AVAILABLE**

MODEL NUMBER DESCRIPTION

75011263

REV.
A

16 SEER Mini Split LOMO Indoor

Example Model Number:

4MXW1612A10N0AA
1 - - - 5 - - - 10 - - - 15

Digits 1 – Refrigerant

4 = R-410A

Digits 2 – Unit Type

M = Indoor Unit

Digits 3 – Functional Type

X = Heat Pump Inverter
Y = Cooling Only Inverter

Digits 4 – Configuration Indoor Unit

W = High Wall Unit

Digits 5, 6 – Efficiency Tier

16 = 16 SEER

Digits 7, 8 – Nominal Capacity (Btu/h x 1,000)

09 = 9,000 Btu/h
12 = 12,000 Btu/h
18 = 18,000 Btu/h
24 = 24,000 Btu/h

Digits 9 – Major Development Sequence

A = First Development Sequence

Digits 10 – Electric Power Supply Characteristics

1 = 208-230/60/1

Digits 11 – Reserved for Future Use

0 = Not Currently Used

Digits 12 – Regional Markets Served (1:1 Systems)

N = North America Market

Digits 13 – Reserved for Future Use

0 = Not Currently Used

Digits 14 – Minor Design Sequence

A = First Design Sequence

Digits 15 – Service Digit

A = First Sequence

MODEL NOMENCLATURE

Parts List Number :4MXWUP3#4MXWUP3

Model Number :4MXW1618A10N0AA

Part No.	Reference No.	Quantity	Description
75011263_4MXWUP3_176339~P	*		MODEL NOMENCLATURE PARTS LIST

MODEL NUMBER DESCRIPTION

75011263

REV.
A

16 SEER Mini Split LOMO Indoor

Example Model Number:

4MXW1612A10N0AA
1 - - - 5 - - - - 10 - - - - 15

Digits 1 – Refrigerant

4 = R-410A

Digits 2 – Unit Type

M = Indoor Unit

Digits 3 – Functional Type

X = Heat Pump Inverter
Y = Cooling Only Inverter

Digits 4 – Configuration Indoor Unit

W = High Wall Unit

Digits 5, 6 – Efficiency Tier

16 = 16 SEER

Digits 7, 8 – Nominal Capacity (Btu/h x 1,000)

09 = 9,000 Btu/h
12 = 12,000 Btu/h
18 = 18,000 Btu/h
24 = 24,000 Btu/h

Digits 9 – Major Development Sequence

A = First Development Sequence

Digits 10 – Electric Power Supply Characteristics

1 = 208-230/60/1

Digits 11 – Reserved for Future Use

0 = Not Currently Used

Digits 12 – Regional Markets Served (1:1 Systems)

N = North America Market

Digits 13 – Reserved for Future Use

0 = Not Currently Used

Digits 14 – Minor Design Sequence

A = First Design Sequence

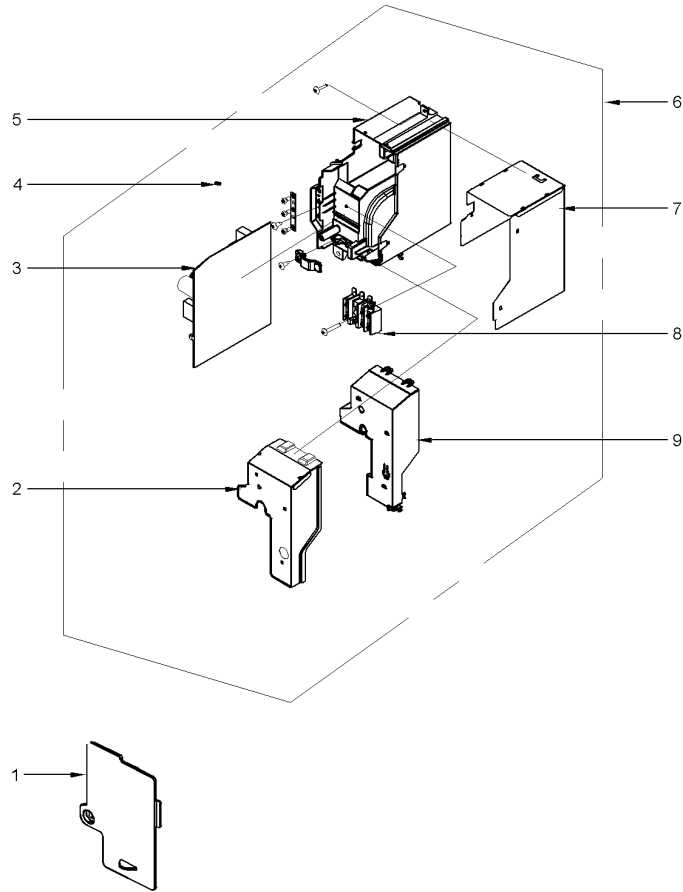
Digits 15 – Service Digit

A = First Sequence

16 SEER HIGH WALL UNITS
INDOOR 1.5 & 2.0 TON ELECTRIC BOX ASSEMBLY

75011266

REV.
A



All orderable Service Parts are identified for this product.

Parts that are not identified, will not be available to order.

This is a typical illustration. The unit in the field may not appear exactly as shown.

CONTROLS

Parts List Number :4MXWUP3#4MXWUP3

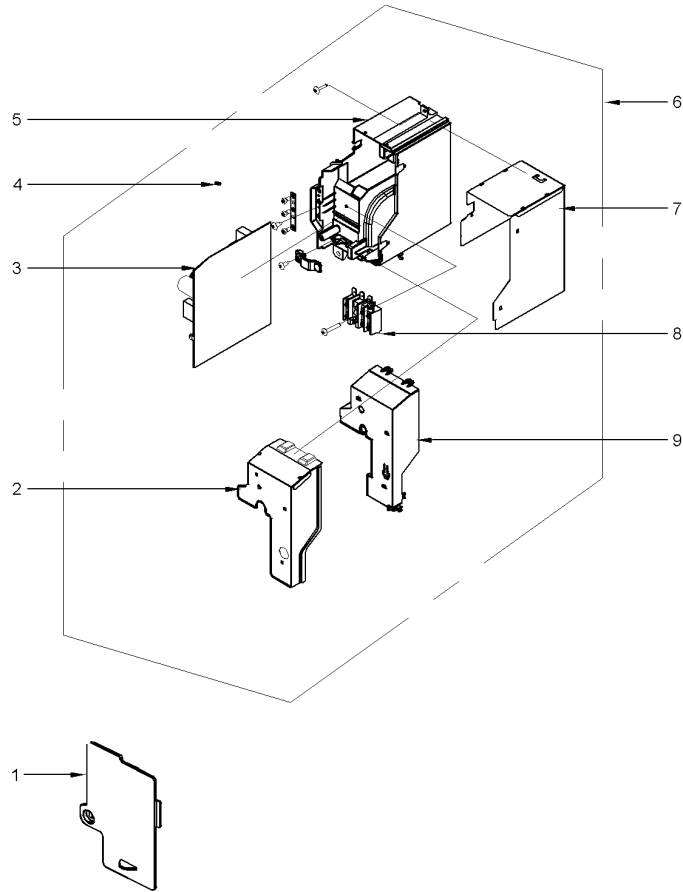
Model Number :4MXW1618A10N0AA

Part No.	Reference No.	Quantity	Description
75011266_4MXWUP3_180137~P	*		CONTROLS PARTS LIST

16 SEER HIGH WALL UNITS
INDOOR 1.5 & 2.0 TON ELECTRIC BOX ASSEMBLY

75011266

REV.
A



All orderable Service Parts are identified for this product.
Parts that are not identified, will not be available to order.
This is a typical illustration. The unit in the field may not appear exactly as shown.

CONTROLS PARTS LIST

Parts List Number :4MXWUP3#4MXWUP3

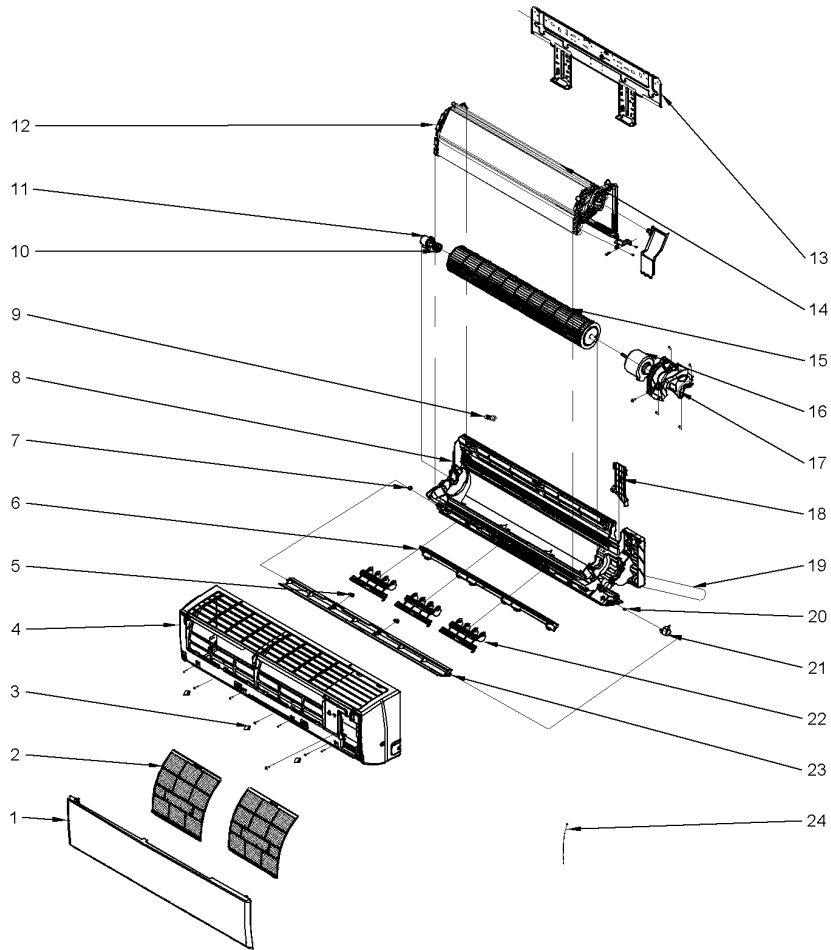
Model Number :4MXW1618A10N0AA

Part No.	Reference No.	Quantity	Description
COV05103	1	1	COVER; TERMINAL
COV05099	2	1	COVER; ELECTRIC BOX (METAL)
BRD05540	3	1	BOARD; MAIN
CAP01324	4	1	CAP; JUMPER
BOX02965	5	1	BOX; ELECTRIC
BOX02939	6	1	BOX; ELECTRICAL ASSEMBLY
BOX02964	7	1	BOX; LOWER SHIELD
BRD02648	8	1	BOARD; TERMINAL,
COV05102	9	1	COVER; ELECTRIC BOX (PLASTIC)

16 SEER HIGH WALL UNITS
INDOOR 1.5 & 2.0 TON GENERAL ASSEMBLY

75011268

REV.
A



All orderable Service Parts are identified for this product.

Parts that are not identified, will not be available to order.

This is a typical illustration. The unit in the field may not appear exactly as shown.

Parts List Number :4MXWUP3#4MXWUP3

Model Number :4MXW1618A10N0AA

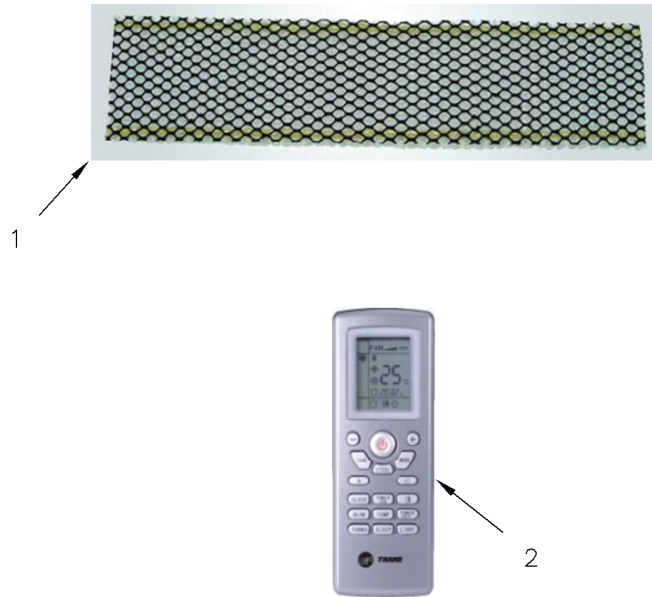
Part No.	Reference No.	Quantity	Description
75011268_4MXWUP3_180140~P	*		GENERAL ASSEMBLY PARTS LIST

Part No.	Reference No.	Quantity	Description
BRD05637	*	1	BOARD; DISPLAY
PNL33568	1	1	PANEL; FRONT 37 3/4 X 9 1/2 X 2
FLR07207	2	2	FILTER; REUSABLE MESH, 11 1/2 X 14
COV05146	3	3	COVER; SCREW
PNL33743	4	1	PANEL; FRONT CASE ASSEMBLY
BUS02047	5	2	BUSHING; AXILE
BRK04747	6	1	BRACKET; AIR OUTLET
BUS02159	7	1	BUSHING; LEFT AXILE
CAS02085	8	1	CASE; REAR ASSEMBLY
PLU01245	9	1	PLUG; DRAIN PAN
GKT04728	10	1	GASKET; O RING, BEARING
BRG01961	11	1	BEARING; RING
SUP06144	12	1	SUPPORT; COIL
PLT05903	13	1	PLATE; MOTOR MOUNTING (METAL)
COL27452	14	1	COIL; EVAP
FAN05604	15	1	FAN; CROSS FLOW
MOT17359	16	1	MOTOR; FAN
PLT05904	17	1	PLATE; MOTOR MOUNTING (PLASTIC)
COV05105	18	1	COVER; REFRIGERANT PIPE
HSE01636	19	1	HOSE; DRAINAGE HOSE
LVR01187	20	1	LOUVER; SIDE GUIDE
MOT17358	21	1	MOTOR; STEPPER
LVR01198	22	3	LOUVER; AIR (MANUAL)
LVR01189	23	1	LOUVER; GUIDE 33 X 4 X 1
SEN02447	24	1	SENSOR; TEMPERATURE

ACCESSORIES INDOOR

75011269

REV
A



All orderable Service Parts are identified for this product.
Parts that are not identified, will not be available to order.
This is a typical illustration. The unit in the field may not appear exactly as shown.

Parts List Number :4MXWUP3#4MXWUP3

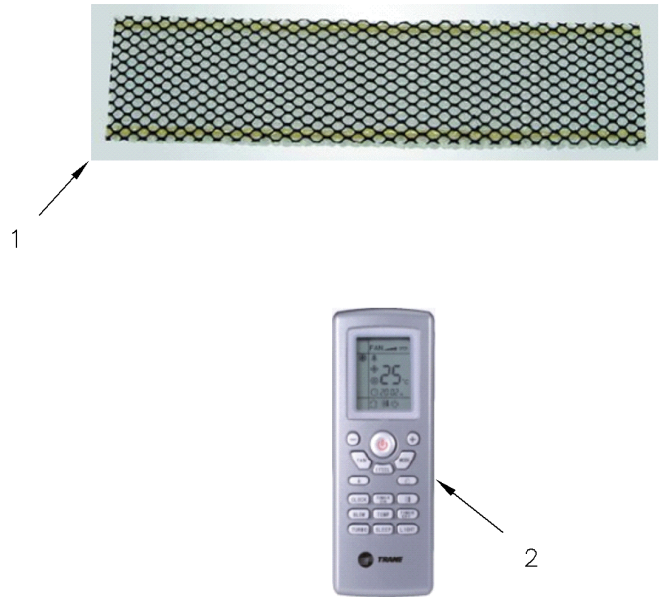
Model Number :4MXW1618A10N0AA

Part No.	Reference No.	Quantity	Description
75011269_4MXWUP3_176344~P	*		ACCESSORIES INDOOR PARTS LIST

ACCESSORIES INDOOR

75011269

REV
A



All orderable Service Parts are identified for this product.
Parts that are not identified, will not be available to order.
This is a typical illustration. The unit in the field may not appear exactly as shown.

Part No.	Reference No.	Quantity	Description
FLR07515	1	1	FILTER; REPLACEMENT FILTER MEDIA; 2-PACK MEDIA, 1 CARBON MEDIA FILTER AND 1 CATECHIN MEDIA FILTER
AREMOTE2AHANDA	2	1	REMOTE CONTROLLER -AMERICAN STANDARD BRAND
TREMOTE2AHANDA	2	1	WIRELESS CONTROLLER FOR (MULT)