

| Part No. | Reference No. | Quantity | Description |
|------------------------------|----------------------|-----------------|--------------------|
| 4MXWUP3_4MXWUP3_176337~ P | * | | 4MXWUP3 PARTS LIST |
| 75011269#4MXWUP3~S | * | | ACCESSORIES INDOOR |
| 75011265#4MXWUP3~S | * | | CONTROLS |
| 75011267#4MXWUP3~S | * | | GENERAL ASSEMBLY |
| 75011263#4MXWUP3~S | * | | MODEL NOMENCLATURE |

NO GRAPHIC AVAILABLE

75013702

REV
A

**NO
GRAPHIC
AVAILABLE**

MODEL NUMBER DESCRIPTION

75011263

REV.
A

16 SEER Mini Split LOMO Indoor

Example Model Number:
4MXW1612A10N0AA
1 - - - 5 - - - 10 - - - 15

Digits 1 – Refrigerant

4 = R-410A

Digits 2 – Unit Type

M = Indoor Unit

Digits 3 – Functional Type

X = Heat Pump Inverter
Y = Cooling Only Inverter

Digits 4 – Configuration Indoor Unit

W = High Wall Unit

Digits 5, 6 – Efficiency Tier

16 = 16 SEER

Digits 7, 8 – Nominal Capacity (Btu/h x 1,000)

09 = 9,000 Btu/h
12 = 12,000 Btu/h
18 = 18,000 Btu/h
24 = 24,000 Btu/h

Digits 9 – Major Development Sequence

A = First Development Sequence

Digits 10 – Electric Power Supply Characteristics

1 = 208-230/60/1

Digits 11 – Reserved for Future Use

0 = Not Currently Used

Digits 12 – Regional Markets Served (1:1 Systems)

N = North America Market

Digits 13 – Reserved for Future Use

0 = Not Currently Used

Digits 14 – Minor Design Sequence

A = First Design Sequence

Digits 15 – Service Digit

A = First Sequence

MODEL NOMENCLATURE

Parts List Number :4MXWUP3#4MXWUP3

Model Number :4MXW1609A10N0AA

| Part No. | Reference No. | Quantity | Description |
|---------------------------|---------------|----------|-------------------------------|
| 75011263_4MXWUP3_176339~P | * | | MODEL NOMENCLATURE PARTS LIST |

MODEL NUMBER DESCRIPTION

75011263

REV.
A

16 SEER Mini Split LOMO Indoor

Example Model Number:
4MXW1612A10N0AA
1 - - - 5 - - - 10 - - - 15

Digits 1 – Refrigerant

4 = R-410A

Digits 2 – Unit Type

M = Indoor Unit

Digits 3 – Functional Type

X = Heat Pump Inverter
Y = Cooling Only Inverter

Digits 4 – Configuration Indoor Unit

W = High Wall Unit

Digits 5, 6 – Efficiency Tier

16 = 16 SEER

Digits 7, 8 – Nominal Capacity (Btu/h x 1,000)

09 = 9,000 Btu/h
12 = 12,000 Btu/h
18 = 18,000 Btu/h
24 = 24,000 Btu/h

Digits 9 – Major Development Sequence

A = First Development Sequence

Digits 10 – Electric Power Supply Characteristics

1 = 208-230/60/1

Digits 11 – Reserved for Future Use

0 = Not Currently Used

Digits 12 – Regional Markets Served (1:1 Systems)

N = North America Market

Digits 13 – Reserved for Future Use

0 = Not Currently Used

Digits 14 – Minor Design Sequence

A = First Design Sequence

Digits 15 – Service Digit

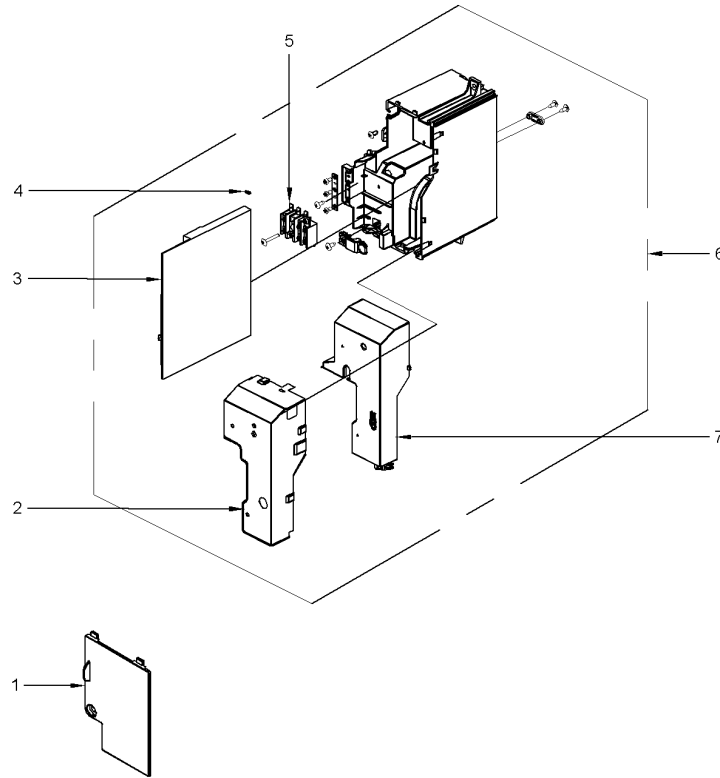
A = First Sequence

16 SEER HIGH WALL UNITS

75011265

REV.
A

INDOOR 0.75 & 1.0 TON ELECTRIC BOX ASSEMBLY



All orderable Service Parts are identified for this product.

Parts that are not identified, will not be available to order.

This is a typical illustration. The unit in the field may not appear exactly as shown.

CONTROLS

Parts List Number :4MXWUP3#4MXWUP3

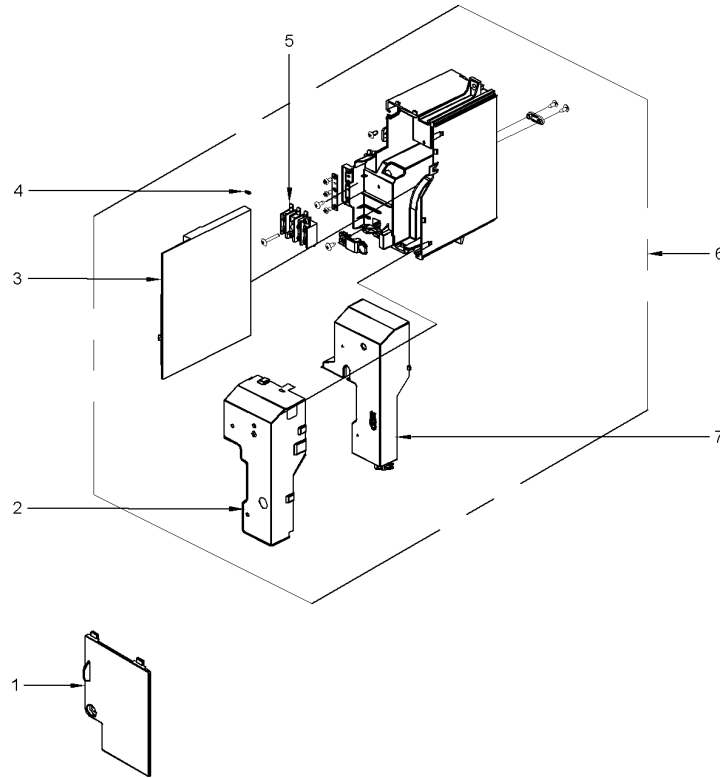
Model Number :4MXW1609A10N0AA

| Part No. | Reference No. | Quantity | Description |
|---------------------------|---------------|----------|---------------------|
| 75011265_4MXWUP3_346055~P | * | | CONTROLS PARTS LIST |

16 SEER HIGH WALL UNITS
INDOOR 0.75 & 1.0 TON ELECTRIC BOX ASSEMBLY

75011265

REV.
A



All orderable Service Parts are identified for this product.

Parts that are not identified, will not be available to order.

This is a typical illustration. The unit in the field may not appear exactly as shown.

CONTROLS PARTS LIST

Parts List Number :4MXWUP3#4MXWUP3

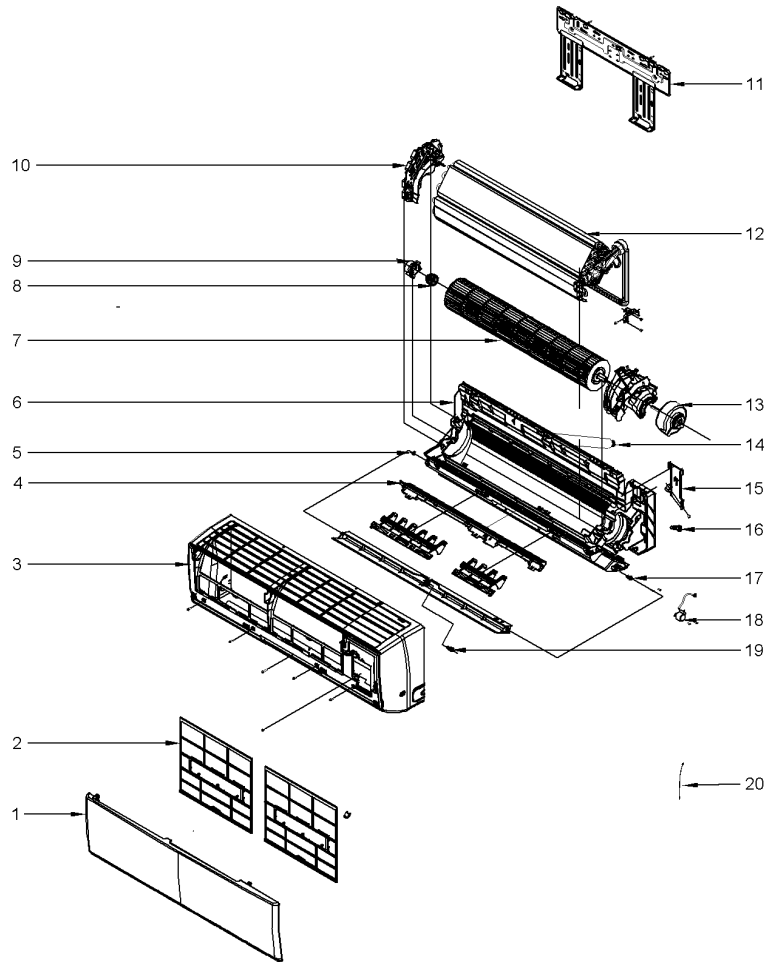
Model Number :4MXW1609A10N0AA

| Part No. | Reference No. | Quantity | Description |
|-----------------|----------------------|-----------------|----------------------------------|
| BOX02991 | 1 | 1 | BOX; ELECTRIC COVER SUB ASSEMBLY |
| COV05100 | 2 | 1 | COVER; ELECTRIC BOX (METAL) |
| BRD05539 | 3 | 1 | BOARD; MAIN |
| CAP01322 | 4 | 1 | CAP; JUMPER |
| BRD02648 | 5 | 1 | BOARD; TERMINAL, |
| BOX02987 | 6 | 1 | BOX; ELECTRIC ASSEMBLY |
| BOX02963 | 7 | 1 | BOX; ELECTRIC COVER |

16 SEER HIGH WALL UNITS
INDOOR 0.75 & 1.0 TON GENERAL ASSEMBLY

75011267

REV
B



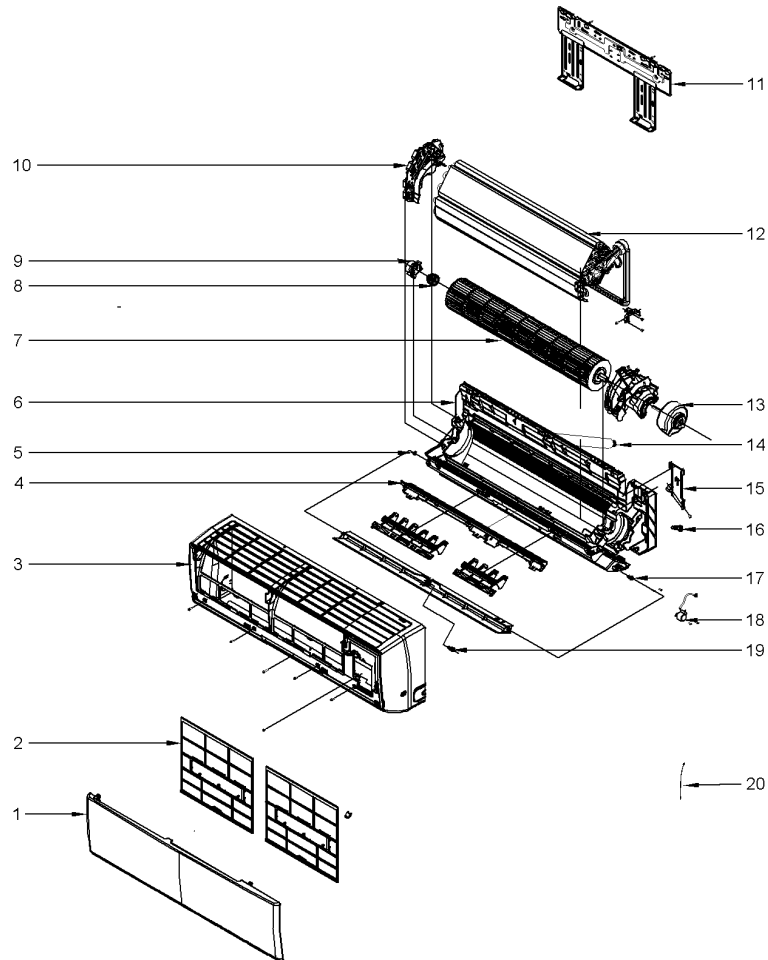
All orderable Service Parts are identified for this product.
Parts that are not identified, will not be available to order.
This is a typical illustration. The unit in the field may not appear exactly as shown.

| Part No. | Reference No. | Quantity | Description |
|---------------------------|---------------|----------|-----------------------------|
| 75011267_4MXWUP3_176342~P | * | | GENERAL ASSEMBLY PARTS LIST |

16 SEER HIGH WALL UNITS
INDOOR 0.75 & 1.0 TON GENERAL ASSEMBLY

75011267

REV
B



All orderable Service Parts are identified for this product.

Parts that are not identified, will not be available to order.

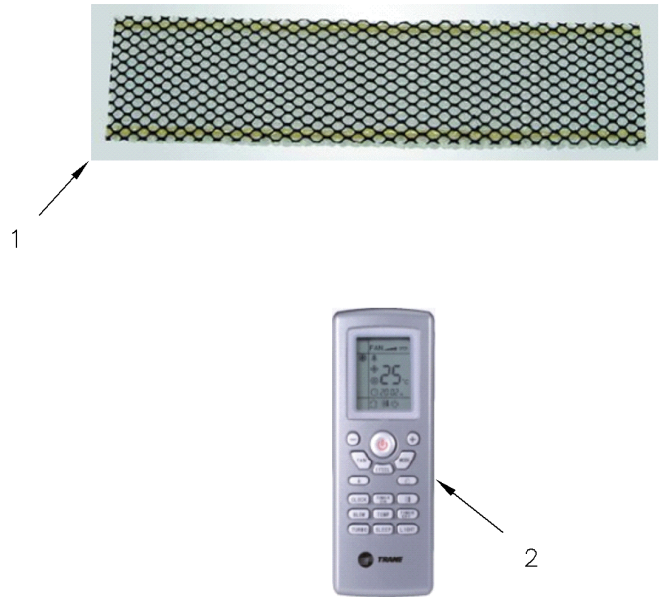
This is a typical illustration. The unit in the field may not appear exactly as shown.

| Part No. | Reference No. | Quantity | Description |
|----------|---------------|----------|----------------------------|
| BRD05637 | * | 1 | BOARD; DISPLAY |
| PNL33739 | 1 | 1 | PANEL; FRONT |
| FLR08360 | 2 | 2 | FILTER; MESH |
| PNL33744 | 3 | 1 | PANEL; FRONT CASE ASSEMBLY |
| BRK04748 | 4 | 1 | BRACKET; AIR OUTLET |
| BUS02159 | 5 | 1 | BUSHING; LEFT AXILE |
| PNL33745 | 6 | 1 | PANEL; REAR CASE ASSEMBLY |
| FAN05633 | 7 | 1 | FAN; CROSS FLOW |
| GKT04728 | 8 | 1 | GASKET; O RING, BEARING |
| BRG01960 | 9 | 1 | BEARING; RING |
| SUP06162 | 10 | 1 | SUPPORT; COIL |
| FRM02298 | 11 | 1 | FRAME; WALL MOUNTING |
| COL27453 | 12 | 1 | COIL; EVAP |
| MOT16743 | 13 | 1 | MOTOR; FAN |
| HSE01922 | 14 | 1 | HOSE; DRAINAGE HOSE |
| COV05141 | 15 | 1 | COVER; REFRIGERANT PIPE |
| PLU01245 | 16 | 1 | PLUG; DRAIN PAN |
| LVR01187 | 17 | 1 | LOUVER; SIDE GUIDE |
| MOT14616 | 18 | 1 | MOTOR; STEPPER |
| BUS02047 | 19 | 1 | BUSHING; AXILE |
| SEN02447 | 20 | 1 | SENSOR; TEMPERATURE |

ACCESSORIES INDOOR

75011269

REV
A



All orderable Service Parts are identified for this product.
Parts that are not identified, will not be available to order.
This is a typical illustration. The unit in the field may not appear exactly as shown.

Parts List Number :4MXWUP3#4MXWUP3

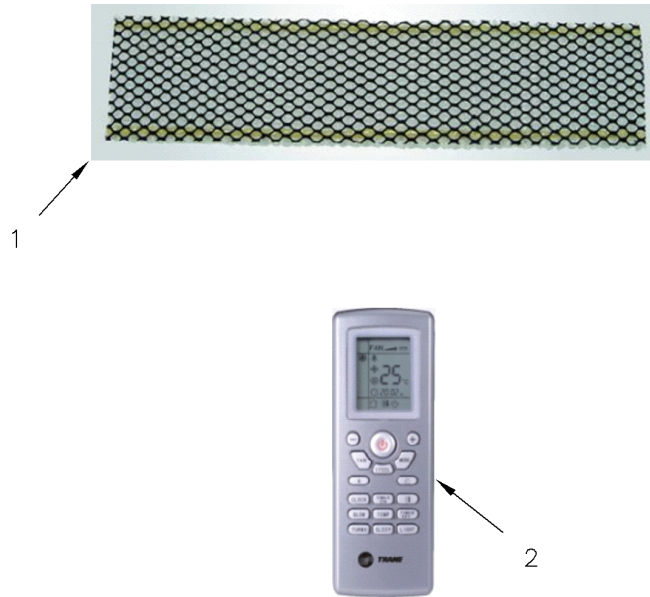
Model Number :4MXW1609A10N0AA

| Part No. | Reference No. | Quantity | Description |
|---------------------------|---------------|----------|-------------------------------|
| 75011269_4MXWUP3_176344~P | * | | ACCESSORIES INDOOR PARTS LIST |

ACCESSORIES INDOOR

75011269

REV
A



All orderable Service Parts are identified for this product.
Parts that are not identified, will not be available to order.
This is a typical illustration. The unit in the field may not appear exactly as shown.

| Part No. | Reference No. | Quantity | Description |
|-----------------|----------------------|-----------------|---|
| FLR07515 | 1 | 1 | FILTER; REPLACEMENT FILTER MEDIA; 2-PACK MEDIA, 1 CARBON MEDIA FILTER AND 1 CATECHIN MEDIA FILTER |
| AREMOTE2AHANDA | 2 | 1 | REMOTE CONTROLLER -AMERICAN STANDARD BRAND |
| TREMOTE2AHANDA | 2 | 1 | WIRELESS CONTROLLER FOR (MULT) |