

Part No.	Reference No.	Quantity	Description
4MXFUP1_4MXFUP1_151295~P	*		4MXFUP1 PARTS LIST
75010011#4MXFUP1~S	*		GENERAL ASSEMBLY FLOOR CONSOLE
75010006#4MXFUP1~S	*		INDOOR MODEL NOMENCLATURE

NO GRAPHIC AVAILABLE

75013702

REV
A

**NO
GRAPHIC
AVAILABLE**

MODEL NOMENCLATURE

75010006

REV
A

G. Indoor Unit – Inverter 1:1 & Multi-Split Systems

Model Number Example

4 M X W 6 5 1 2 A 1 0 N 0 B A
1 2 3 4 5 6 7 8 9 10 11 12 13 14 15

Digit 1 = Refrigerant
4 = R-410a

Digit 2 = Brand Name
M = Mini-Split Indoor Unit

Digit 3 = Functional Type
X = Heat Pump Inverter
Y = Cooling Only Inverter

Digit 4 = Configuration Indoor Unit
W = High Wall Unit
D = Concealed (Duct) Unit
C = Cassette Unit
F = Floor Console Unit
X = Convertible (Floor/Ceiling) Mount

Digit 5 = Efficiency Tier
6 = 16+ SEER
8 = 18+ SEER

Digit 6 = Connection Type
5 = Flare

Digit 7,8 = Nominal Capacity
(Btu/h x 1,000)

09 = 9,000 Btu/h
12 = 12,000 Btu/h
18 = 18,000 Btu/h
24 = 24,000 Btu/h
30 = 30,000 Btu/h
36 = 36,000 Btu/h

Digit 9 = Major Development Sequence
A = First Development Sequence

Digit 10 = Electric Power Supply Characteristics
1 = 208-230/60/1

Digit 11 = Reserved for Future Use
0 = Not Currently Used

Digit 12 = Regional Markets Served
N = North America Market

Digit 13 = Reserved for Future Use
0 = Not Currently Used

Digit 14 = Minor Design Sequence
A = First Design Sequence
B = Second Design Sequence

Digit 15 = Service Digit
A = First Sequence

Part No.	Reference No.	Quantity	Description
75010006_4MXFUP1_151296~P	*		INDOOR MODEL NOMENCLATURE PARTS LIST

MODEL NOMENCLATURE

75010006

REV
A

G. Indoor Unit – Inverter 1:1 & Multi-Split Systems

Model Number Example

4 M X W 6 5 1 2 A 1 0 N 0 B A
1 2 3 4 5 6 7 8 9 10 11 12 13 14 15

Digit 1 = Refrigerant
4 = R-410a

Digit 2 = Brand Name
M = Mini-Split Indoor Unit

Digit 3 = Functional Type
X = Heat Pump Inverter
Y = Cooling Only Inverter

Digit 4 = Configuration Indoor Unit
W = High Wall Unit
D = Concealed (Duct) Unit
C = Cassette Unit
F = Floor Console Unite
X = Convertible (Floor/Ceiling) Mount

Digit 5 = Efficiency Tier
6 = 16+ SEER
8 = 18+ SEER

Digit 6 = Connection Type
5 = Flare

Digit 7,8 = Nominal Capacity
(Btu/h x 1,000)

09 = 9,000 Btu/h
12 = 12,000 Btu/h
18 = 18,000 Btu/h
24 = 24,000 Btu/h
30 = 30,000 Btu/h
36 = 36,000 Btu/h

Digit 9 = Major Development Sequence
A = First Development Sequence

Digit 10 = Electric Power Supply Characteristics
1 = 208-230/60/1

Digit 11 = Reserved for Future Use
0 = Not Currently Used

Digit 12 = Regional Markets Served
N = North America Market

Digit 13 = Reserved for Future Use
0 = Not Currently Used

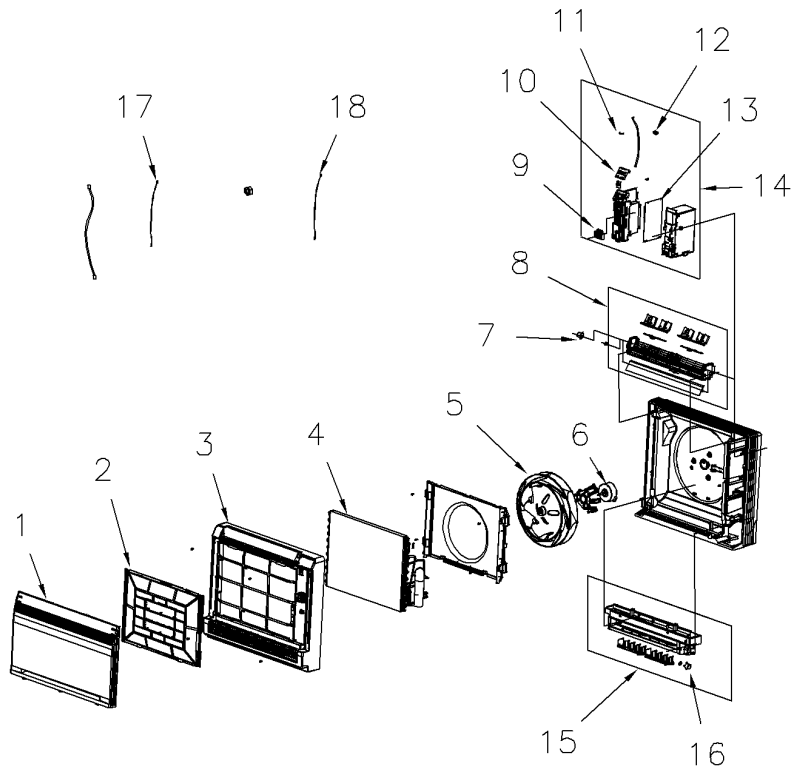
Digit 14 = Minor Design Sequence
A = First Design Sequence
B = Second Design Sequence

Digit 15 = Service Digit
A = First Sequence

GENERAL ASSEMBLY

75010011

REV
A



*NOT ILLUSTRATED
TYPICAL ILLUSTRATION

Parts List Number :4MXFUP1#4MXFUP1

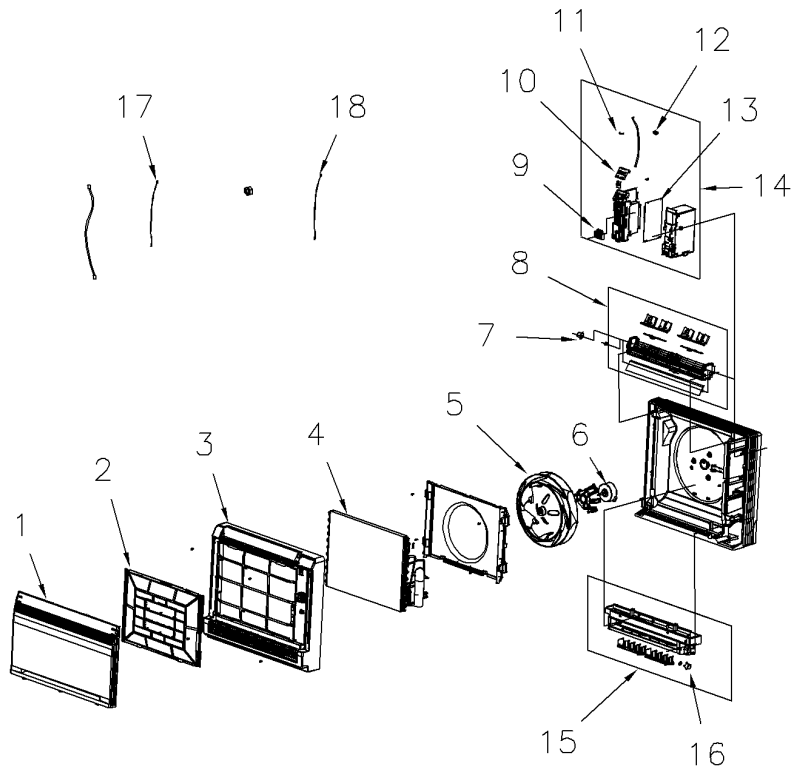
Model Number :4MXF8518A10N0AA

Part No.	Reference No.	Quantity	Description
75010011_4MXFUP1_275084~P	*		GENERAL ASSEMBLY FLOOR CONSOLE PARTS LIST

GENERAL ASSEMBLY

75010011

REV
A



*NOT ILLUSTRATED
TYPICAL ILLUSTRATION

Parts List Number :4MXFUP1#4MXFUP1

Model Number :4MXF8518A10N0AA

Part No.	Reference No.	Quantity	Description
PIP01682	*	1	PIPE;DRAIN PIPE
PNL29820	1	1	PANEL; FRONT PANEL ASSY
FLR07794	2	1	FILTER; SUB-ASSY
PNL29823	3	1	PANEL; FRONT CASE ASSY
COL20389	4	1	COIL; EVAPORATOR ASSY
FAN05028	5	1	FAN; CENTRIFUGAL FAN
MOT16148	6	1	MOTOR; FAN
MOT16159	7	1	MOTOR; STEP
LVR01146	8	1	LOUVER; SWING ASSY
BRD02648	9	1	BOARD; TERMINAL,
BRD04886	10	1	BOARD; DISPLAY
FUS01998	11	1	FUSE; (46010055)
EXC02410	12	1	EXCHANGER; HEAT SINK
BRD04890	13	1	BOARD; MAIN
CNT07036	14	1	CONTROL; ELECTRIC BOX ASSY
PAN03412	15	1	PAN; WATER TRAY ASSY
MOT16149	16	1	MOTOR; STEP
SEN01332	17	1	SENSOR, TUBE (390000591)
SEN01816	18	1	SENSOR; AMBIENT TEMPERATURE SENSOR(390000453)