

Part No.	Reference No.	Quantity	Description
4MXFUP1_4MXFUP1_151295~P	*		4MXFUP1 PARTS LIST
75010014#4MXFUP1~S	*		GENERAL ASSEMBLY CONCEALED DUCT
75010006#4MXFUP1~S	*		INDOOR MODEL NOMENCLATURE

NO GRAPHIC AVAILABLE

75013702

REV
A

**NO
GRAPHIC
AVAILABLE**

MODEL NOMENCLATURE

75010006

REV
A

G. Indoor Unit – Inverter 1:1 & Multi-Split Systems

Model Number Example

4 M X W 6 5 1 2 A 1 0 N 0 B A
1 2 3 4 5 6 7 8 9 10 11 12 13 14 15

Digit 1 = Refrigerant

4 = R-410a

Digit 2 = Brand Name

M = Mini-Split Indoor Unit

Digit 3 = Functional Type

X = Heat Pump Inverter

Y = Cooling Only Inverter

Digit 4 = Configuration Indoor Unit

W = High Wall Unit

D = Concealed (Duct) Unit

C = Cassette Unit

F = Floor Console Unit

X = Convertible (Floor/Ceiling) Mount

Digit 5 = Efficiency Tier

6 = 16+ SEER

8 = 18+ SEER

Digit 6 = Connection Type

5 = Flare

Digit 7,8 = Nominal Capacity

(Btu/h x 1,000)

09 = 9,000 Btu/h

12 = 12,000 Btu/h

18 = 18,000 Btu/h

24 = 24,000 Btu/h

30 = 30,000 Btu/h

36 = 36,000 Btu/h

Digit 9 = Major Development Sequence

A = First Development Sequence

Digit 10 = Electric Power Supply Characteristics

1 = 208-230/60/1

Digit 11 = Reserved for Future Use

0 = Not Currently Used

Digit 12 = Regional Markets Served

N = North America Market

Digit 13 = Reserved for Future Use

0 = Not Currently Used

Digit 14 = Minor Design Sequence

A = First Design Sequence

B = Second Design Sequence

Digit 15 = Service Digit

A = First Sequence

Part No.	Reference No.	Quantity	Description
75010006_4MXFUP1_151296~P	*		INDOOR MODEL NOMENCLATURE PARTS LIST

MODEL NOMENCLATURE

75010006

REV
A

G. Indoor Unit – Inverter 1:1 & Multi-Split Systems

Model Number Example

4 M X W 6 5 1 2 A 1 0 N 0 B A
1 2 3 4 5 6 7 8 9 10 11 12 13 14 15

Digit 1 = Refrigerant
 4 = R-410a

Digit 2 = Brand Name
 M = Mini-Split Indoor Unit

Digit 3 = Functional Type
 X = Heat Pump Inverter
 Y = Cooling Only Inverter

Digit 4 = Configuration Indoor Unit
 W = High Wall Unit
 D = Concealed (Duct) Unit
 C = Cassette Unit
 F = Floor Console Unite
 X = Convertible (Floor/Ceiling) Mount

Digit 5 = Efficiency Tier
 6 = 16+ SEER
 8 = 18+ SEER

Digit 6 = Connection Type
 5 - Flare

Digit 7,8 = Nominal Capacity
 (Btu/h x 1,000)

09 = 9,000 Btu/h
 12 = 12,000 Btu/h
 18 = 18,000 Btu/h
 24 = 24,000 Btu/h
 30 = 30,000 Btu/h
 36 = 36,000 Btu/h

Digit 9 = Major Development Sequence
 A = First Development Sequence

Digit 10 = Electric Power Supply Characteristics
 1 = 208-230/60/1

Digit 11 = Reserved for Future Use
 0 = Not Currently Used

Digit 12 = Regional Markets Served
 N = North America Market

Digit 13 = Reserved for Future Use
 0 = Not Currently Used

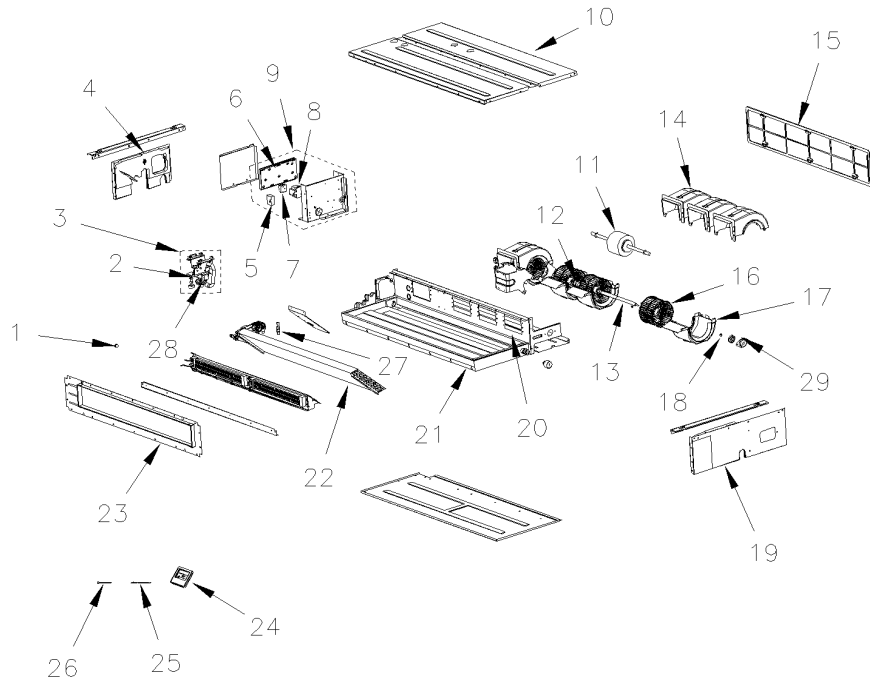
Digit 14 = Minor Design Sequence
 A = First Design Sequence
 B = Second Design Sequence

Digit 15 = Service Digit
 A = First Sequence

GENERAL ASSEMBLY

75010014

REV
B



* NOT ILLUSTRATED
TYPICAL ILLUSTRATION

Parts List Number :4MXFUP1#4MXFUP1

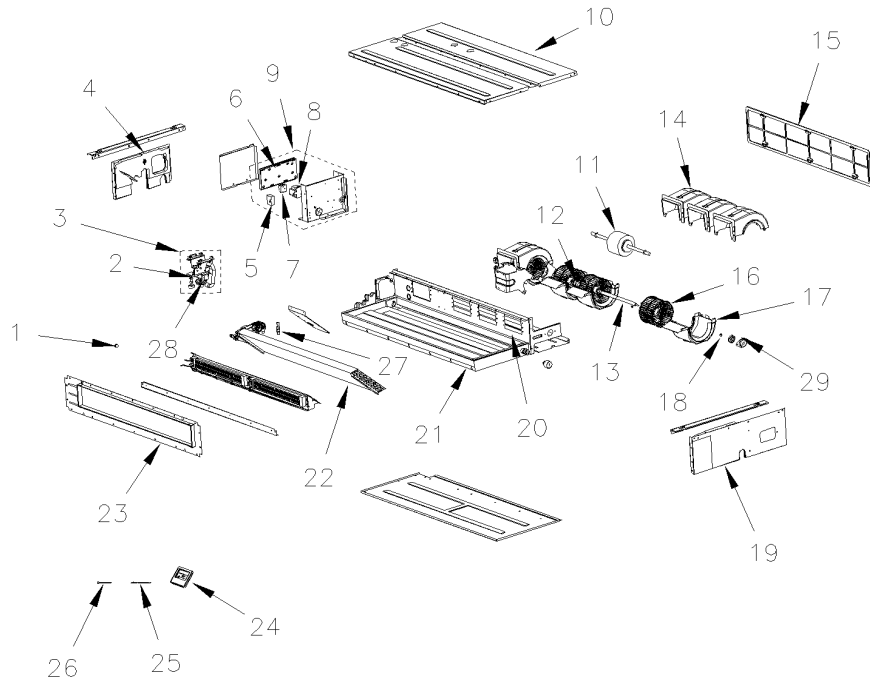
Model Number :4MXD8521A10N0AA

Part No.	Reference No.	Quantity	Description
75010014_4MXFUP1_342910~P	*		GENERAL ASSEMBLY CONCEALED DUCT PARTS LIST

GENERAL ASSEMBLY

75010014

REV
B



* NOT ILLUSTRATED
TYPICAL ILLUSTRATION

Parts List Number :4MXFUP1#4MXFUP1

Model Number :4MXD8521A10N0AA

Part No.	Reference No.	Quantity	Description
PIP01681	*	1	PIPE;DRAIN PIPE
WIR07841	*	1	WIRE; SIGNAL
FLR07789	1	1	FILTER; SUB-ASSY
SWT03733	2	1	SWITCH; WATER LEVEL
PMP02098	3	1	PUMP; WATER ASSY
PNL29811	4	1	PANEL; LEFT SIDE PLATE ASSY
CPT01224	5	1	CAPACITOR; FAN, 3UF/450V
BRD04889	6	1	BOARD; MAIN
BRD03953	7	1	BOARD; TERMINAL BOARD(420111041)
TRR02544	8	1	TRANSFORMER;
CNT07033	9	1	CONTROL; ELECTRIC BOX ASSY
PNL29829	10	1	PANEL; TOP COVER ASSY
MOT16155	11	1	MOTOR; FAN
UNN00978	12	1	UNION; JOINT SLACK
SHF03514	13	1	SHAFT; ROTARY AXIS SUB-ASSY
HUS04121	14	4	HOUSING; FRONT VOLUTE CASING
FLR07801	15	1	FILTER; SUB-ASSY
FAN05031	16	4	FAN; CENTRIFUGAL FAN
HUS04122	17	4	HOUSING; REAR VOLUTE CASING
BRG01795	18	1	BEARING; FAN BEARING(76512210)
PNL29815	19	1	PANEL; RIGHT SIDE PLATE ASSY
PNL29819	20	1	PANEL; FAN MOUNTING PLATE ASSY
PAN03416	21	1	PAN; WATER TRAY ASSY
COL20403	22	1	COIL; EVAPORATOR ASSY
PNL29834	23	1	PANEL; AIR OUTLET FRAME ASSY
CNT07041	24	1	CONTROLLER; WIRED
SEN02187	25	1	SENSOR; AMBIENT TEMPERATURE
SEN02189	26	1	SENSOR; TEMPERATURE
PMP02193	28	1	PUMP; WATER
SUP05970	29	1	SUPPORT; OF MOTOR BEARING