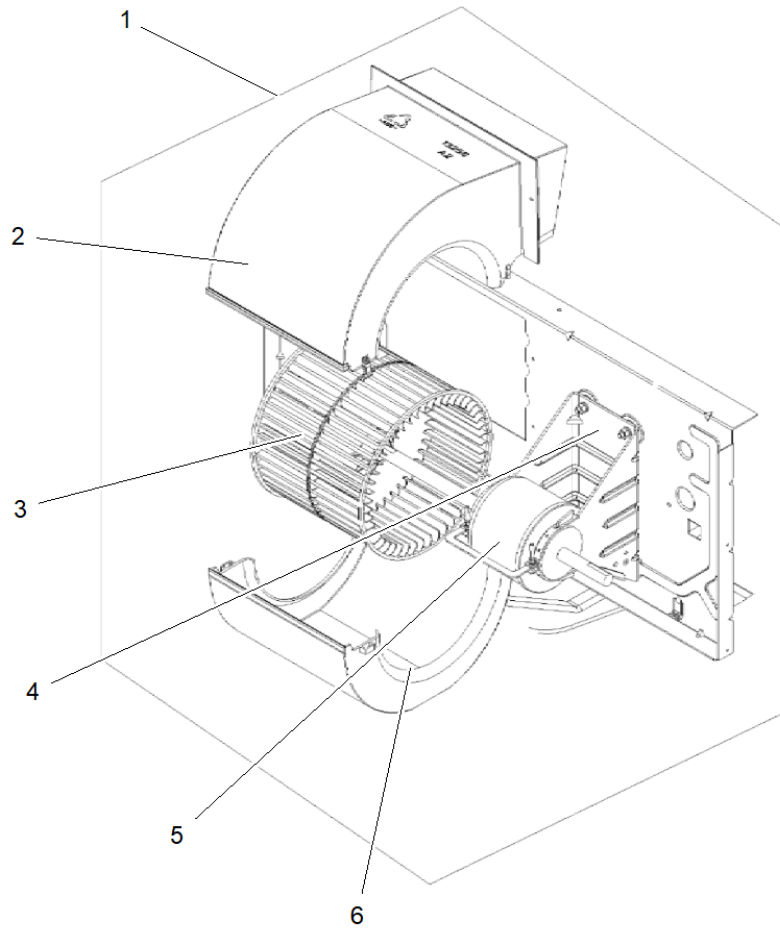


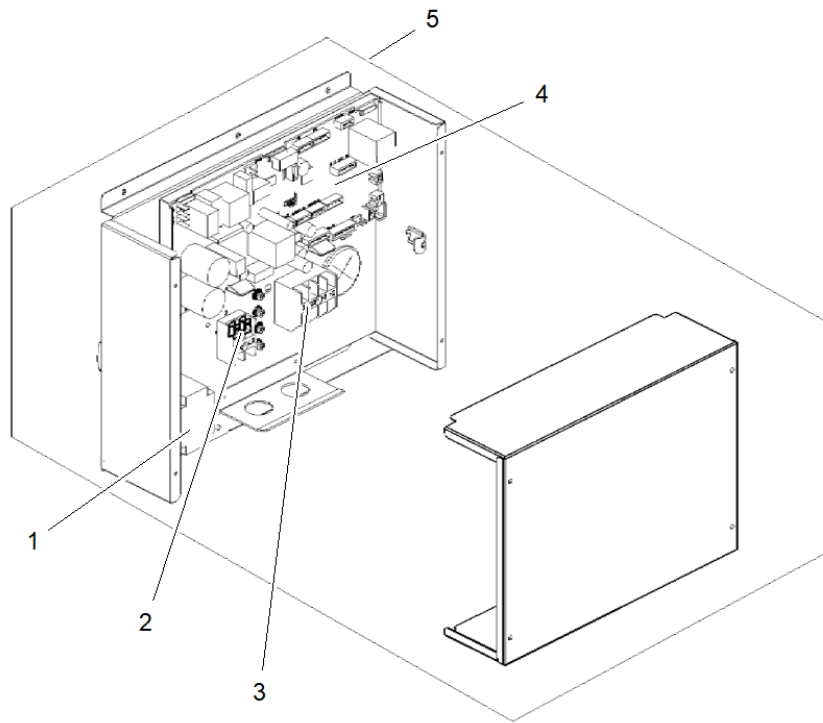
<b>Part No.</b>	<b>Reference No.</b>	<b>Quantity</b>	<b>Description</b>
0000145339~S	*		Centifugal Fan Assembly
0000145338~S	*		Electric Box Assembly
0000145341~S	*		General Assembly
0000145320~S	*		Model Number Description

Part No.	Reference No.	Quantity	Description
0000024891~P	*		Ducted 9&12k - Centifugal Fan Assembly



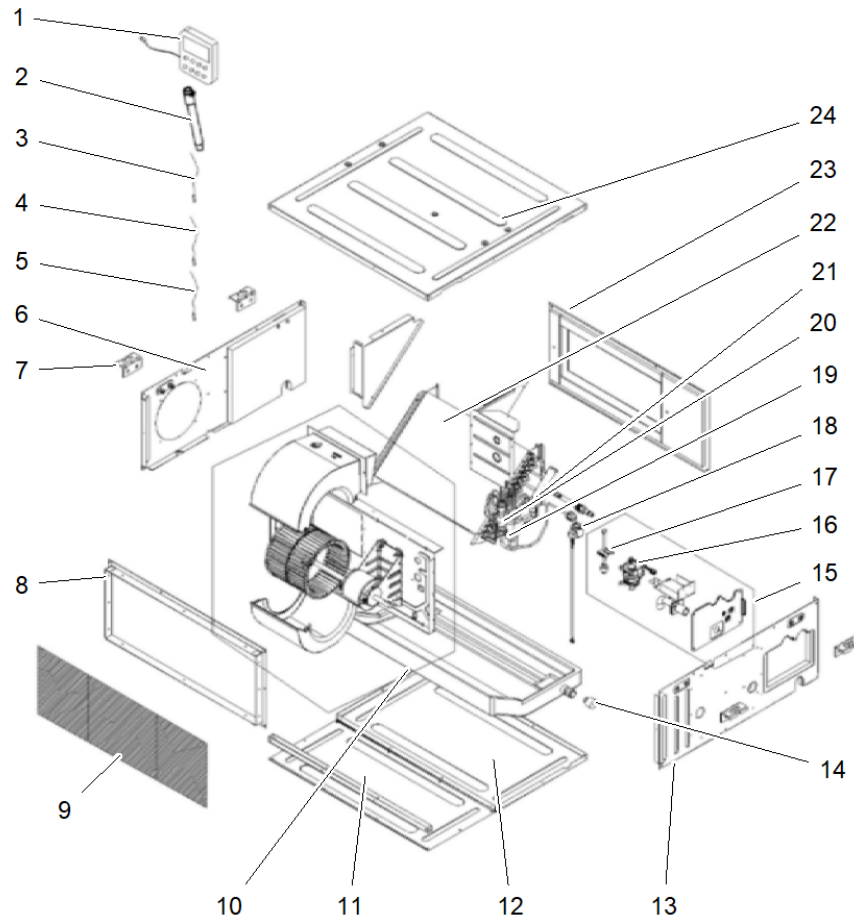
<b>Part No.</b>	<b>Reference No.</b>	<b>Quantity</b>	<b>Description</b>
FAN06474	1	1	FAN; CENTRIFUGAL ASM
HUS04429	2	1	HOUSING; PROPELLER UPPER
FAN06475	3	1	FAN; CENTRIFUGAL
SUP06887	4	1	SUPPORT; SUPPORTER, FAN MOTOR
MOT20133	5	1	MOTOR; BRUSHLESS DC
HUS04430	6	1	HOUSING; PROPELLER LOWER

Part No.	Reference No.	Quantity	Description
0000024890~P	*		Ducted 9&12k - Electric Box Assembly



<b>Part No.</b>	<b>Reference No.</b>	<b>Quantity</b>	<b>Description</b>
BRD07667	3	1	BOARD; TERMINAL
BRD07674	4	1	BOARD; MAIN
BOX04382	5	1	BOX; ELECTRIC ASM

Part No.	Reference No.	Quantity	Description
0000024892~P	*		Ducted 9&12k - General Assembly



Part No.	Reference No.	Quantity	Description
BRD07673	1	1	BOARD; DISPLAY
HSE01875	2	1	HOSE; DRAIN SUB-ASSY
SEN01333	3	1	SENSOR; AMBIENT TEMPERATURE (390000451)
SEN02280	4	1	SENSOR; TEMPERATURE
PLT07061	6	1	PLATE; RIGHT SIDE ASM
BRK04556	7	4	BRACKET; HOOK
SUP06886	8	1	SUPPORT; RETURN AIR FRAME SUB ASM
FLR09270	9	1	FILTER; SUB ASM
PNL38289	10	1	PANEL; FOAM SUB ASM
COV06087	11	1	COVER; OF AIR-IN
PLT07062	12	1	PLATE; BOTTOM COVER
PLT07063	13	1	PLATE; LEFT SIDE ASM
PIP03389	14	2	PIPE; CHOKE PLUG OF DRAIN
PLT07064	15	1	PLATE; SEAL ASM
PNP02384	16	1	PUMP; WATER
SWT04579	17	1	SWITCH; WATER LEVEL
EVP02884	22	1	EVAPORATOR; ASM
SUP06888	23	1	SUPPORT; AIR OUTLET ASM
BRD07675	24	1	BOARD; TOP COVER ASM

Part No.	Reference No.	Quantity	Description
0000024885~P	*		Model Number Description

<b>MODEL NUMBER DESCRIPTION</b>	<b>75014679</b>	REV <b>A</b>
<b>Multi Split IDU Update</b>		
<i>Example Model Number:</i> <b>4MX6512A10N0BA</b> 1 - - - 5 - - - - 10 - - - - 15		
<b>Digit 1 – Refrigerant</b> 4 = R-410A	<b>Digit 13 – Reserved for Future Use</b> 0 = Not Currently Used	
<b>Digit 2 – Unit Type</b> M = Indoor Unit U = Pro Series	<b>Digit 14 – Minor Design Sequence</b> A,B,C, etc. = Minor Design Sequence	
<b>Digit 3 – Function Type</b> X = Heat Pump Inverter Y = Cooling Only Inverter	<b>Digit 15 – Service Digit</b> A,B,C,etc. = Service Digit Sequence	
<b>Digit 4 – Configuration Indoor Unit</b> W = High Wall Unit D = Ceiling Concealed Unit C = Cassette Unit F = Floor Console Unit X = Convertible (Floor/Ceiling) Mount L = Cassette Panel Cover		
<b>Digit 5,6 – Efficiency Tier</b> 16 = 16 SEER 65 = 16 SEER 85 = 18 SEER 20 = up to 22 SEER Pro Series 22 = up to 22 SEER 27 = up to 27 SEER		
<b>Digit 7,8 – Nominal Capacity</b> 09 = 9,000 Btu/h    30 = 30,000 Btu/h 12 = 12,000 Btu/h    36 = 36,000 Btu/h 18 = 18,000 Btu/h    42 = 42,000 Btu/h 21 = 21,000 Btu/h    48 = 48,000 Btu/h 24 = 24,000 Btu/h		
<b>Digit 9 – Major Development Sequence</b> A, B, C, etc. = Major Development Sequence		
<b>Digit 10 – Electric Power Supply Characteristics</b> 1 = 208-230/60/1 L = 115/60/1		
<b>Digit 11 – Reserved for Future Use</b> 0 = Not Currently Used		
<b>Digit 12 – Regional Markets Served (1:1 Systems)</b> N = North America Market		
		1 of 1

