

<b>Part No.</b>	<b>Reference No.</b>	<b>Quantity</b>	<b>Description</b>
4MXFUP1_4MXFUP1_151295~P	*		4MXFUP1 PARTS LIST
75010016#4MXFUP1~S	*		GENERAL ASSEMBLY CASSETTE
75010006#4MXFUP1~S	*		INDOOR MODEL NOMENCLATURE

NO GRAPHIC AVAILABLE

75013702

REV  
A

**NO  
GRAPHIC  
AVAILABLE**

MODEL NOMENCLATURE

75010006

REV  
A

G. Indoor Unit – Inverter 1:1 & Multi-Split Systems

Model Number Example

**4 M X W 6 5 1 2 A 1 0 N 0 B A**  
**1 2 3 4 5 6 7 8 9 10 11 12 13 14 15**

Digit 1 = Refrigerant  
 4 = R-410a

Digit 2 = Brand Name  
 M = Mini-Split Indoor Unit

Digit 3 = Functional Type  
 X = Heat Pump Inverter  
 Y = Cooling Only Inverter

Digit 4 = Configuration Indoor Unit  
 W = High Wall Unit  
 D = Concealed (Duct) Unit  
 C = Cassette Unit  
 F = Floor Console Unite  
 X = Convertible (Floor/Ceiling) Mount

Digit 5 = Efficiency Tier  
 6 = 16+ SEER  
 8 = 18+ SEER

Digit 6 = Connection Type  
 5 - Flare

Digit 7,8 = Nominal Capacity  
 (Btu/h x 1,000)

09 = 9,000 Btu/h  
 12 = 12,000 Btu/h  
 18 = 18,000 Btu/h  
 24 = 24,000 Btu/h  
 30 = 30,000 Btu/h  
 36 = 36,000 Btu/h

Digit 9 = Major Development Sequence  
 A = First Development Sequence

Digit 10 = Electric Power Supply Characteristics  
 1 = 208-230/60/1

Digit 11 = Reserved for Future Use  
 0 = Not Currently Used

Digit 12 = Regional Markets Served  
 N = North America Market

Digit 13 = Reserved for Future Use  
 0 = Not Currently Used

Digit 14 = Minor Design Sequence  
 A = First Design Sequence  
 B = Second Design Sequence

Digit 15 = Service Digit  
 A = First Sequence

Part No.	Reference No.	Quantity	Description
75010006_4MXFUP1_151296~P	*		INDOOR MODEL NOMENCLATURE PARTS LIST

MODEL NOMENCLATURE

75010006

REV  
A

G. Indoor Unit – Inverter 1:1 & Multi-Split Systems

Model Number Example

**4 M X W 6 5 1 2 A 1 0 N 0 B A**  
**1 2 3 4 5 6 7 8 9 10 11 12 13 14 15**

Digit 1 = Refrigerant

4 = R-410a

Digit 2 = Brand Name

M = Mini-Split Indoor Unit

Digit 3 = Functional Type

X = Heat Pump Inverter

Y = Cooling Only Inverter

Digit 4 = Configuration Indoor Unit

W = High Wall Unit

D = Concealed (Duct) Unit

C = Cassette Unit

F = Floor Console Unite

X = Convertible (Floor/Ceiling) Mount

Digit 5 = Efficiency Tier

6 = 16+ SEER

8 = 18+ SEER

Digit 6 = Connection Type

5 = Flare

Digit 7,8 = Nominal Capacity

(Btu/h x 1,000)

09 = 9,000 Btu/h

12 = 12,000 Btu/h

18 = 18,000 Btu/h

24 = 24,000 Btu/h

30 = 30,000 Btu/h

36 = 36,000 Btu/h

Digit 9 = Major Development Sequence

A = First Development Sequence

Digit 10 = Electric Power Supply Characteristics

1 = 208-230/60/1

Digit 11 = Reserved for Future Use

0 = Not Currently Used

Digit 12 = Regional Markets Served

N = North America Market

Digit 13 = Reserved for Future Use

0 = Not Currently Used

Digit 14 = Minor Design Sequence

A = First Design Sequence

B = Second Design Sequence

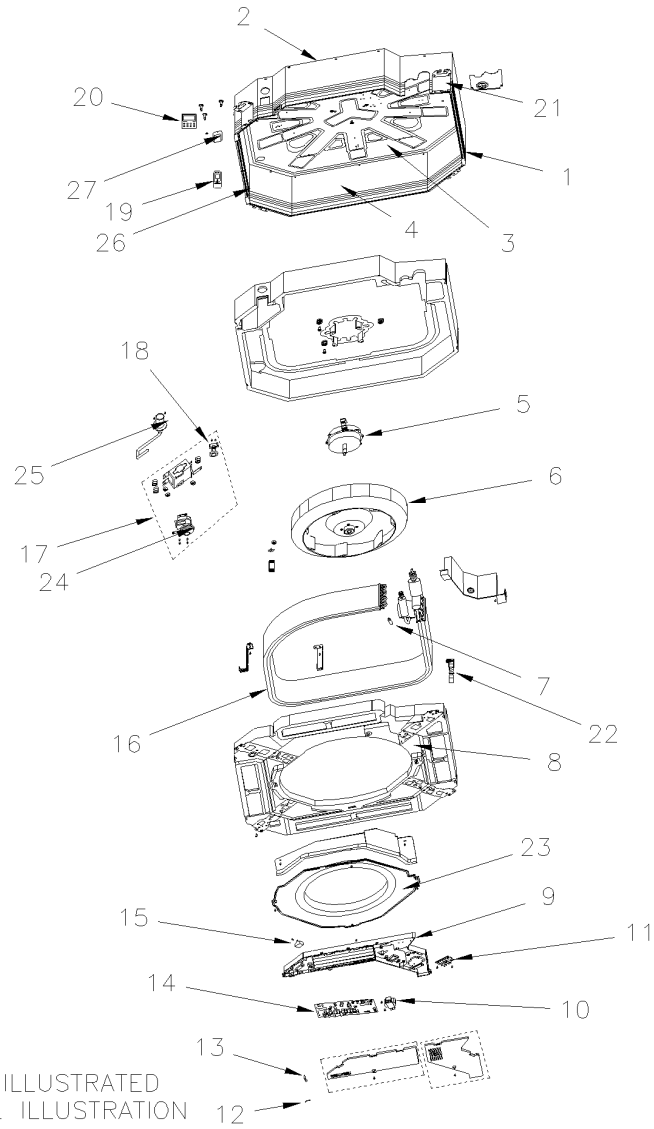
Digit 15 = Service Digit

A = First Sequence

GENERAL ASSEMBLY

75010016

REV  
B

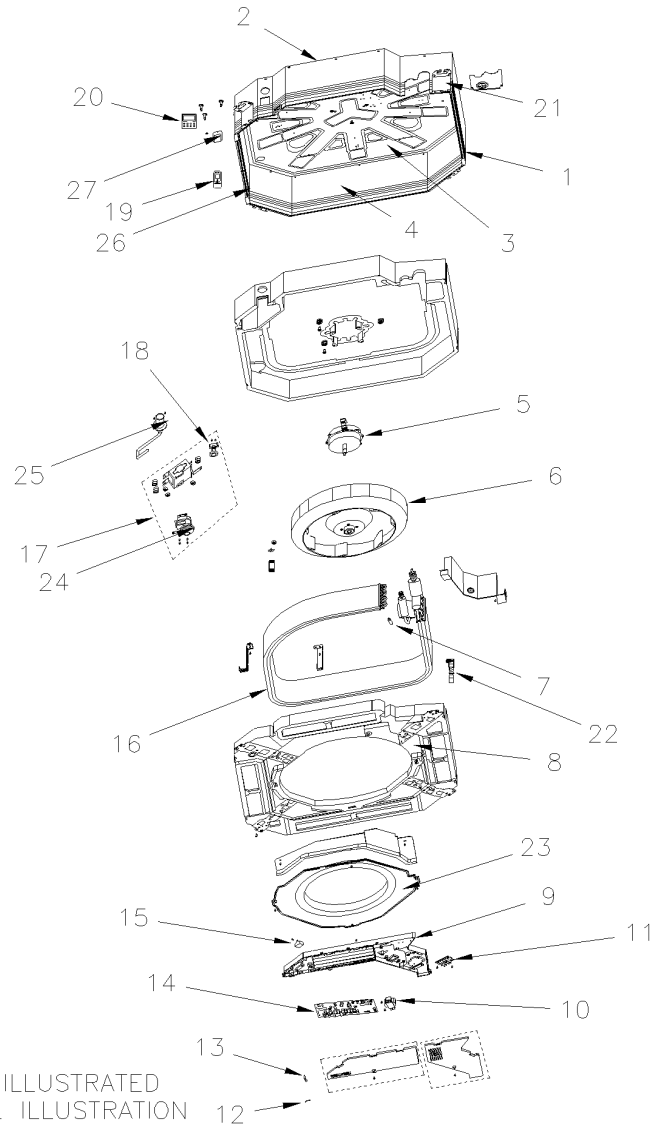


Part No.	Reference No.	Quantity	Description
75010016_4MXFUP1_165258~P	*		GENERAL ASSEMBLY CASSETTE PARTS LIST

GENERAL ASSEMBLY

75010016

REV  
B



Part No.	Reference No.	Quantity	Description
WIR07841	*	1	WIRE; SIGNAL
PNL29807	1	1	PANEL; FRONT SIDE PLATE
PNL29808	2	1	PANEL; LEFT SIDE PLATE ASSY
PNL29809	3	1	PANEL; BASE PLATE ASSY
PNL29810	4	1	PANEL; REAR SIDE PLATE
MOT16150	5	1	MOTOR; FAN
FAN05029	6	1	FAN; CENTRIFUGAL FAN
FLR07790	7	1	FILTER; SUB-ASSY
PAN03410	8	1	PAN; WATER TRAY ASSY
CNT07035	9	1	CONTROL; ELECTRIC BOX ASSY
TRR02544	10	1	TRANSFORMER;
BRD04891	11	1	BOARD; TERMINAL
SEN02185	12	1	SENSOR; AMBIENT TEMPERATURE
SEN02189	13	1	SENSOR; TEMPERATURE
BRD04892	14	1	BOARD; MAIN
CPT01224	15	1	CAPACITOR; FAN, 3UF/450V
COL20398	16	1	COIL; EVAPORATOR ASSY
PMP02099	17	1	PUMP; WATER ASSY
SWT03733	18	1	SWITCH; WATER LEVEL
CNT07032	19	1	CONTROLLER; REMOTE
CNT07041	20	1	CONTROLLER; WIRED
PLT05627	21	4	PLATE; BODY INSTALLING
HSE01876	22	1	HOSE; DRAIN SUB-ASSY
RNG02372	23	1	RING; DIVERSION CIRCLE
PMP02193	24	1	PUMP; WATER
PIP02078	25	1	PIPE; PUMP DRAIN
PNL32137	26	1	PANEL; RIGHT SIDE PLATE ASSY
COV04932	27	1	COVER; PUMP COVER BOARD ASSY