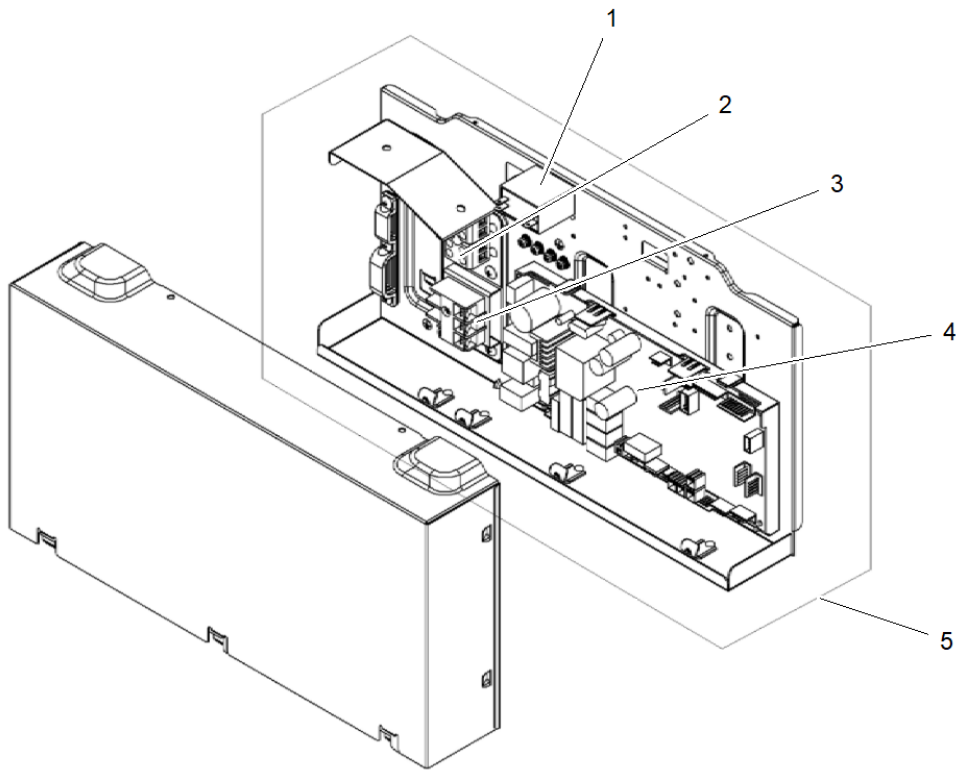


Parts List Number :0000145317

Model Number :4MXC8518B10N0AA

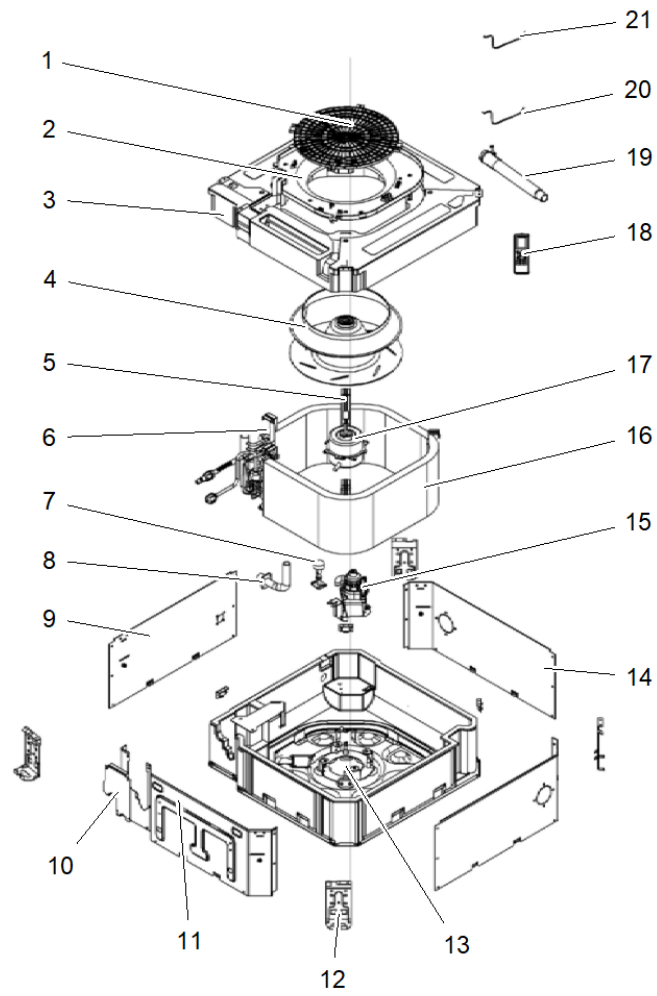
<b>Part No.</b>	<b>Reference No.</b>	<b>Quantity</b>	<b>Description</b>
0000145338~S	*		Electric Box Assembly
0000145341~S	*		General Assembly
0000145320~S	*		Model Number Description

Part No.	Reference No.	Quantity	Description
0000024879~P	*		Cassette 18k -Electric Box Assembly



<b>Part No.</b>	<b>Reference No.</b>	<b>Quantity</b>	<b>Description</b>
BRD07667	3	1	BOARD; TERMINAL
BRD07668	4	1	BOARD; MAIN
BOX04378	5	1	BOX; ELECTRIC ASM

Part No.	Reference No.	Quantity	Description
0000024880~P	*		Cassette 18k -General Assembly



Part No.	Reference No.	Quantity	Description
4MXL8518B10N0A	*	1	COVER; CASSETE COVER FOR 8512-8518
GRL01951	1	1	GRILLE; REAR
RNG02376	2	1	RING; DIVERSION CIRCLE
PAN03867	3	1	PAN; WATER TRAY ASSY
FAN05466	4	1	FAN; CENTRIFUGAL
SUP06876	5	3	SUPPORT;
BAF01533	6	1	BAFFLE; PLATE SUB ASM
SWT03913	7	1	SWITCH; LIQUID LEVEL
PMP02382	8	1	PUMP; DRAINPIPE
PNL32154	9	1	PANEL; LEFT SIDE PLATE SUB-ASSY
PLT07047	10	1	PLATE; PRESS OUTLET PIPE
PNL32156	11	1	PANEL; FRONT SIDE PLATE SUB-ASSY
SUP05930	12	4	SUPPORT; BODY INSTALLING
PLT07045	13	1	PLATE; BASE ASM
PNL32155	14	2	PANEL; RIGHT SIDE PLATE SUB-ASSY
PMP02381	15	1	PUMP; WATER
EVP02879	16	1	EVAPORATOR; ASM
MOT18903	17	1	MOTOR; BRUSHLESS DC
CNT08675	18	1	CONTROL; REMOTE
HSE02082	19	1	HOSE; DRAIN SUB ASM
SEN02374	20	1	SENSOR; TUBE
SEN03068	21	1	SENSOR; ROOM

Part No.	Reference No.	Quantity	Description
0000024885~P	*		Model Number Description

<b>MODEL NUMBER DESCRIPTION</b>	<b>75014679</b>	REV <b>A</b>
<b>Multi Split IDU Update</b>		
<i>Example Model Number:</i> <b>4MXX6512A10N0BA</b> 1 - - - 5 - - - - 10 - - - - 15		
<b>Digit 1 – Refrigerant</b> 4 = R-410A	<b>Digit 13 – Reserved for Future Use</b> 0 = Not Currently Used	
<b>Digit 2 – Unit Type</b> M = Indoor Unit U = Pro Series	<b>Digit 14 – Minor Design Sequence</b> A,B,C, etc. = Minor Design Sequence	
<b>Digit 3 – Function Type</b> X = Heat Pump Inverter Y = Cooling Only Inverter	<b>Digit 15 – Service Digit</b> A,B,C,etc. = Service Digit Sequence	
<b>Digit 4 – Configuration Indoor Unit</b> W = High Wall Unit D = Ceiling Concealed Unit C = Cassette Unit F = Floor Console Unit X = Convertible (Floor/Ceiling) Mount L = Cassette Panel Cover		
<b>Digit 5,6 – Efficiency Tier</b> 16 = 16 SEER 65 = 16 SEER 85 = 18 SEER 20 = up to 22 SEER Pro Series 22 = up to 22 SEER 27 = up to 27 SEER		
<b>Digit 7,8 – Nominal Capacity</b> 09 = 9,000 Btu/h      30 = 30,000 Btu/h 12 = 12,000 Btu/h    36 = 36,000 Btu/h 18 = 18,000 Btu/h    42 = 42,000 Btu/h 21 = 21,000 Btu/h    48 = 48,000 Btu/h 24 = 24,000 Btu/h		
<b>Digit 9 – Major Development Sequence</b> A, B, C, etc. = Major Development Sequence		
<b>Digit 10 – Electric Power Supply Characteristics</b> 1 = 208-230/60/1 L = 115/60/1		
<b>Digit 11 – Reserved for Future Use</b> 0 = Not Currently Used		
<b>Digit 12 – Regional Markets Served (1:1 Systems)</b> N = North America Market		
		1 of 1

