

Part No.	Reference No.	Quantity	Description
4MXFUP1_4MXFUP1_151295~P	*		4MXFUP1 PARTS LIST
75010015#4MXFUP1~S	*		GENERAL ASSEMBLY CASSETTE
75010006#4MXFUP1~S	*		INDOOR MODEL NOMENCLATURE
75012817#4MXFUP1~S	*		PIP01685

NO GRAPHIC AVAILABLE

75013702

REV
A

**NO
GRAPHIC
AVAILABLE**

MODEL NOMENCLATURE

75010006

REV
A

G. Indoor Unit – Inverter 1:1 & Multi-Split Systems

Model Number Example

4 M X W 6 5 1 2 A 1 0 N 0 B A
1 2 3 4 5 6 7 8 9 10 11 12 13 14 15

Digit 1 = Refrigerant

4 = R-410a

Digit 2 = Brand Name

M = Mini-Split Indoor Unit

Digit 3 = Functional Type

X = Heat Pump Inverter

Y = Cooling Only Inverter

Digit 4 = Configuration Indoor Unit

W = High Wall Unit

D = Concealed (Duct) Unit

C = Cassette Unit

F = Floor Console Unite

X = Convertible (Floor/Ceiling) Mount

Digit 5 = Efficiency Tier

6 = 16+ SEER

8 = 18+ SEER

Digit 6 = Connection Type

5 = Flare

Digit 7,8 = Nominal Capacity

(Btu/h x 1,000)

09 = 9,000 Btu/h

12 = 12,000 Btu/h

18 = 18,000 Btu/h

24 = 24,000 Btu/h

30 = 30,000 Btu/h

36 = 36,000 Btu/h

Digit 9 = Major Development Sequence

A = First Development Sequence

Digit 10 = Electric Power Supply Characteristics

1 = 208-230/60/1

Digit 11 = Reserved for Future Use

0 = Not Currently Used

Digit 12 = Regional Markets Served

N = North America Market

Digit 13 = Reserved for Future Use

0 = Not Currently Used

Digit 14 = Minor Design Sequence

A = First Design Sequence

B = Second Design Sequence

Digit 15 = Service Digit

A = First Sequence

Part No.	Reference No.	Quantity	Description
75010006_4MXFUP1_151296~P	*		INDOOR MODEL NOMENCLATURE PARTS LIST

MODEL NOMENCLATURE

75010006

REV
A

G. Indoor Unit – Inverter 1:1 & Multi-Split Systems

Model Number Example

4 M X W 6 5 1 2 A 1 0 N 0 B A
1 2 3 4 5 6 7 8 9 10 11 12 13 14 15

Digit 1 = Refrigerant
 4 = R-410a

Digit 2 = Brand Name
 M = Mini-Split Indoor Unit

Digit 3 = Functional Type
 X = Heat Pump Inverter
 Y = Cooling Only Inverter

Digit 4 = Configuration Indoor Unit
 W = High Wall Unit
 D = Concealed (Duct) Unit
 C = Cassette Unit
 F = Floor Console Unite
 X = Convertible (Floor/Ceiling) Mount

Digit 5 = Efficiency Tier
 6 = 16+ SEER
 8 = 18+ SEER

Digit 6 = Connection Type
 5 - Flare

Digit 7,8 = Nominal Capacity
 (Btu/h x 1,000)

09 = 9,000 Btu/h
 12 = 12,000 Btu/h
 18 = 18,000 Btu/h
 24 = 24,000 Btu/h
 30 = 30,000 Btu/h
 36 = 36,000 Btu/h

Digit 9 = Major Development Sequence
 A = First Development Sequence

Digit 10 = Electric Power Supply Characteristics
 1 = 208-230/60/1

Digit 11 = Reserved for Future Use
 0 = Not Currently Used

Digit 12 = Regional Markets Served
 N = North America Market

Digit 13 = Reserved for Future Use
 0 = Not Currently Used

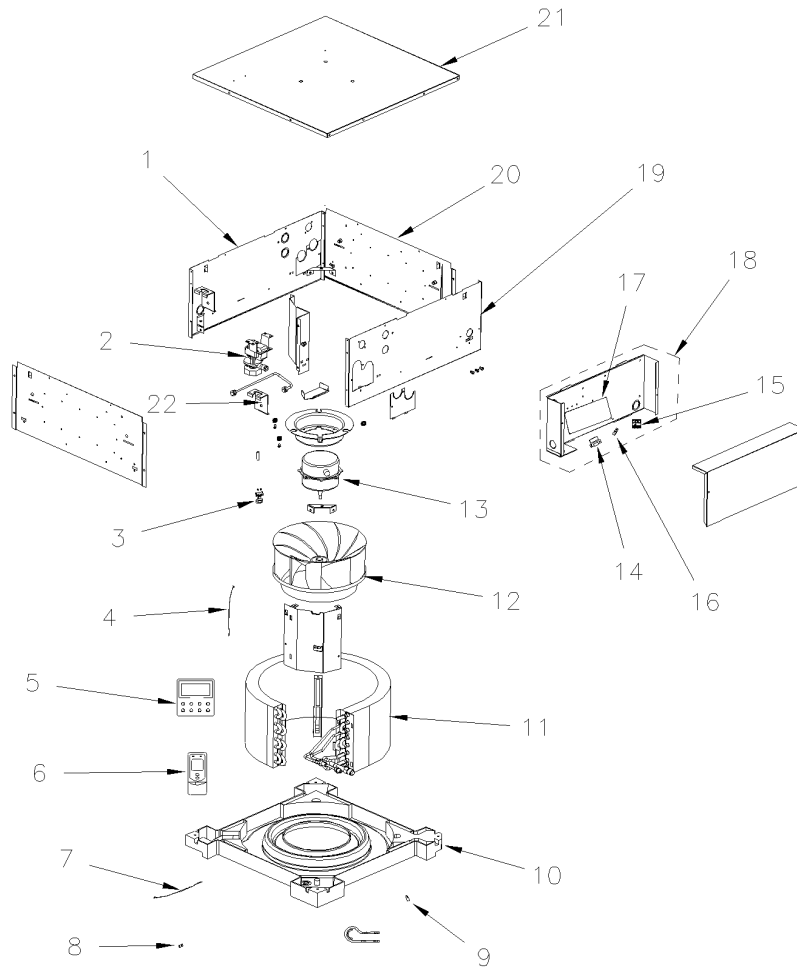
Digit 14 = Minor Design Sequence
 A = First Design Sequence
 B = Second Design Sequence

Digit 15 = Service Digit
 A = First Sequence

GENERAL ASSEMBLY

75010015

REV
B



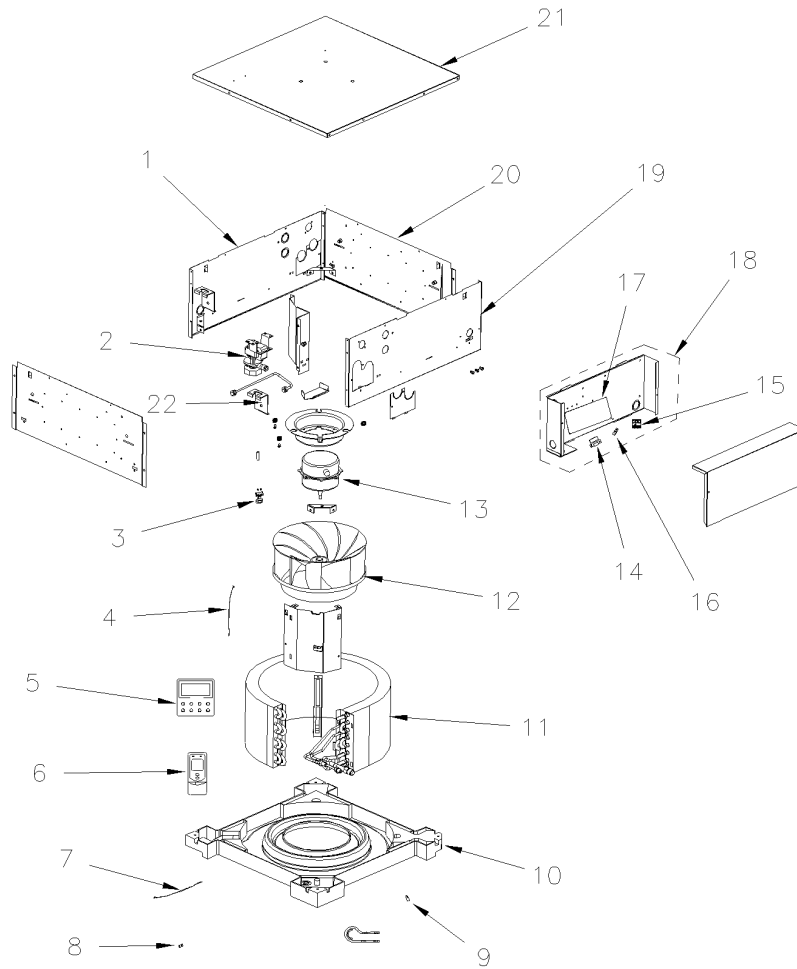
* NOT ILLUSTRATED
TYPICAL ILLUSTRATION

Part No.	Reference No.	Quantity	Description
75010015_4MXFUP1_370936~P	*		GENERAL ASSEMBLY CASSETTE PARTS LIST

GENERAL ASSEMBLY

75010015

REV
B



* NOT ILLUSTRATED
TYPICAL ILLUSTRATION

Parts List Number :4MXFUP1#4MXFUP1

Model Number :4MXC8518A10N0AA

Part No.	Reference No.	Quantity	Description
WIR07841	*	1	WIRE; SIGNAL
PNL29806	1	1	PANEL; FRONT SIDE PLATE
PMP02097	2	1	PUMP; WATER
SWT03734	3	1	SWITCH; WATER LEVEL
SEN02189	4	1	SENSOR; TEMPERATURE
CNT07041	5	1	CONTROLLER; WIRED
CNT07032	6	1	CONTROLLER; REMOTE
SEN02184	7	1	SENSOR; AMBIENT TEMPERATURE
FLR07797	8	1	FILTER; SUB-ASSY
FLR07799	9	1	FILTER; SUB-ASSY
PAN03411	10	1	PAN; WATER TRAY ASSY
COL20393	11	1	COIL; EVAPORATOR ASSY
FAN05030	12	1	FAN; CENTRIFUGAL FAN
MOT16158	13	1	MOTOR; FAN
TRR02149	14	1	TRANSFORMER; (43110257)
BRD03953	15	1	BOARD; TERMINAL BOARD(420111041)
CPT02255	16	1	CAPACITOR; CBB61
BRD04894	17	1	BOARD; MAIN
CNT07040	18	1	CONTROL; ELECTRIC BOX ASSY
PNL29816	19	1	PANEL; FRONT SIDE PLATE
PNL29817	20	2	PANEL; RIGHT SIDE PLATE SUB-ASSY
PNL29832	21	1	PANEL; SEAT BOARD SUB-ASSY
SUP05930	22	4	SUPPORT; BODY INSTALLING

PIP01685
PIPE; DRAIN

75012817

REV.
A



All orderable Service Parts are identified for this product.
Parts that are not identified, will not be available to order.
This is a typical illustration. The unit in the field may not appear exactly as shown.

Parts List Number :4MXFUP1#4MXFUP1

Model Number :4MXC8518A10N0AA

Part No.	Reference No.	Quantity	Description
75012817_4MXFUP1_370937~P	*		PIP01685 PARTS LIST

PIP01685
PIPE; DRAIN

75012817

REV.
A



All orderable Service Parts are identified for this product.
Parts that are not identified, will not be available to order.
This is a typical illustration. The unit in the field may not appear exactly as shown.

Parts List Number :4MXFUP1#4MXFUP1

Model Number :4MXC8518A10N0AA

Part No.	Reference No.	Quantity	Description
PIP01685	1	1	PIPE; DRAIN PIPE