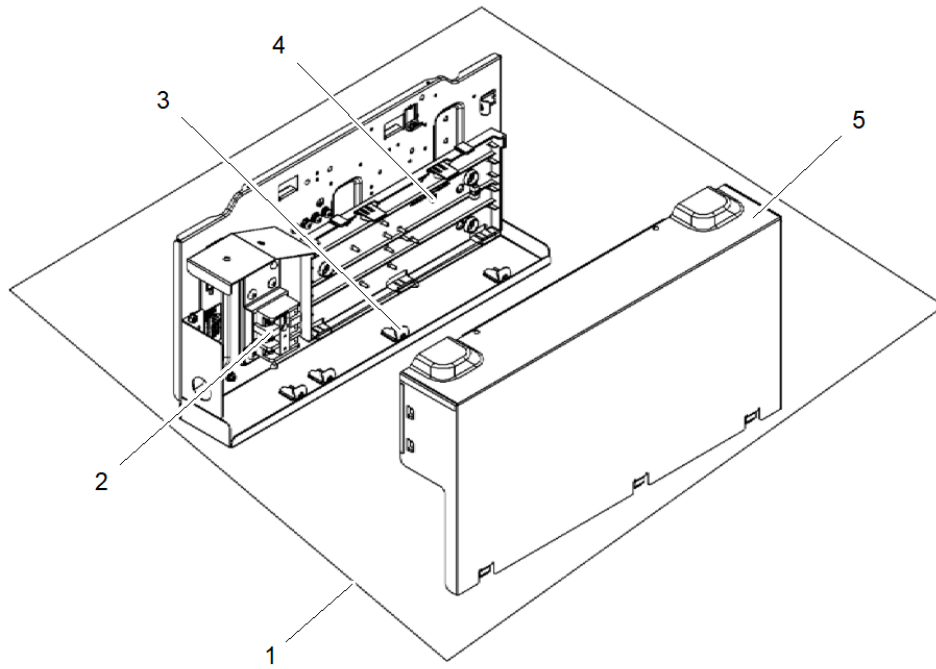


Parts List Number :0000145317

Model Number :4MXC8512B10N0AA

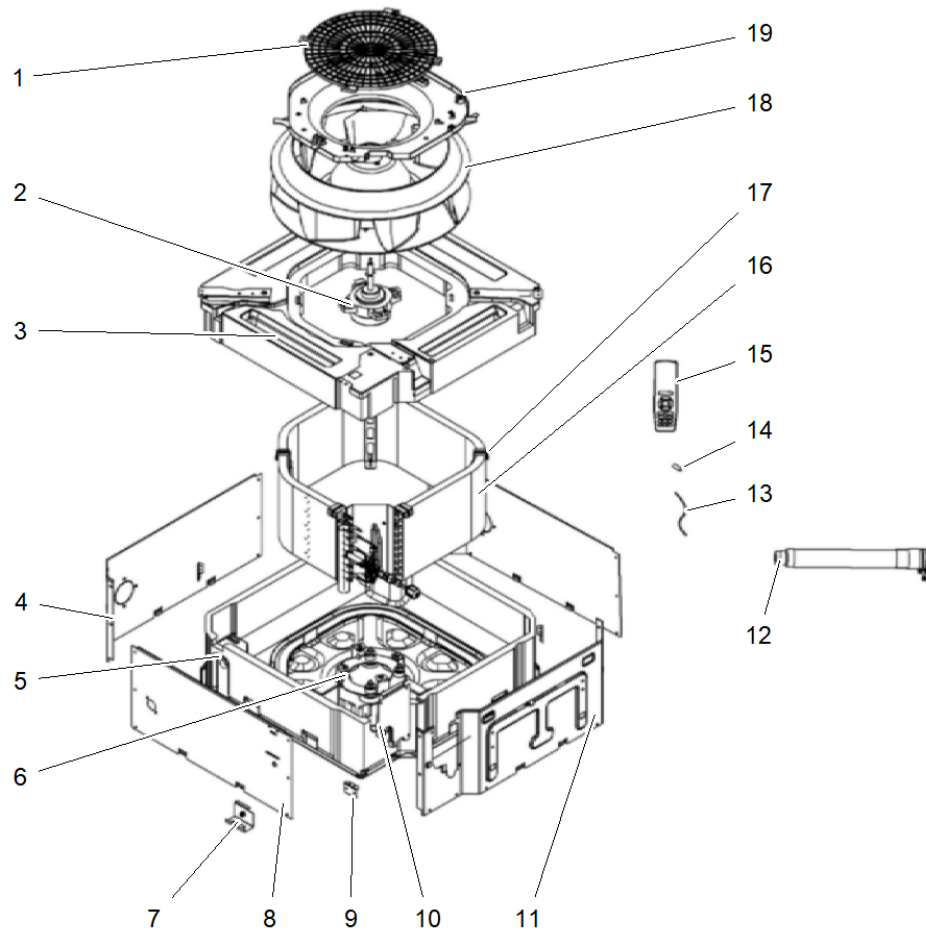
Part No.	Reference No.	Quantity	Description
0000145338~S	*		Electric Box Assembly
0000145341~S	*		General Assembly
0000145320~S	*		Model Number Description
0000145337~S	*		Water Pump Assembly

Part No.	Reference No.	Quantity	Description
0000024877~P	*		Cassette 12k - Electric Box Assembly



Part No.	Reference No.	Quantity	Description
BOX04377	1	1	BOX; ELECTRIC ASM
BRD07667	2	1	BOARD; TERMINAL
CMP01710	3	6	CLAMP;
BRD07668	4	1	BOARD; MAIN
COV06082	5	1	COVER; ELECTRIC BOX

Part No.	Reference No.	Quantity	Description
0000024878~P	*		Cassette 12k - General Assembly

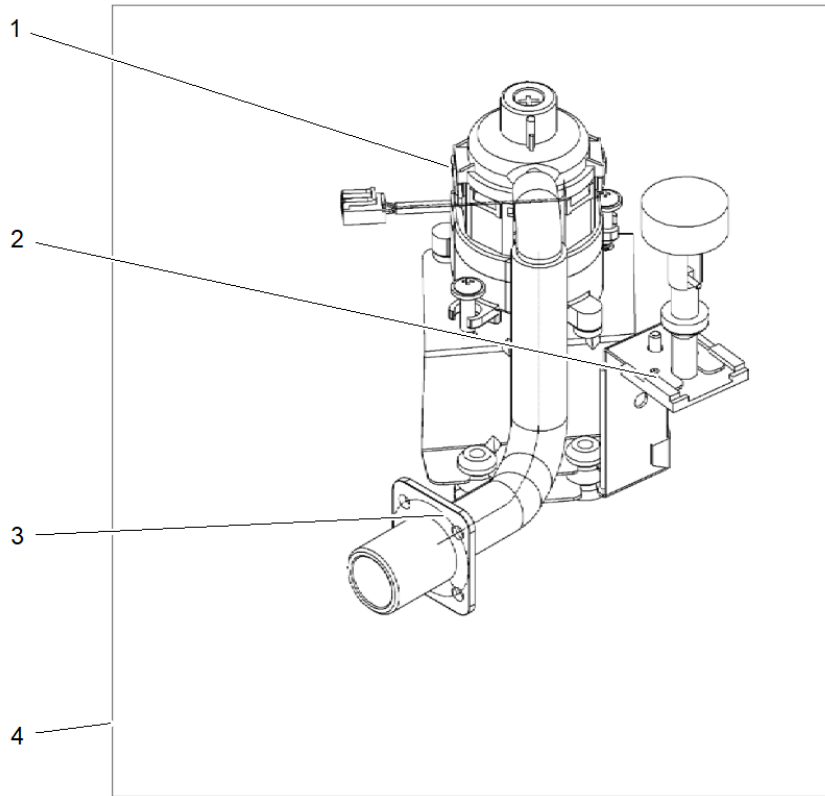


Part No.	Reference No.	Quantity	Description
4MXL8518B10N0A	*	1	COVER; CASSETE COVER FOR 8512-8518
GRL01951	1	1	GRILLE; REAR
MOT18903	2	1	MOTOR; BRUSHLESS DC
PAN03867	3	1	PAN; WATER TRAY ASSY
PNL32155	4	2	PANEL; RIGHT SIDE PLATE SUB-ASSY
PNL38277	5	1	PANEL; BOTTOM FOAM ASM
PLT07045	6	1	PLATE; BASE ASM
SUP05930	7	4	SUPPORT; BODY INSTALLING
PNL32154	8	1	PANEL; LEFT SIDE PLATE SUB-ASSY
PNL38278	9	4	PANEL; CONNECTED BOARD FRONT
PLT07046	10	1	PLATE; COVER SUB ASM
PNL32156	11	1	PANEL; FRONT SIDE PLATE SUB-ASSY
HSE02082	12	1	HOSE; DRAIN SUB ASM
SEN03068	13	1	SENSOR; ROOM
SEN02374	14	1	SENSOR; TUBE
CNT08675	15	1	CONTROL; REMOTE
EVP02878	16	1	EVAPORATOR; ASM
SUP06876	17	3	SUPPORT;
FAN05466	18	1	FAN; CENTRIFUGAL
RNG02376	19	1	RING; DIVERSION CIRCLE

Part No.	Reference No.	Quantity	Description
0000024885~P	*		Model Number Description

MODEL NUMBER DESCRIPTION	75014679	REV A
Multi Split IDU Update		
<i>Example Model Number:</i> 4MXX6512A10N0BA 1 - - - 5 - - - - 10 - - - - 15		
Digit 1 – Refrigerant 4 = R-410A	Digit 13 – Reserved for Future Use 0 = Not Currently Used	
Digit 2 – Unit Type M = Indoor Unit U = Pro Series	Digit 14 – Minor Design Sequence A,B,C, etc. = Minor Design Sequence	
Digit 3 – Function Type X = Heat Pump Inverter Y = Cooling Only Inverter	Digit 15 – Service Digit A,B,C,etc. = Service Digit Sequence	
Digit 4 – Configuration Indoor Unit W = High Wall Unit D = Ceiling Concealed Unit C = Cassette Unit F = Floor Console Unit X = Convertible (Floor/Ceiling) Mount L = Cassette Panel Cover		
Digit 5,6 – Efficiency Tier 16 = 16 SEER 65 = 16 SEER 85 = 18 SEER 20 = up to 22 SEER Pro Series 22 = up to 22 SEER 27 = up to 27 SEER		
Digit 7,8 – Nominal Capacity 09 = 9,000 Btu/h 30 = 30,000 Btu/h 12 = 12,000 Btu/h 36 = 36,000 Btu/h 18 = 18,000 Btu/h 42 = 42,000 Btu/h 21 = 21,000 Btu/h 48 = 48,000 Btu/h 24 = 24,000 Btu/h		
Digit 9 – Major Development Sequence A, B, C, etc. = Major Development Sequence		
Digit 10 – Electric Power Supply Characteristics 1 = 208-230/60/1 L = 115/60/1		
Digit 11 – Reserved for Future Use 0 = Not Currently Used		
Digit 12 – Regional Markets Served (1:1 Systems) N = North America Market		
		1 of 1

Part No.	Reference No.	Quantity	Description
0000024876~P	*		Cassette 12k - Water Pump Assembly



Part No.	Reference No.	Quantity	Description
PMP02381	1	1	PUMP; WATER
SWT03913	2	1	SWITCH; LIQUID LEVEL
PMP02382	3	1	PUMP; DRAINPIPE
PMP02383	4	1	PUMP; WATER PUMP ASM