

Parts List Number :0000159464

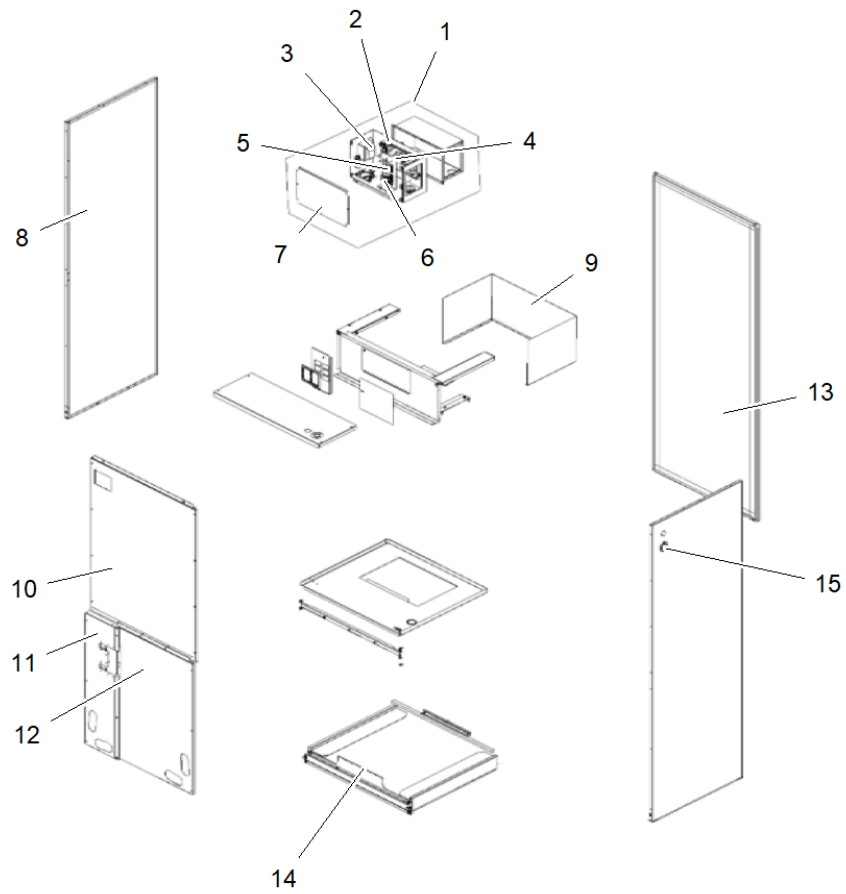
Model Number :4MXA2060A10NUAA

<b>Part No.</b>	<b>Reference No.</b>	<b>Quantity</b>	<b>Description</b>
0000159488~S	*		CABINET & ELECTRIC BOX ASSEMBLY
0000159499~S	*		EVAPORATOR & FAN ASSEMBLY
0000159484~S	*		MODEL NUMBER DESCRIPTION

Parts List Number :0000159464

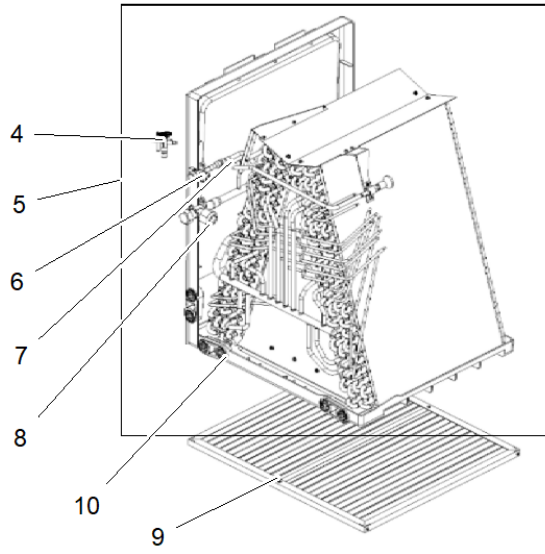
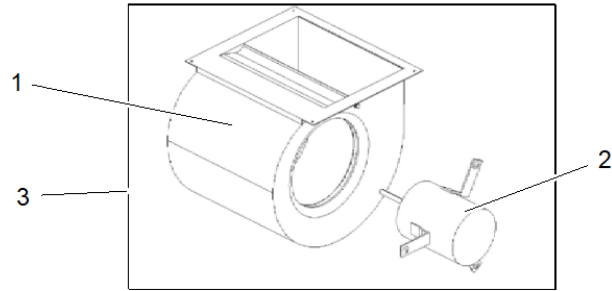
Model Number :4MXA2060A10NUAA

Part No.	Reference No.	Quantity	Description
0000032089~P	*		CABINET & ELECTRIC BOX ASSEMBLY



<b>Part No.</b>	<b>Reference No.</b>	<b>Quantity</b>	<b>Description</b>
BOX04499	1	1	BOX; ELECTRIC ASSY
BRD05242	2	1	BOARD; TERMINAL
TRR02727	3	1	TRANSFORMER;
BRD07898	4	1	BOARD; MAIN
BRD07896	5	1	BOARD; TERMINAL
BRD07897	6	1	BOARD; TERMINAL
COV06189	7	1	COVER; ELECTRIC BOX
PLT07332	8	1	PLATE; LEFT SIDE SUB ASSY
TOL05779	9	1	TOOL; AIR SCROLL
BRD07899	10	1	BOARD; TOP COVER SUB ASSY
PLT07333	11	1	PLATE; BOTTOM COVER
PLT07334	12	1	PLATE; BOTTOM COVER 2
PLT07335	13	1	PLATE; REAR SIDE SUB ASSY
PLT07336	14	1	PLATE; WATER TRAY
PLT07337	15	1	PLATE; RIGHT SIDE SUB ASSY

Part No.	Reference No.	Quantity	Description
0000032077~P	*		EVAPORATOR & FAN ASSEMBLY



<b>Part No.</b>	<b>Reference No.</b>	<b>Quantity</b>	<b>Description</b>
HUS04449	1	1	HOUSING; CENTRIFUGAL FAN
MOT20669	2	1	MOTOR; BRUSHLESS DC
FAN06637	3	1	FAN; CENTRIFUGAL ASSY
VAL20479	4	1	VALVE; THERMAL EXPANSION
EVP02932	5	1	EVAPORATOR; ASSY
VAL09988	6	1	VALVE; CUT-OFF VALVE
SRA01107	7	3	STRAINER;
VAL20478	8	1	VALVE; CUTOFF
FLR09431	9	1	FILTER; SUB ASSY
PLU01387	10	8	PLUG; CHOKE

Part No.	Reference No.	Quantity	Description
0000032067~P	*		MODEL NUMBER DESCRIPTION

**MODEL NUMBER DESCRIPTION**

75015273

REV  
A

Ductless Cold Climate Heat Pump

*Example Model Number:*  
**4 M X A 2 0 2 4 A 1 0 N U A A**  
1 - - - - 5 - - - - 10 - - - - 15

**Digit 1 Refrigerant**

4 = R-410A

**Digit 2 Unit Type**

M = Indoor Unit

**Digit 3 Functional Type**

X = Heat Pump Inverter  
Y = Cooling Only Inverter

**Digit 4 Configuration Indoor Unit**

A = Multi Position Air Handler

**Digits 5-6 Model Series**

20 = 20 Series

**Digits 7-8 Nominal Capacity(Btu/h x 1000)**

24 = 24,000Btu/h  
36 = 36,000Btu/h  
48 = 48,000Btu/h  
60 = 60,000Btu/h

**Digit 9 Major Development Sequence**

A = Major Development Sequence

**Digit 10 Electric Power Supply Characteristics**

1 = 208-230/60/1

**Digit 11 Reserved for Future Use**

0 = Not Currently Used

**Digit 12 Regional Markets Served(1:1 Systems)**

N = North America Market

**Digit 13 Reserved for Future Use**

0 = Not Currently Used  
U = Ultra Low Ambient

**Digit 14 Minor Design Sequence**

A = Minor Design Sequence

**Digit 15 Service Digit**

A = Service Digit Sequence

