

Parts List Number :0000159464

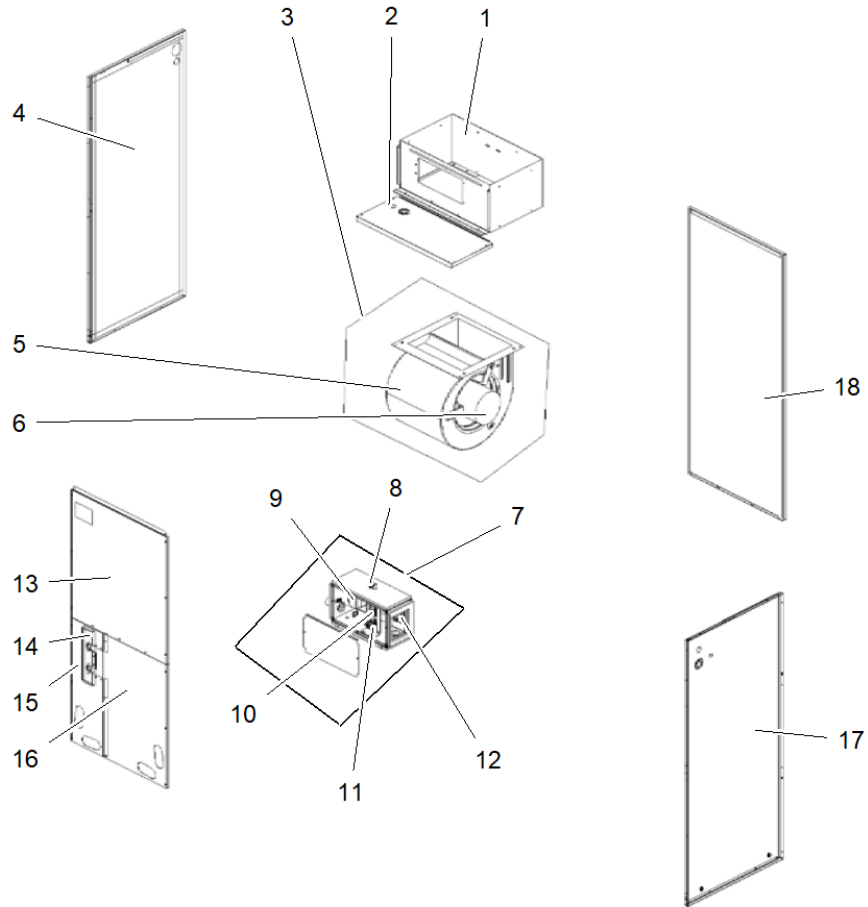
Model Number :4MXA2036A10NUAA

Part No.	Reference No.	Quantity	Description
0000159488~S	*		CABINET & ELECTRIC BOX ASSEMBLY
0000159487~S	*		EVAPORATOR & WATER TRAY ASSEMBLY
0000159484~S	*		MODEL NUMBER DESCRIPTION

Parts List Number :0000159464

Model Number :4MXA2036A10NUAA

Part No.	Reference No.	Quantity	Description
0000032072~P	*		CABINET & ELECTRIC BOX ASSEMBLY

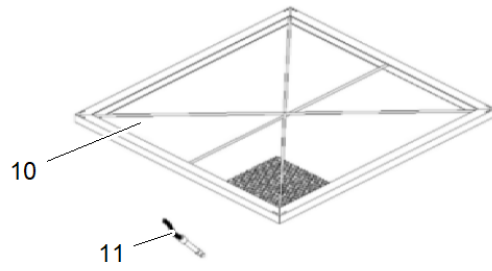
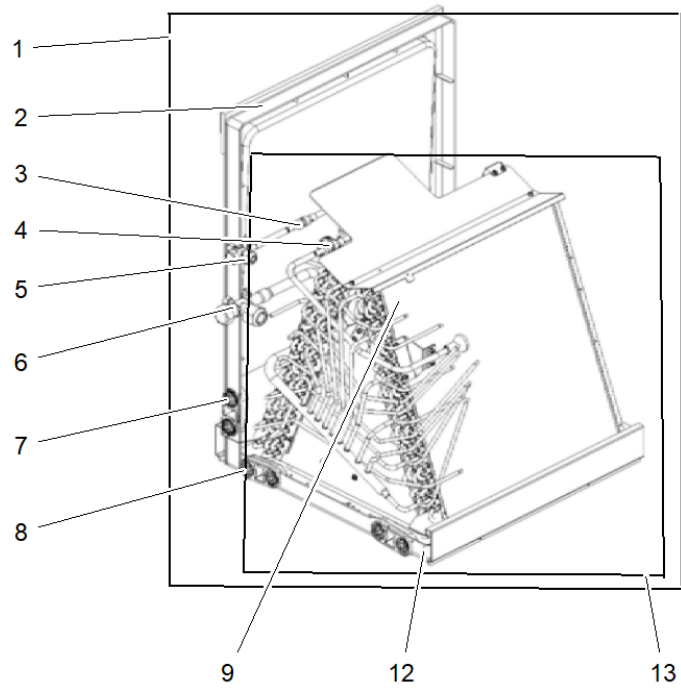


Part No.	Reference No.	Quantity	Description
PLT07319	1	1	PLATE; SIDE
COV06187	2	1	COVER; TOP SUB ASSY
FAN06636	3	1	FAN; CENTRIFUGAL ASSY
MOT20668	4	1	MOTOR; BRUSHLESS DC
HUS04448	5	1	HOUSING; CENTRIFUGAL FAN
PLT07320	6	1	PLATE; LEFT SIDE ASSY
BOX04499	7	1	BOX; ELECTRIC ASSY
BRD05242	8	1	BOARD; TERMINAL
TRR02727	9	1	TRANSFORMER;
BRD07896	10	1	BOARD; TERMINAL
BRD07897	11	1	BOARD; TERMINAL
BRD07898	12	1	BOARD; MAIN
COV06188	13	1	COVER; TOP BOARD SUB ASSY
PLT07326	14	1	PLATE; BOTTOM COVER ASSY
PLT07327	15	1	PLATE; BOTTOM COVER ASSY
PLT07328	16	1	PLATE; BOTTOM COVER 2
PLT07330	17	1	PLATE; RIGHT SIDE
PLT07331	18	1	PLATE; REAR SIDE SUB ASSY

Parts List Number :0000159464

Model Number :4MXA2036A10NUAA

Part No.	Reference No.	Quantity	Description
0000032071~P	*		EVAPORATOR & WATER TRAY ASSEMBLY



Part No.	Reference No.	Quantity	Description
PLT07321	1	1	PLATE; WATER TRAY ASSY
PLT07325	2	1	PLATE; WATER TRAY
VAL20478	3	1	VALVE; CUTOFF
SRA01107	4	2	STRAINER;
VAL09988	5	1	VALVE; CUT-OFF VALVE
VAL20477	6	1	VALVE; THERMAL EXPANSION
PLU01387	7	8	PLUG; CHOKE
EVP02929	8	1	EVAPORATOR; SUB ASSY LEFT
EVP02930	9	1	EVAPORATOR; SUB ASSY RIGHT
FLR09430	10	1	FILTER; SUB ASSY
SEN02406	11	1	SENSOR; TEMPERATURE
EVP02931	12	1	EVAPORATOR; ASSY
PLT07329	13	1	PLATE; WATER TRAY

Part No.	Reference No.	Quantity	Description
0000032067~P	*		MODEL NUMBER DESCRIPTION

MODEL NUMBER DESCRIPTION

75015273

REV
A

Ductless Cold Climate Heat Pump

Example Model Number:
4 M X A 2 0 2 4 A 1 0 N U A A
1 - - - - 5 - - - - 10 - - - - 15

Digit 1 Refrigerant

4 = R-410A

Digit 2 Unit Type

M = Indoor Unit

Digit 3 Functional Type

X = Heat Pump Inverter
Y = Cooling Only Inverter

Digit 4 Configuration Indoor Unit

A = Multi Position Air Handler

Digits 5-6 Model Series

20 = 20 Series

Digits 7-8 Nominal Capacity(Btu/h x 1000)

24 = 24,000Btu/h
36 = 36,000Btu/h
48 = 48,000Btu/h
60 = 60,000Btu/h

Digit 9 Major Development Sequence

A = Major Development Sequence

Digit 10 Electric Power Supply Characteristics

1 = 208-230/60/1

Digit 11 Reserved for Future Use

0 = Not Currently Used

Digit 12 Regional Markets Served(1:1 Systems)

N = North America Market

Digit 13 Reserved for Future Use

0 = Not Currently Used
U = Ultra Low Ambient

Digit 14 Minor Design Sequence

A = Minor Design Sequence

Digit 15 Service Digit

A = Service Digit Sequence

