

<b>Part No.</b>	<b>Reference No.</b>	<b>Quantity</b>	<b>Description</b>
4MUWUP1_4MUWUP1_299955~ P	*		4MUWUP1 PARTS LIST
75012347#4MUWUP1~S	*		CABINET ASSEMBLY
75012349#4MUWUP1~S	*		CONTROL ASSEMBLY
75012348#4MUWUP1~S	*		EVAPORATOR COIL ASSEMBLY
75012359#4MUWUP1~S	*		MODEL NOMENCLATURE

NO GRAPHIC AVAILABLE

75013702

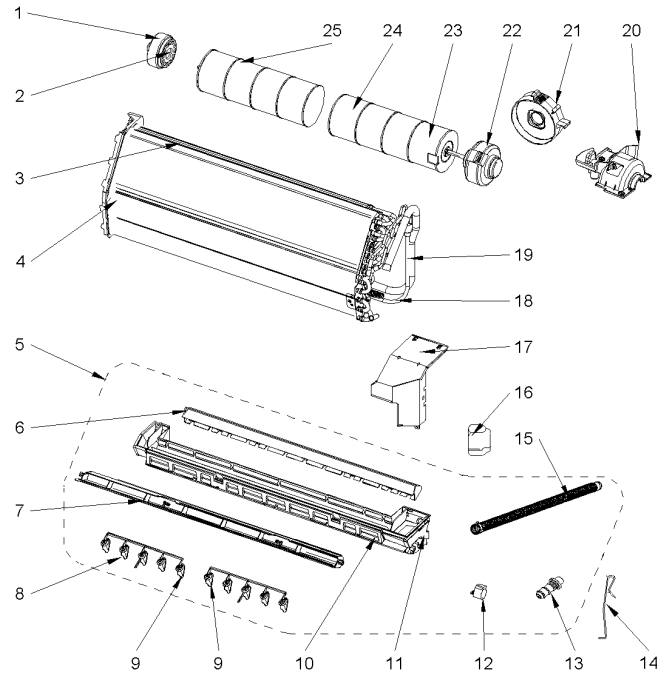
REV  
A

**NO  
GRAPHIC  
AVAILABLE**

EVAPORATOR COIL ASSEMBLY

75012348

REV.  
A



All orderable Service Parts are identified for this product.

Parts that are not identified, will not be available to order.

This is a typical illustration. The unit in the field may not appear exactly as shown.

Parts List Number :4MUWUP1#4MUWUP1

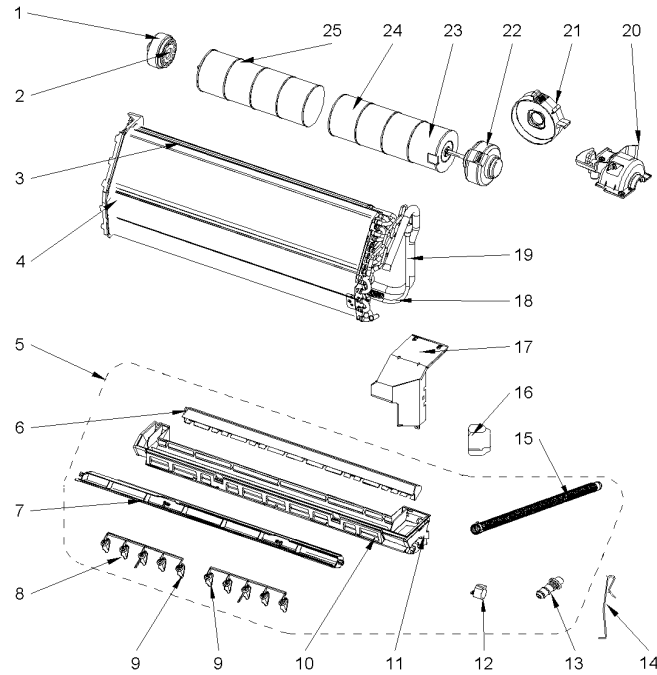
Model Number :4MUW4530A10N0AA

Part No.	Reference No.	Quantity	Description
75012348_4MUWUP1_332658~P	*		EVAPORATOR COIL ASSEMBLY PARTS LIST

EVAPORATOR COIL ASSEMBLY

75012348

REV.  
A



All orderable Service Parts are identified for this product.

Parts that are not identified, will not be available to order.

This is a typical illustration. The unit in the field may not appear exactly as shown.

Part No.	Reference No.	Quantity	Description
BRG02014	1	1	BEARING; ASSY-RUBBERK, WW-PJT, CR, BLK SSEC
BRG02016	2	1	BEARING; ASSY, G1-PJT, SSEC
COL28210	3	1	COIL; EVAP ASSY
BRK04971	4	1	BRACKET; EVAP
PAN04098	5	1	PAN; DRAIN ASSY
SEL01344	6	1	SEAL; DRAIN TRAY
BLD01344	7	1	BLADE; H BLADE
BLD01342	8	10	BLADE; V-B BLADE
BLD01343	9	2	BLADE; V-A BLADE
PAN04110	10	2	PAN; DRAIN TRAY
PAN04111	11	1	PAN; DRAIN TRAY
MOT18376	12	1	MOTOR; STEP
CAP01361	13	1	CAP; RUBBER DRAIN CAP
SPG01143	14	2	SPRING; SENSOR
HSE01930	15	1	HOSE; DRAIN ASSY, VIVALDI-PJT, SSEC
NUT01313	16	1	NUT; ETC
PNL35330	17	1	PANEL; CONTROL COVER
TUB14756	18	1	TUBE; EVAP IN ASSY
TUB14757	19	1	TUBE; EVAP OUT ASSY
BRK04940	20	1	BRACKET; MTR
BRK04943	21	1	BRACKET; FAN HOLDER ASSY
MOT18380	22	1	MOTOR; FAN
FAN06023	23	1	FAN; BLOWER FAN ASSY
FAN06010	24	1	FAN; CROSS ASSY
FAN06011	25	1	FAN; CROSS ASSY

MODEL NUMBER DESCRIPTION

75012359

REV.  
A

**4MUW4 5 18A 10N0AA**

1 - - - - 5 - - - - 10 - - - - 15

**Digit 1 – Refrigerant**

4 = R410

**Digit 2 – Brand Name**

M = Mini-split indoor unit

**Digit 3 – System Type**

U = Universal match heat pump

**Digit 4 – Configuration Type**

W = High-wall Type

**Digit 5 – Family**

4 = Standard Model

**Digit 6 – Series Number**

5 = Standard Model

**Digit 7,8 – Nominal Capacity(Btu/h x 1,000)**

12 = 12000 Btu/h

18 = 18000 Btu/h

24 = 24000 Btu/h

30 = 30000 Btu/h

36 = 36000 Btu/h

**Digit 9 – Major Development Sequence**

A = First Development Sequence

**Digit 10 – Electric Power Supply Characteristics**

1 = 208-230/60/1

**Digit 11 – Reserved For Future Use**

0 = Not Currently Used

**Digit 12 – Region Of Sale**

N = North America(UL or ETL)

**Digit 13 – Reserved For Future Use**

0 = Not Currently Used

**Digit 14 – Minor Design Sequence**

A = First Design Sequence

**Digit 15 – Service Digit (Not Used For Ordering)**

A = First Sequence

MODEL NOMENCLATURE

Parts List Number :4MUWUP1#4MUWUP1

Model Number :4MUW4530A10N0AA

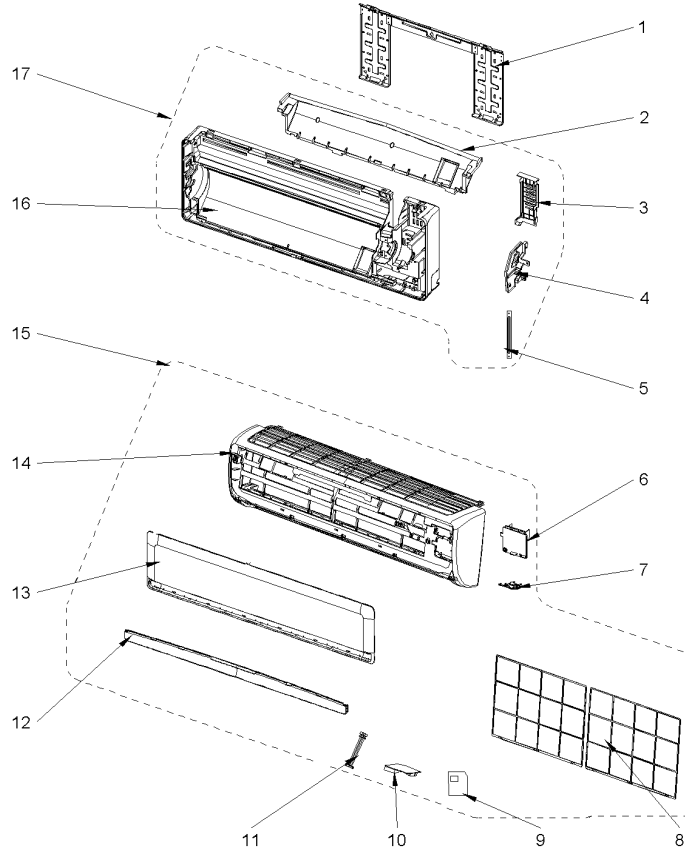
Part No.	Reference No.	Quantity	Description
75012359_4MUWUP1_299959~P	*		MODEL NOMENCLATURE PARTS LIST

MODEL NUMBER DESCRIPTION	75012359	REV. A
<b>4MUW4 5 18A 10N0AA</b> <small>1 - - - - 5 - - - - 10 - - - - 15</small>		
<b>Digit 1 – Refrigerant</b> 4 = R410		
<b>Digit 2 – Brand Name</b> M = Mini-split indoor unit		
<b>Digit 3 – System Type</b> U = Universal match heat pump		
<b>Digit 4 – Configuration Type</b> W = High-wall Type		
<b>Digit 5 – Family</b> 4 = Standard Model		
<b>Digit 6 – Series Number</b> 5 = Standard Model		
<b>Digit 7,8 – Nominal Capacity(Btu/h x 1,000)</b> 12 = 12000 Btu/h 18 = 18000 Btu/h 24 = 24000 Btu/h 30 = 30000 Btu/h 36 = 36000 Btu/h		
<b>Digit 9 – Major Development Sequence</b> A = First Development Sequence		
<b>Digit 10 – Electric Power Supply Characteristics</b> 1 = 208-230/60/1		
<b>Digit 11 – Reserved For Future Use</b> 0 = Not Currently Used		
<b>Digit 12 – Region Of Sale</b> N = North America(UL or ETL)		
<b>Digit 13 – Reserved For Future Use</b> 0 = Not Currently Used		
<b>Digit 14 – Minor Design Sequence</b> A = First Design Sequence		
<b>Digit 15 – Service Digit (Not Used For Ordering)</b> A = First Sequence		

CABINET ASSEMBLY

75012347

REV  
A



All orderable Service Parts are identified for this product.

Parts that are not identified, will not be available to order.

This is a typical illustration. The unit in the field may not appear exactly as shown.

Parts List Number :4MUWUP1#4MUWUP1

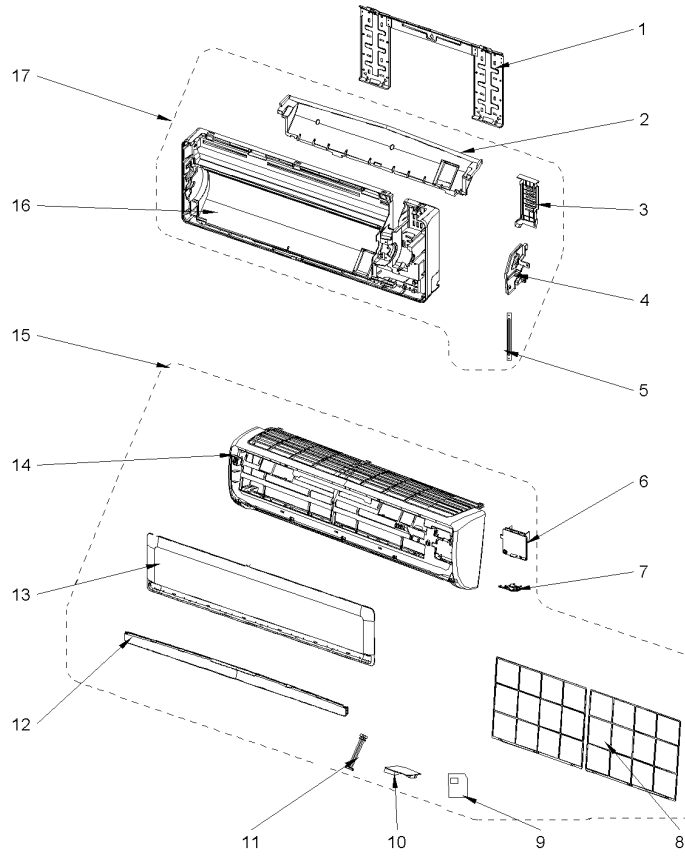
Model Number :4MUW4530A10N0AA

Part No.	Reference No.	Quantity	Description
75012347_4MUWUP1_332657~P	*		CABINET ASSEMBLY PARTS LIST

CABINET ASSEMBLY

75012347

REV.  
A



All orderable Service Parts are identified for this product.

Parts that are not identified, will not be available to order.

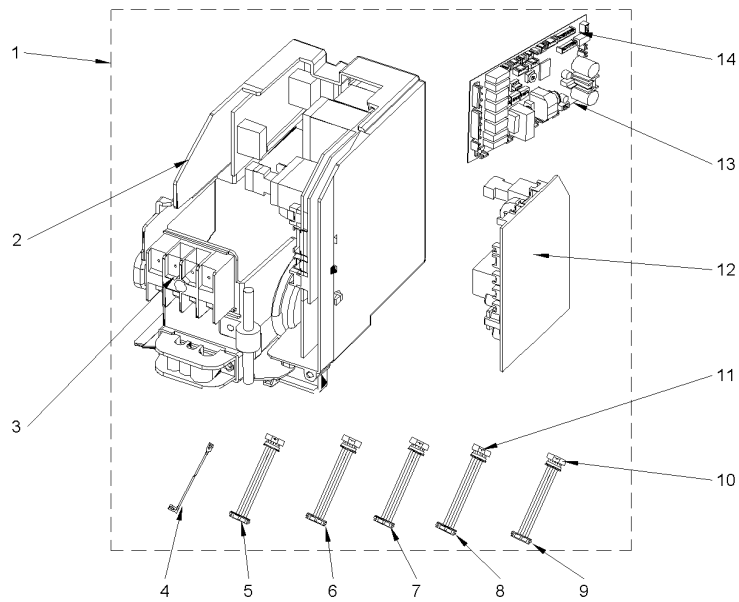
This is a typical illustration. The unit in the field may not appear exactly as shown.

<b>Part No.</b>	<b>Reference No.</b>	<b>Quantity</b>	<b>Description</b>
BRK04944	1	1	BRACKET; HANGER ASSY
SEL01343	2	1	SEAL; BACK BODY
HLD00744	3	1	HOLDER; PIPE
SUP06292	4	1	SUPPORT; EVAP
HLD00745	5	1	HOLDER; BACK BODY
COV05431	6	1	COVER; PCB MAIN
COV05432	7	1	COVER; DISPLAY
FLR08681	8	2	FILTER; RETURN AIR
BRD06120	9	1	BOARD; PCB DISPLAY
PNL35328	10	1	PANEL; PCB MAIN
WIR08959	11	1	WIRE; DISPLAY
GRL02139	12	1	GRILLE; FRONT DECO
GRL02134	13	1	GRILLE; INLET
PNL35093	14	1	PANEL; FRONT
PNL35103	15	1	PANEL; FRONT ASSY
PNL35327	16	1	PANEL; BACK BODY ASSY
PNL35326	17	1	PANEL; BACK ASSY

CONTROL ASSEMBLY

75012349

REV.  
A



All orderable Service Parts are identified for this product.

Parts that are not identified, will not be available to order.

This is a typical illustration. The unit in the field may not appear exactly as shown.

Parts List Number :4MUWUP1#4MUWUP1

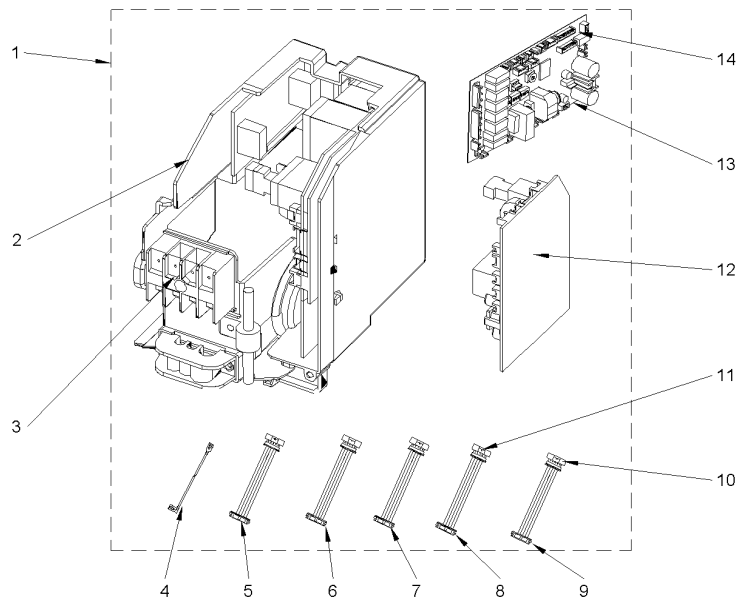
Model Number :4MUW4530A10N0AA

Part No.	Reference No.	Quantity	Description
75012349_4MUWUP1_332659~P	*		CONTROL ASSEMBLY PARTS LIST

CONTROL ASSEMBLY

75012349

REV.  
A



All orderable Service Parts are identified for this product.

Parts that are not identified, will not be available to order.

This is a typical illustration. The unit in the field may not appear exactly as shown.

Part No.	Reference No.	Quantity	Description
KIT18213	1	1	KIT; CONTROLS
PNL35329	2	1	PANEL; CONTROL IN
BLK01425	3	1	BLOCK; TERMINAL, 4P, PBT, 4-TAB, 4-SCREW, 300V
WIR08958	4	1	WIRE; POWER
WIR08964	5	1	WIRE; MOTOR
WIR07727	6	1	WIRE; ASSEMBLY CONNECTOR, DC SIGNAL
WIR08960	7	1	WIRE; DC POWER
WIR08967	8	1	WIRE; DC POWER
WIR08963	9	1	WIRE; COMM
SEN02168	10	1	SENSOR; ASSY THERMISTOR IN, DVM NASA RAC/M4W_KO/C
SEN02165	11	1	THERMISTOR; RETURN AIR
BRD04831	12	1	BOARD; PCB ASSY, SUB, COMM, DVM NASA_RAC, 58*40, N
BRD06131	13	1	BOARD; PCB MAIN
BRD06140	14	1	BOARD; PCB MAIN SUB ASSY