

Part No.	Reference No.	Quantity	Description
4MUWUP1_4MUWUP1_299955~ P	*		4MUWUP1 PARTS LIST
75012341#4MUWUP1~S	*		CABINET ASSEMBLY
75012343#4MUWUP1~S	*		CONTROL ASSEMBLY
75012340#4MUWUP1~S	*		EVAPORATOR COIL ASSEMBLY
75012359#4MUWUP1~S	*		MODEL NOMENCLATURE

NO GRAPHIC AVAILABLE

75013702

REV
A

**NO
GRAPHIC
AVAILABLE**

MODEL NUMBER DESCRIPTION

75012359

REV.
A

4MUW4 5 18A 10N0AA

1 - - - - 5 - - - - 10 - - - - 15

Digit 1 – Refrigerant

4 = R410

Digit 2 – Brand Name

M = Mini-split indoor unit

Digit 3 – System Type

U = Universal match heat pump

Digit 4 – Configuration Type

W = High-wall Type

Digit 5 – Family

4 = Standard Model

Digit 6 – Series Number

5 = Standard Model

Digit 7,8 – Nominal Capacity(Btu/h x 1,000)

12 = 12000 Btu/h

18 = 18000 Btu/h

24 = 24000 Btu/h

30 = 30000 Btu/h

36 = 36000 Btu/h

Digit 9 – Major Development Sequence

A = First Development Sequence

Digit 10 – Electric Power Supply Characteristics

1 = 208-230/60/1

Digit 11 – Reserved For Future Use

0 = Not Currently Used

Digit 12 – Region Of Sale

N = North America(UL or ETL)

Digit 13 – Reserved For Future Use

0 = Not Currently Used

Digit 14 – Minor Design Sequence

A = First Design Sequence

Digit 15 – Service Digit (Not Used For Ordering)

A = First Sequence

MODEL NOMENCLATURE

Parts List Number :4MUWUP1#4MUWUP1

Model Number :4MUW4524A10N0AA

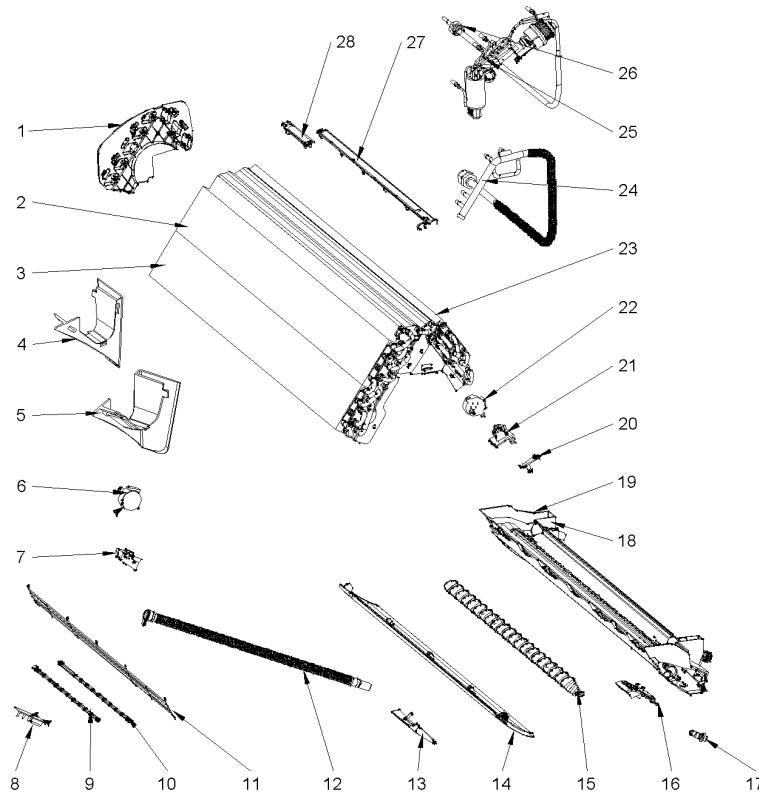
Part No.	Reference No.	Quantity	Description
75012359_4MUWUP1_299959~P	*		MODEL NOMENCLATURE PARTS LIST

MODEL NUMBER DESCRIPTION	75012359	REV. A
4MUW4 5 18A 10N0AA <small>1 - - - - 5 - - - - 10 - - - - 15</small>		
Digit 1 – Refrigerant 4 = R410		
Digit 2 – Brand Name M = Mini-split indoor unit		
Digit 3 – System Type U = Universal match heat pump		
Digit 4 – Configuration Type W = High-wall Type		
Digit 5 – Family 4 = Standard Model		
Digit 6 – Series Number 5 = Standard Model		
Digit 7,8 – Nominal Capacity(Btu/h x 1,000) 12 = 12000 Btu/h 18 = 18000 Btu/h 24 = 24000 Btu/h 30 = 30000 Btu/h 36 = 36000 Btu/h		
Digit 9 – Major Development Sequence A = First Development Sequence		
Digit 10 – Electric Power Supply Characteristics 1 = 208-230/60/1		
Digit 11 – Reserved For Future Use 0 = Not Currently Used		
Digit 12 – Region Of Sale N = North America(UL or ETL)		
Digit 13 – Reserved For Future Use 0 = Not Currently Used		
Digit 14 – Minor Design Sequence A = First Design Sequence		
Digit 15 – Service Digit (Not Used For Ordering) A = First Sequence		

EVAPORATOR COIL ASSEMBLY

75012340

REV.
A



All orderable Service Parts are identified for this product.

Parts that are not identified, will not be available to order.

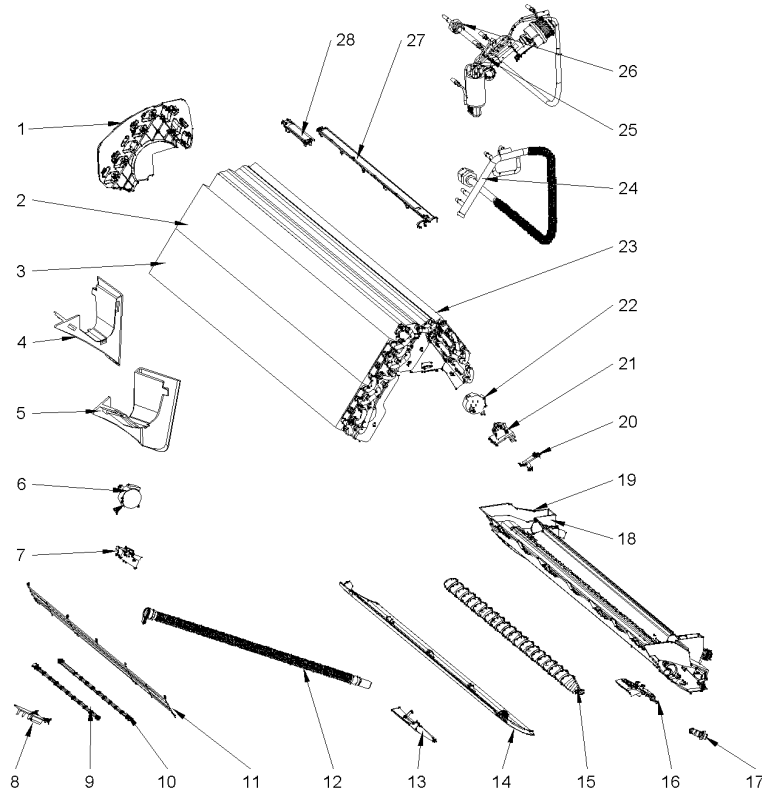
This is a typical illustration. The unit in the field may not appear exactly as shown.

Part No.	Reference No.	Quantity	Description
75012340_4MUWUP1_362959~P	*		EVAPORATOR COIL ASSEMBLY PARTS LIST

EVAPORATOR COIL ASSEMBLY

75012340

REV.
A



All orderable Service Parts are identified for this product.

Parts that are not identified, will not be available to order.

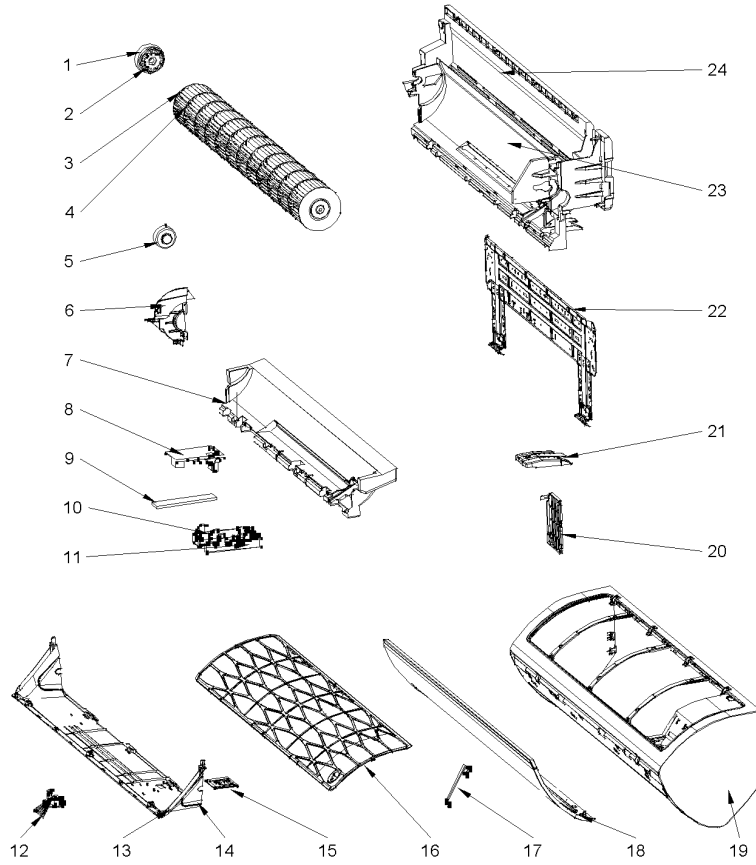
This is a typical illustration. The unit in the field may not appear exactly as shown.

Part No.	Reference No.	Quantity	Description
HLD00739	*	1	HOLDER; LED
SUP06291	1	1	SUPPORT; EVAP
COL28207	2	1	COIL; EVAP ASSY
COL28209	3	1	COIL; EVAP MAIN ASSY
BRK04969	4	1	BRACKET; GUIDE, RH
BRK04970	5	1	BRACKET; GUIDE, LH
MOT18376	6	2	MOTOR; STEP
BRD06118	7	1	BOARD; PCB DISPLAY
COV05419	8	1	COVER; PCB DISPLAY
LNK00565	9	1	LINKAGE; BLADE
LNK00564	10	1	LINKAGE; BLADE
GRD02019	11	1	GUARD; SCREEN
HSE01962	12	1	HOSE; DRAIN
COV05429	13	1	COVER; DISPLAY WINDOW
BLD01341	14	1	BLADE; H BLADE
BLD01339	15	2	BLADE; V BLADE
COV05420	16	1	COVER; DISPLAY
CAP01361	17	1	CAP; RUBBER DRAIN CAP
PAN04109	18	1	PAN; DRAIN TRAY
PAN04097	19	1	PAN; DRAIN ASSY
LNK00563	20	1	LINKAGE; BLADE
BRK04967	21	1	BRACKET; BLADE GUIDE
COL28208	23	1	COIL; EVAP SUB UPPER
TUB14755	24	1	TUBE; EVAP OUT ASSY
TUB14754	25	1	TUBE; EVAP IN ASSY
NUT01333	26	1	NUT; FASTENER-FLARE
COV05425	27	1	COVER; EVAP
COV05430	28	1	COVER; EVAP

CABINET ASSEMBLY

75012341

REV.
A



All orderable Service Parts are identified for this product.

Parts that are not identified, will not be available to order.

This is a typical illustration. The unit in the field may not appear exactly as shown.

Parts List Number :4MUWUP1#4MUWUP1

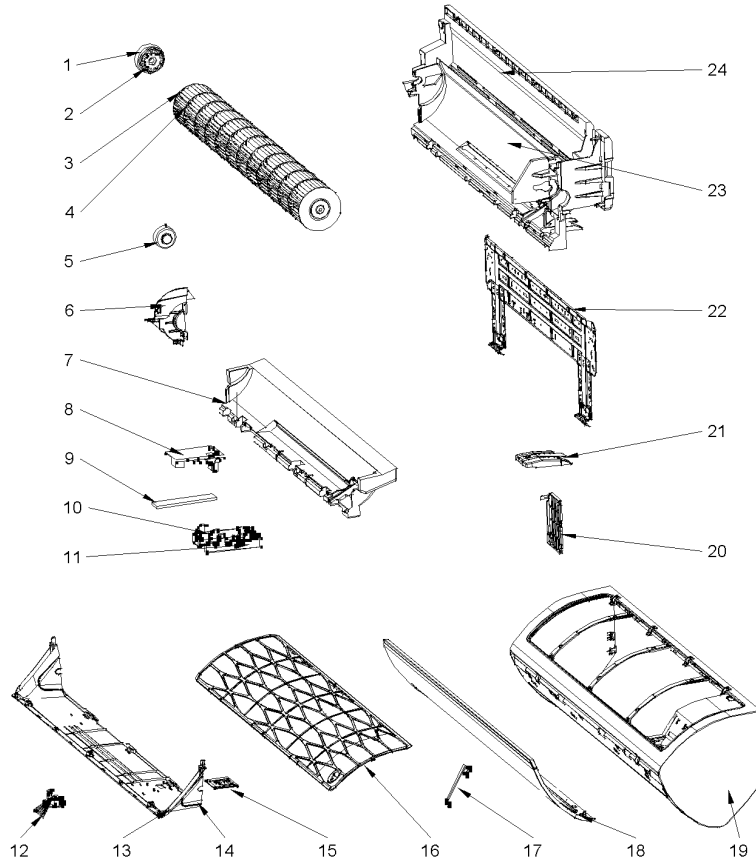
Model Number :4MUW4524A10N0AA

Part No.	Reference No.	Quantity	Description
75012341_4MUWUP1_362960~P	*		CABINET ASSEMBLY PARTS LIST

CABINET ASSEMBLY

75012341

REV.
A



All orderable Service Parts are identified for this product.

Parts that are not identified, will not be available to order.

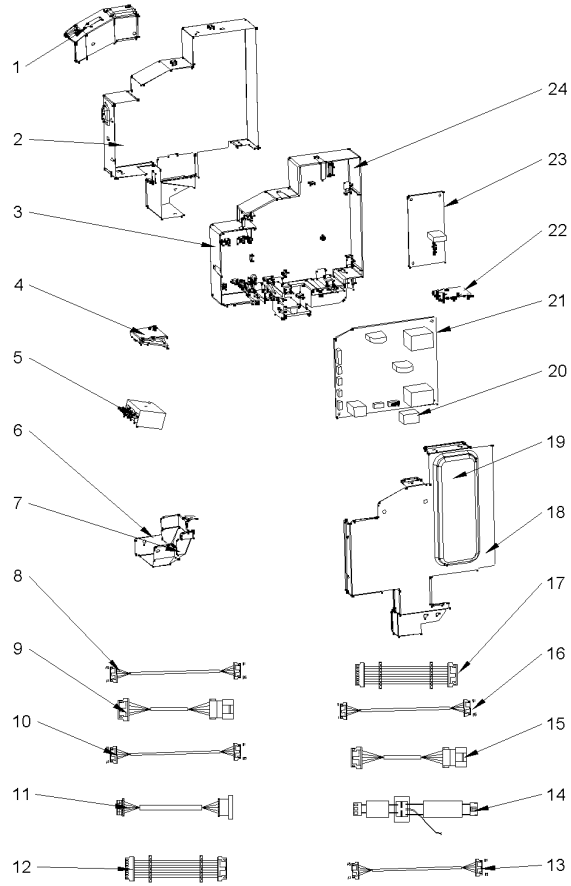
This is a typical illustration. The unit in the field may not appear exactly as shown.

Part No.	Reference No.	Quantity	Description
BRG02014	1	1	BEARING; ASSY-RUBBERK, WW-PJT, CR, BLK SSEC
BRG02016	2	1	BEARING; ASSY, G1-PJT, SSEC
FAN06012	3	1	FAN; CROSS ASSY
FAN06022	4	1	FAN; BLOWER FAN ASSY
MOT18381	5	1	MOTOR; FAN
BRK04941	6	1	BRACKET; MTR
SEL01342	7	1	SEAL; BACK BODY
WIR08961	8	1	WIRE; DC POWER
BRD06119	9	1	BOARD; PCB SUB
COV05417	10	1	COVER; PCB SUB ASSY
COV05416	11	2	COVER; PCB SUB ASSY
CAP01366	12	3	CAP; SCREW
PNL35092	13	1	PANEL; COVER
PNL35322	14	1	PANEL; FRONT COVER
SWT04109	15	1	SWITCH; POWER SAFETY
FLR08683	16	1	FILTER; RETURN AIR
SPG01143	17	1	SPRING; SENSOR
GRL02133	18	1	GRILLE; INLET
PNL35102	19	1	PANEL; FRONT ASSY
HLD00743	20	1	HOLDER; PIPE
HLD00742	21	1	HOLDER; BACK BODY
BRK04946	22	1	BRACKET; HANGER ASSY
PNL35320	23	1	PANEL; BACK BODY ASSY
PNL35321	24	1	PANEL; BACK BODY

CONTROL ASSEMBLY

75012343

REV.
A



All orderable Service Parts are identified for this product.

Parts that are not identified, will not be available to order.

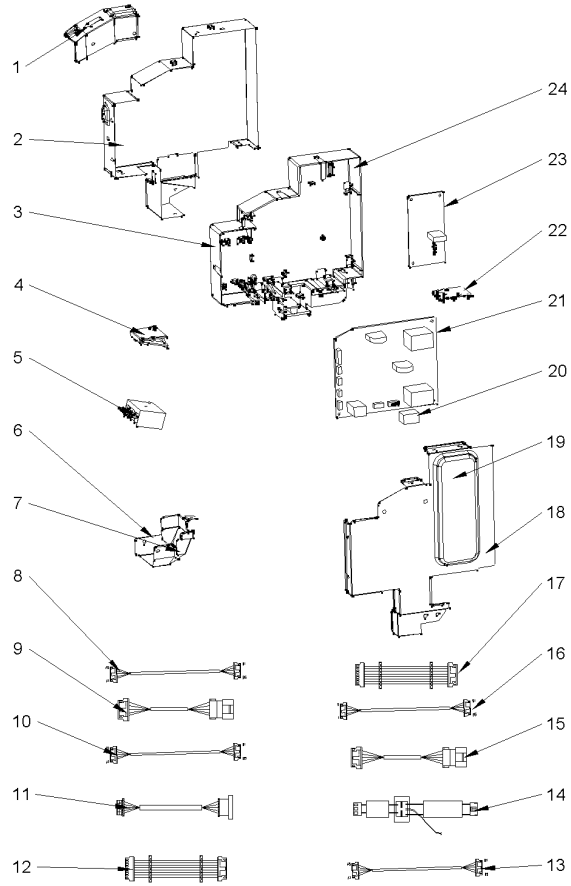
This is a typical illustration. The unit in the field may not appear exactly as shown.

Part No.	Reference No.	Quantity	Description
75012343_4MUWUP1_362961~P	*		CONTROL ASSEMBLY PARTS LIST

CONTROL ASSEMBLY

75012343

REV.
A



All orderable Service Parts are identified for this product.

Parts that are not identified, will not be available to order.

This is a typical illustration. The unit in the field may not appear exactly as shown.

Part No.	Reference No.	Quantity	Description
PNL35313	1	1	PANEL; CONTROL UP
PNL35325	2	1	PANEL; CONTROL IN LH
KIT18212	3	1	KIT; CONTROLS
SUP06290	4	1	SUPPORT; CONTROLS
BLK01425	5	1	BLOCK; TERMINAL, 4P, PBT, 4-TAB, 4-SCREW, 300V
PNL35318	6	1	PANEL; CONTROL MID
PLT06275	7	1	PLATE; CONTROL MID
WIR08968	8	1	WIRE; DC POWER
WIR08958	9	1	WIRE; POWER
WIR08422	10	1	WIRE; F1, F2 COMMUNICATION, (RED AND BLUE CN31)
WIR08957	11	1	WIRE; GROUND
WIR08966	12	1	WIRE; DC POWER
SEN02168	13	1	SENSOR; ASSY THERMISTOR IN, DVM NASA RAC/M4W_KO/C
SEN02164	14	1	SENSOR; ASSY THEMISTOR, DVM NASA SLIM DUCT, 103AT
WIR08962	15	1	WIRE; DC POWER
WIR08965	16	1	WIRE; DISPLAY
WIR07727	17	1	WIRE; ASSEMBLY CONNECTOR, DC SIGNAL
PNL35323	18	1	PANEL; CONTROL RH
COV05428	19	1	COVER; CONTROL PANEL
BRD06140	20	1	BOARD; PCB MAIN SUB ASSY
BRD06131	21	1	BOARD; PCB MAIN
PLT06273	22	1	PLATE; CONTROL SUB
BRD04831	23	1	BOARD; PCB ASSY, SUB, COMM, DVM NASA_RAC, 58*40, N
PNL35324	24	1	PANEL; CONTROL IN