

<b>Part No.</b>	<b>Reference No.</b>	<b>Quantity</b>	<b>Description</b>
4MUWUP1_4MUWUP1_299955~ P	*		4MUWUP1 PARTS LIST
75012344#4MUWUP1~S	*		CABINET ASSEMBLY
75012346#4MUWUP1~S	*		CONTROL ASSEMBLY
75012345#4MUWUP1~S	*		EVAPORATOR COIL ASSEMBLY
75012359#4MUWUP1~S	*		MODEL NOMENCLATURE

NO GRAPHIC AVAILABLE

75013702

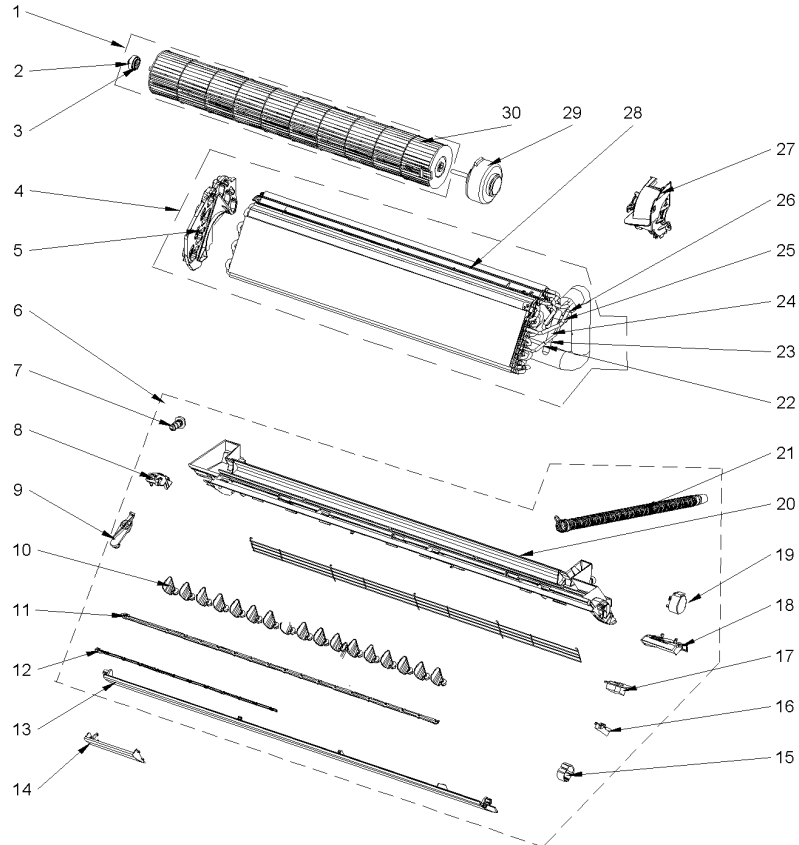
REV  
A

**NO  
GRAPHIC  
AVAILABLE**

EVAPORATOR COIL ASSEMBLY

75012345

REV.  
A



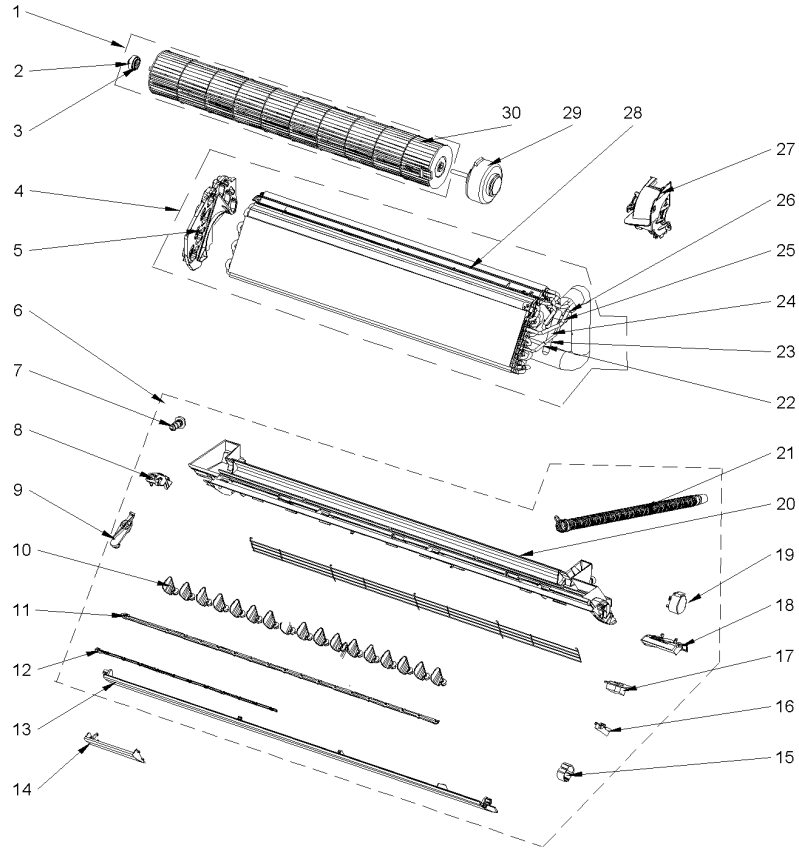
All orderable Service Parts are identified for this product.  
Parts that are not identified, will not be available to order.  
This is a typical illustration. The unit in the field may not appear exactly as shown.

Part No.	Reference No.	Quantity	Description
75012345_4MUWUP1_365373~P	*		EVAPORATOR COIL ASSEMBLY PARTS LIST

EVAPORATOR COIL ASSEMBLY

75012345

REV.  
A



All orderable Service Parts are identified for this product.  
Parts that are not identified, will not be available to order.  
This is a typical illustration. The unit in the field may not appear exactly as shown.

Part No.	Reference No.	Quantity	Description
SPG01143	*	2	SPRING; SENSOR
FAN06021	1	1	FAN; BLOWER FAN ASSY
BRG02014	2	1	BEARING; ASSY-RUBBERK, WW-PJT, CR, BLK SSEC
BRG02016	3	1	BEARING; ASSY, G1-PJT, SSEC
COL28206	4	1	COIL; EVAP ASSY
SUP06289	5	1	SUPPORT; EVAP
PAN04099	6	1	PAN; DRAIN ASSY
CAP01361	7	1	CAP; RUBBER DRAIN CAP
BRK04967	8	1	BRACKET; BLADE GUIDE
LNK00563	9	1	LINKAGE; BLADE
BLD01339	10	17	BLADE; V BLADE
LNK00562	12	1	LINKAGE; BLADE
BLD01340	13	1	BLADE; H BLADE
COV05424	14	1	COVER; DISPLAY WINDOW
COV05420	15	1	COVER; DISPLAY
HLD00739	16	1	HOLDER; LED
BRD06118	17	1	BOARD; PCB DISPLAY
BRK04968	18	1	BRACKET; BLADE OUT
MOT18376	19	1	MOTOR; STEP
PAN04108	20	1	PAN; DRAIN TRAY
HSE01962	21	1	HOSE; DRAIN
NUT01314	22	1	NUT; ETC
TUB14753	23	1	TUBE; EVAP OUT ASSY
NUT01333	25	1	NUT; FASTENER-FLARE
TUB14752	26	1	TUBE; EVAP IN ASSY
BRK04941	27	1	BRACKET; MTR
COV05425	28	1	COVER; EVAP
MOT18379	29	1	MOTOR; FAN
FAN06008	30	1	FAN; CROSS ASSY

MODEL NUMBER DESCRIPTION

75012359

REV.  
A

**4MUW4 5 18A 10N0AA**

1 - - - - 5 - - - - 10 - - - - 15

**Digit 1 – Refrigerant**

4 = R410

**Digit 2 – Brand Name**

M = Mini-split indoor unit

**Digit 3 – System Type**

U = Universal match heat pump

**Digit 4 – Configuration Type**

W = High-wall Type

**Digit 5 – Family**

4 = Standard Model

**Digit 6 – Series Number**

5 = Standard Model

**Digit 7,8 – Nominal Capacity(Btu/h x 1,000)**

12 = 12000 Btu/h

18 = 18000 Btu/h

24 = 24000 Btu/h

30 = 30000 Btu/h

36 = 36000 Btu/h

**Digit 9 – Major Development Sequence**

A = First Development Sequence

**Digit 10 – Electric Power Supply Characteristics**

1 = 208-230/60/1

**Digit 11 – Reserved For Future Use**

0 = Not Currently Used

**Digit 12 – Region Of Sale**

N = North America(UL or ETL)

**Digit 13 – Reserved For Future Use**

0 = Not Currently Used

**Digit 14 – Minor Design Sequence**

A = First Design Sequence

**Digit 15 – Service Digit (Not Used For Ordering)**

A = First Sequence

MODEL NOMENCLATURE

Parts List Number :4MUWUP1#4MUWUP1

Model Number :4MUW4518A10N0AA

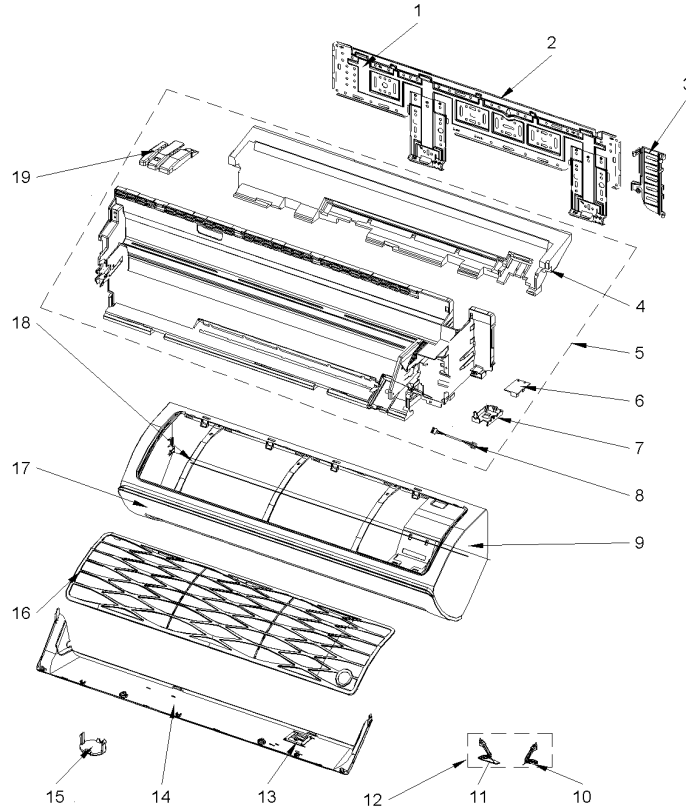
Part No.	Reference No.	Quantity	Description
75012359_4MUWUP1_299959~P	*		MODEL NOMENCLATURE PARTS LIST

MODEL NUMBER DESCRIPTION	75012359	REV. A
<b>4MUW4 5 18A 10N0AA</b> <small>1 - - - - 5 - - - - 10 - - - - 15</small>		
<b>Digit 1 – Refrigerant</b> 4 = R410		
<b>Digit 2 – Brand Name</b> M = Mini-split indoor unit		
<b>Digit 3 – System Type</b> U = Universal match heat pump		
<b>Digit 4 – Configuration Type</b> W = High-wall Type		
<b>Digit 5 – Family</b> 4 = Standard Model		
<b>Digit 6 – Series Number</b> 5 = Standard Model		
<b>Digit 7,8 – Nominal Capacity(Btu/h x 1,000)</b> 12 = 12000 Btu/h 18 = 18000 Btu/h 24 = 24000 Btu/h 30 = 30000 Btu/h 36 = 36000 Btu/h		
<b>Digit 9 – Major Development Sequence</b> A = First Development Sequence		
<b>Digit 10 – Electric Power Supply Characteristics</b> 1 = 208-230/60/1		
<b>Digit 11 – Reserved For Future Use</b> 0 = Not Currently Used		
<b>Digit 12 – Region Of Sale</b> N = North America(UL or ETL)		
<b>Digit 13 – Reserved For Future Use</b> 0 = Not Currently Used		
<b>Digit 14 – Minor Design Sequence</b> A = First Design Sequence		
<b>Digit 15 – Service Digit (Not Used For Ordering)</b> A = First Sequence		

CABINET ASSEMBLY

75012344

REV.  
A



All orderable Service Parts are identified for this product.

Parts that are not identified, will not be available to order.

This is a typical illustration. The unit in the field may not appear exactly as shown.

Parts List Number :4MUWUP1#4MUWUP1

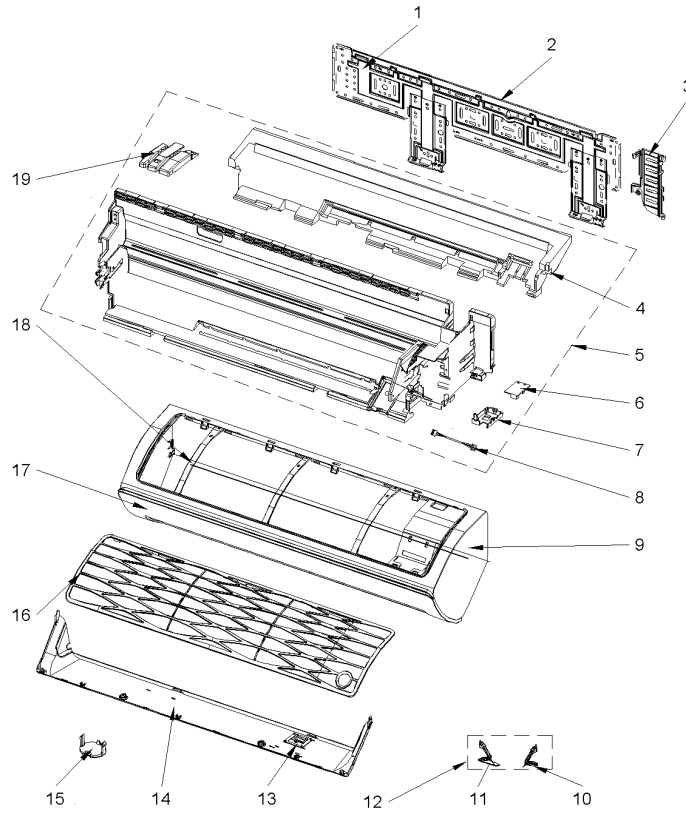
Model Number :4MUW4518A10N0AA

Part No.	Reference No.	Quantity	Description
75012344_4MUWUP1_365372~P	*		CABINET ASSEMBLY PARTS LIST

CABINET ASSEMBLY

75012344

REV.  
A



All orderable Service Parts are identified for this product.

Parts that are not identified, will not be available to order.

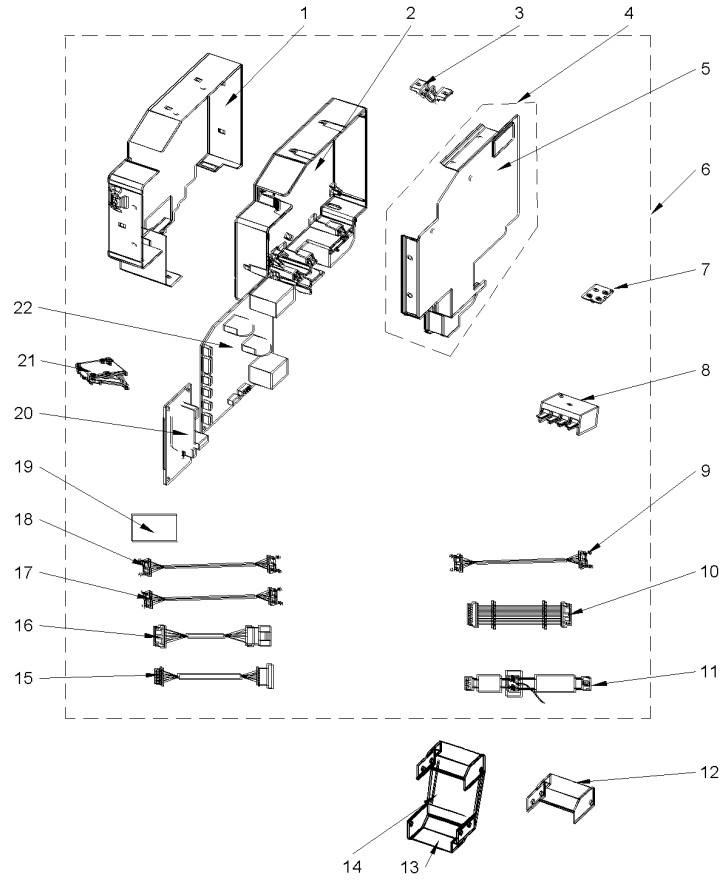
This is a typical illustration. The unit in the field may not appear exactly as shown.

<b>Part No.</b>	<b>Reference No.</b>	<b>Quantity</b>	<b>Description</b>
BRK04964	1	1	BRACKET; HANGER
BRK04945	2	1	BRACKET; HANGER ASSY
HLD00741	3	1	HOLDER; PIPE
SEL01341	4	1	SEAL; BACK BODY
PNL35316	5	1	PANEL; BACK BODY ASSY
BRD06119	6	1	BOARD; PCB SUB
COV05417	7	1	COVER; PCB SUB ASSY
WIR08961	8	1	WIRE; DC POWER
PNL35101	9	1	PANEL; FRONT ASSY
BRK04966	10	1	BRACKET; GUIDE, LH
BRK04965	11	1	BRACKET; GUIDE, RH
KIT18210	12	1	KIT; GUIDE ACCESSORIES
SWT04109	13	1	SWITCH; POWER SAFETY
PNL35091	14	1	PANEL; COVER
CAP01366	15	2	CAP; SCREW
FLR08682	16	1	FILTER; RETURN AIR
GRL02132	17	1	GRILLE; INLET
PNL35317	18	1	PANEL; FRONT
HLD00742	19	1	HOLDER; BACK BODY

CONTROL ASSEMBLY

75012346

REV.  
A



All orderable Service Parts are identified for this product.

Parts that are not identified, will not be available to order.

This is a typical illustration. The unit in the field may not appear exactly as shown.

Parts List Number :4MUWUP1#4MUWUP1

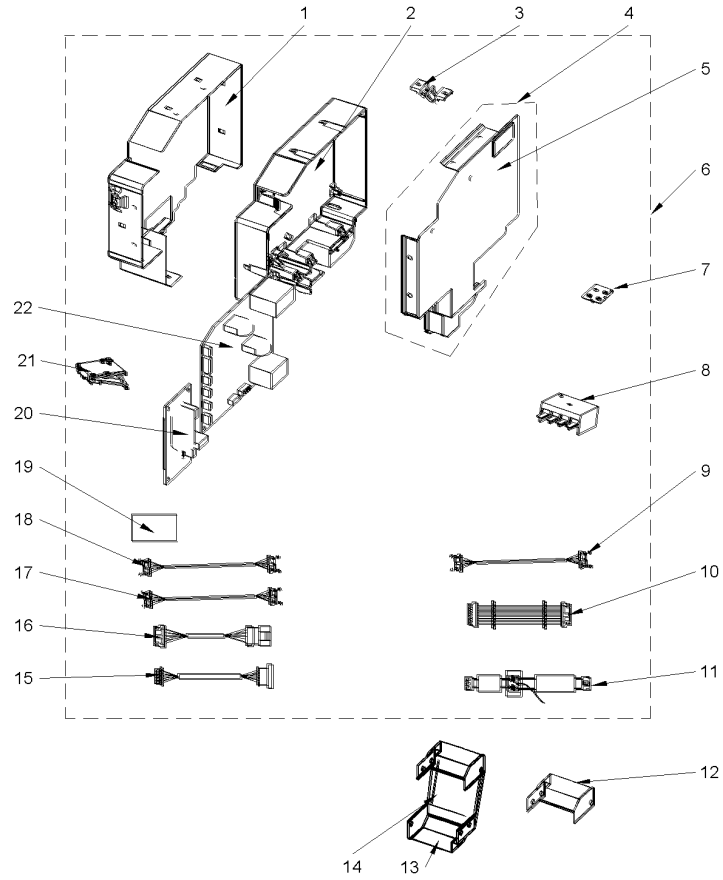
Model Number :4MUW4518A10N0AA

Part No.	Reference No.	Quantity	Description
75012346_4MUWUP1_365374~P	*		CONTROL ASSEMBLY PARTS LIST

CONTROL ASSEMBLY

75012346

REV.  
A



All orderable Service Parts are identified for this product.

Parts that are not identified, will not be available to order.

This is a typical illustration. The unit in the field may not appear exactly as shown.

Part No.	Reference No.	Quantity	Description
PNL35319	1	1	PANEL; CONTROL IN LH
PNL35314	2	1	PANEL; CONTROL IN
HLD00740	3	1	HOLDER; WIRE
COV05426	4	1	COVER; CONTROL PANEL
COV05427	5	1	COVER; CONTROL PANEL
KIT18211	6	1	KIT; CONTROLS
PLT06273	7	1	PLATE; CONTROL SUB
BLK01425	8	1	BLOCK; TERMINAL, 4P, PBT, 4-TAB, 4-SCREW, 300V
SEN02164	9	1	SENSOR; ASSY THERMISTOR, DVM NASA SLIM DUCT, 103AT
WIR08957	10	1	WIRE; GROUND
WIR08965	11	1	WIRE; DISPLAY
PNL35313	12	1	PANEL; CONTROL UP
PLT06275	13	1	PLATE; CONTROL MID
PNL35318	14	1	PANEL; CONTROL MID
SEN02168	15	1	SENSOR; ASSY THERMISTOR IN, DVM NASA RAC/M4W_KO/C
WIR07727	16	1	WIRE; ASSEMBLY CONNECTOR, DC SIGNAL
WIR08422	17	1	WIRE; F1, F2 COMMUNICATION, (RED AND BLUE CN31)
WIR08958	18	1	WIRE; POWER
BRD06140	19	1	BOARD; PCB MAIN SUB ASSY
BRD04831	20	1	BOARD; PCB ASSY, SUB, COMM, DVM NASA_RAC, 58*40, N
SUP06290	21	1	SUPPORT; CONTROLS
BRD06131	22	1	BOARD; PCB MAIN