

<b>Part No.</b>	<b>Reference No.</b>	<b>Quantity</b>	<b>Description</b>
4MUWUP1_4MUWUP1_299955~ P	*		4MUWUP1 PARTS LIST
75012341#4MUWUP1~S	*		CABINET ASSEMBLY
75012342#4MUWUP1~S	*		CONTROL ASSEMBLY
75012340#4MUWUP1~S	*		EVAPORATOR COIL ASSEMBLY
75012359#4MUWUP1~S	*		MODEL NOMENCLATURE

NO GRAPHIC AVAILABLE

75013702

REV  
A

**NO  
GRAPHIC  
AVAILABLE**

MODEL NUMBER DESCRIPTION

75012359

REV.  
A

**4MUW4 5 18A 10N0AA**

1 - - - - 5 - - - - 10 - - - - 15

**Digit 1 – Refrigerant**

4 = R410

**Digit 2 – Brand Name**

M = Mini-split indoor unit

**Digit 3 – System Type**

U = Universal match heat pump

**Digit 4 – Configuration Type**

W = High-wall Type

**Digit 5 – Family**

4 = Standard Model

**Digit 6 – Series Number**

5 = Standard Model

**Digit 7,8 – Nominal Capacity(Btu/h x 1,000)**

12 = 12000 Btu/h

18 = 18000 Btu/h

24 = 24000 Btu/h

30 = 30000 Btu/h

36 = 36000 Btu/h

**Digit 9 – Major Development Sequence**

A = First Development Sequence

**Digit 10 – Electric Power Supply Characteristics**

1 = 208-230/60/1

**Digit 11 – Reserved For Future Use**

0 = Not Currently Used

**Digit 12 – Region Of Sale**

N = North America(UL or ETL)

**Digit 13 – Reserved For Future Use**

0 = Not Currently Used

**Digit 14 – Minor Design Sequence**

A = First Design Sequence

**Digit 15 – Service Digit (Not Used For Ordering)**

A = First Sequence

MODEL NOMENCLATURE

Parts List Number :4MUWUP1#4MUWUP1

Model Number :4MUW4512A10N0AA

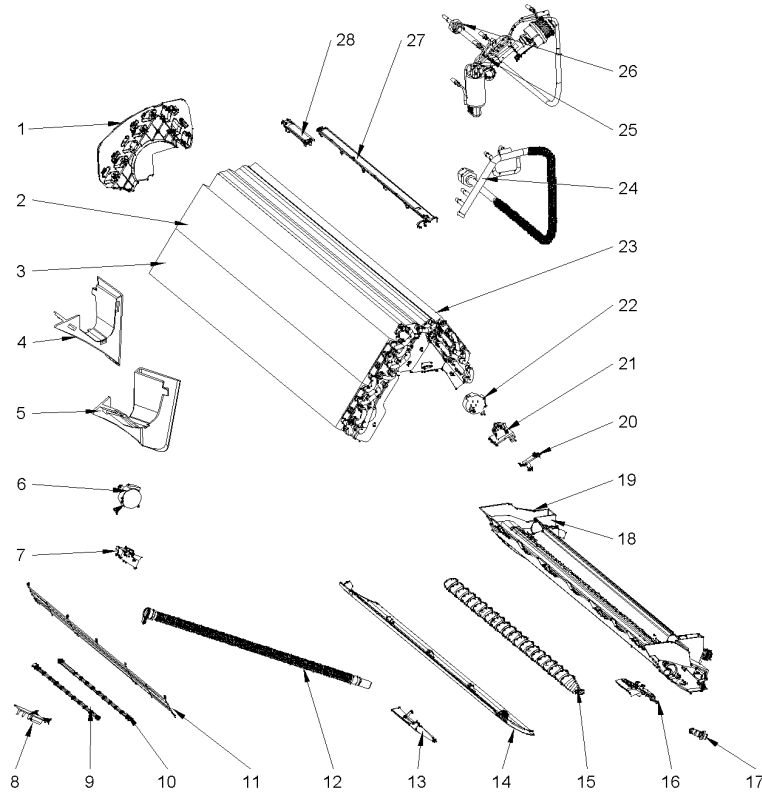
Part No.	Reference No.	Quantity	Description
75012359_4MUWUP1_299959~P	*		MODEL NOMENCLATURE PARTS LIST

MODEL NUMBER DESCRIPTION	75012359	REV. A
<b>4MUW4 5 18A 10N0AA</b> <small>1 - - - - 5 - - - - 10 - - - - 15</small>		
<b>Digit 1 – Refrigerant</b> 4 = R410		
<b>Digit 2 – Brand Name</b> M = Mini-split indoor unit		
<b>Digit 3 – System Type</b> U = Universal match heat pump		
<b>Digit 4 – Configuration Type</b> W = High-wall Type		
<b>Digit 5 – Family</b> 4 = Standard Model		
<b>Digit 6 – Series Number</b> 5 = Standard Model		
<b>Digit 7,8 – Nominal Capacity(Btu/h x 1,000)</b> 12 = 12000 Btu/h 18 = 18000 Btu/h 24 = 24000 Btu/h 30 = 30000 Btu/h 36 = 36000 Btu/h		
<b>Digit 9 – Major Development Sequence</b> A = First Development Sequence		
<b>Digit 10 – Electric Power Supply Characteristics</b> 1 = 208-230/60/1		
<b>Digit 11 – Reserved For Future Use</b> 0 = Not Currently Used		
<b>Digit 12 – Region Of Sale</b> N = North America(UL or ETL)		
<b>Digit 13 – Reserved For Future Use</b> 0 = Not Currently Used		
<b>Digit 14 – Minor Design Sequence</b> A = First Design Sequence		
<b>Digit 15 – Service Digit (Not Used For Ordering)</b> A = First Sequence		

EVAPORATOR COIL ASSEMBLY

75012340

REV.  
A



All orderable Service Parts are identified for this product.

Parts that are not identified, will not be available to order.

This is a typical illustration. The unit in the field may not appear exactly as shown.

Parts List Number :4MUWUP1#4MUWUP1

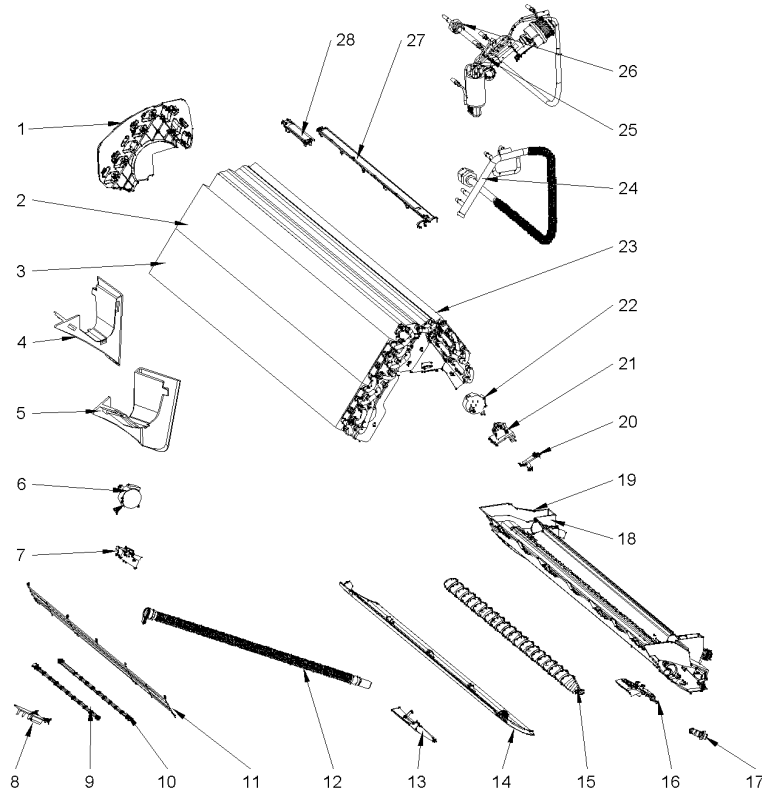
Model Number :4MUW4512A10N0AA

Part No.	Reference No.	Quantity	Description
75012340_4MUWUP1_299956~P	*		EVAPORATOR COIL ASSEMBLY PARTS LIST

EVAPORATOR COIL ASSEMBLY

75012340

REV.  
A



All orderable Service Parts are identified for this product.

Parts that are not identified, will not be available to order.

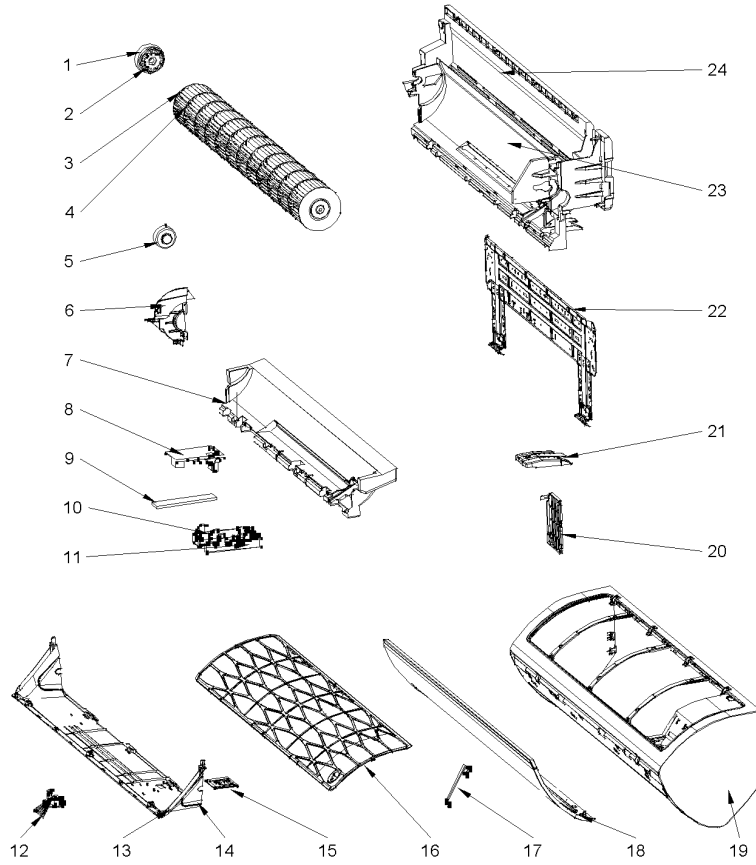
This is a typical illustration. The unit in the field may not appear exactly as shown.

Part No.	Reference No.	Quantity	Description
HLD00739	*	1	HOLDER; LED
NUT01313	*	1	NUT; ETC
SUP06288	1	1	SUPPORT; EVAP
COL28205	2	1	COIL; EVAP SUB ASSY
COL28204	3	1	COIL; EVAP MAIN ASSY
MOT18376	6	1	MOTOR; STEP
BRD06118	7	1	BOARD; PCB DISPLAY
COV05419	8	1	COVER; PCB DISPLAY
GRD02018	11	1	GUARD; SCREEN
HSE01962	12	1	HOSE; DRAIN
COV05418	13	1	COVER; DISPLAY WINDOW
BLD01337	14	1	BLADE; H BLADE
BLD01338	15	2	BLADE; V BLADE
COV05420	16	1	COVER; DISPLAY
CAP01361	17	1	CAP; RUBBER DRAIN CAP
PAN04107	18	1	PAN; DRAIN TRAY
PAN04096	19	1	PAN; DRAIN ASSY
COL28203	23	1	COIL; EVAP ASSY
TUB14750	24	1	TUBE; EVAP OUT ASSY
TUB14751	25	1	TUBE; EVAP IN ASSY
NUT01333	26	1	NUT; FASTENER-FLARE
COV05421	27	1	COVER; EVAP

CABINET ASSEMBLY

75012341

REV.  
A



All orderable Service Parts are identified for this product.

Parts that are not identified, will not be available to order.

This is a typical illustration. The unit in the field may not appear exactly as shown.

Parts List Number :4MUWUP1#4MUWUP1

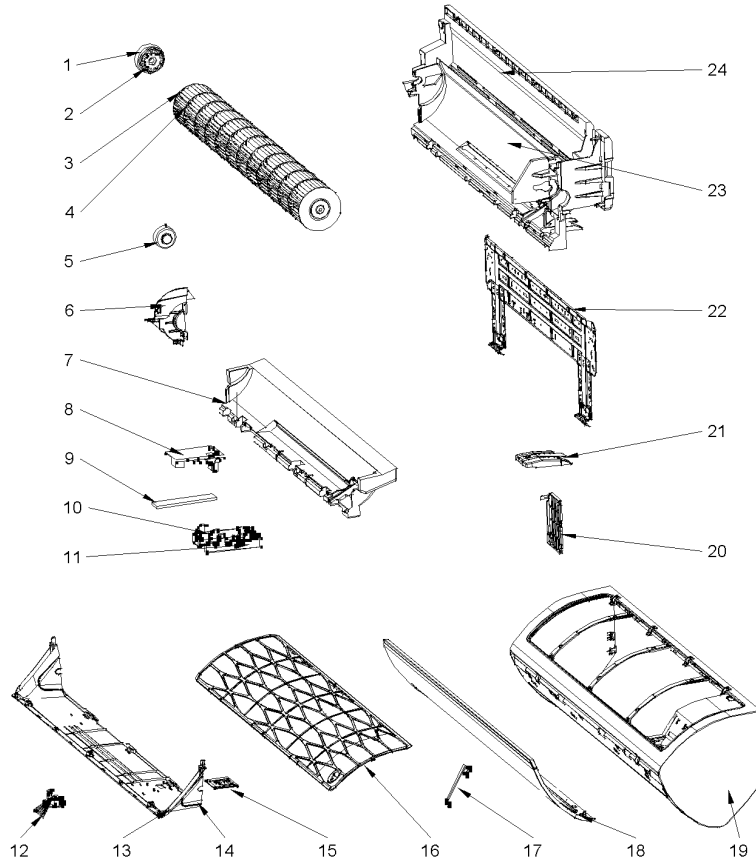
Model Number :4MUW4512A10N0AA

Part No.	Reference No.	Quantity	Description
75012341_4MUWUP1_299957~P	*		CABINET ASSEMBLY PARTS LIST

CABINET ASSEMBLY

75012341

REV.  
A



All orderable Service Parts are identified for this product.

Parts that are not identified, will not be available to order.

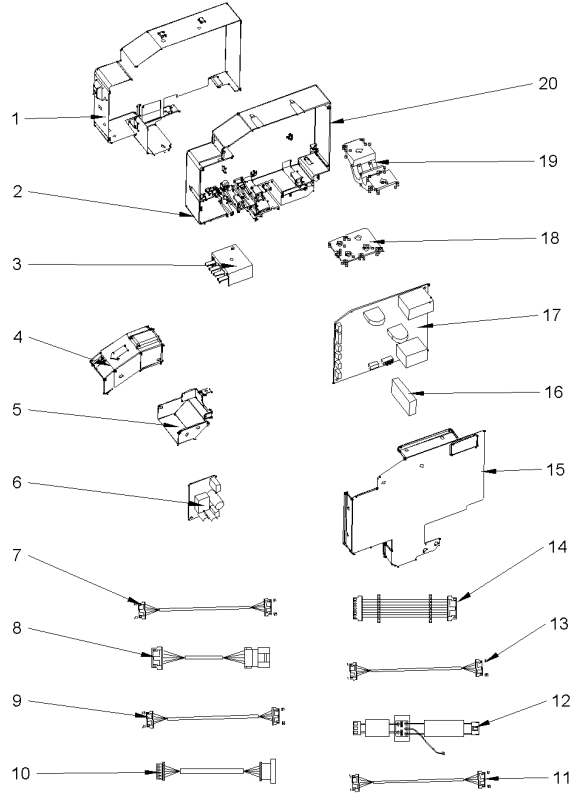
This is a typical illustration. The unit in the field may not appear exactly as shown.

Part No.	Reference No.	Quantity	Description
BRG02014	1	1	BEARING; ASSY-RUBBERK, WW-PJT, CR, BLK SSEC
BRG02016	2	1	BEARING; ASSY, G1-PJT, SSEC
FAN06009	3	1	FAN; CROSS ASSY
FAN06020	4	1	FAN; BLOWER FAN
MOT18379	5	1	MOTOR; FAN
BRK04939	6	1	BRACKET; MTR
SEL01340	7	1	SEAL; BACK BODY
WIR08961	8	1	WIRE; DC POWER
BRD06119	9	1	BOARD; PCB SUB
COV05417	10	1	COVER; PCB SUB ASSY
COV05416	11	2	COVER; PCB SUB ASSY
CAP01366	12	1	CAP; SCREW
PNL35090	13	2	PANEL; COVER
PNL35312	14	1	PANEL; FRONT COVER
SWT04109	15	1	SWITCH; POWER SAFETY
FLR08680	16	1	FILTER; RETURN AIR
SPG01139	17	1	SPRING; THERMISTOR CLIP, ETC-SENSOR, DVM-SYSTEM,STS304,R2.5
GRL02131	18	1	GRILLE; INLET
PNL35100	19	1	PANEL; FRONT ASSY
HLD00737	20	1	HOLDER; PIPE
HLD00738	21	1	HOLDER; BACK BODY
BRK04942	22	1	BRACKET; HANGER ASSY
PNL35311	23	1	PANEL; BACK BODY
PNL35310	24	1	PANEL; BACK BODY ASSY

CONTROL ASSEMBLY

75012342

REV.  
A



All orderable Service Parts are identified for this product.

Parts that are not identified, will not be available to order.

This is a typical illustration. The unit in the field may not appear exactly as shown.

Parts List Number :4MUWUP1#4MUWUP1

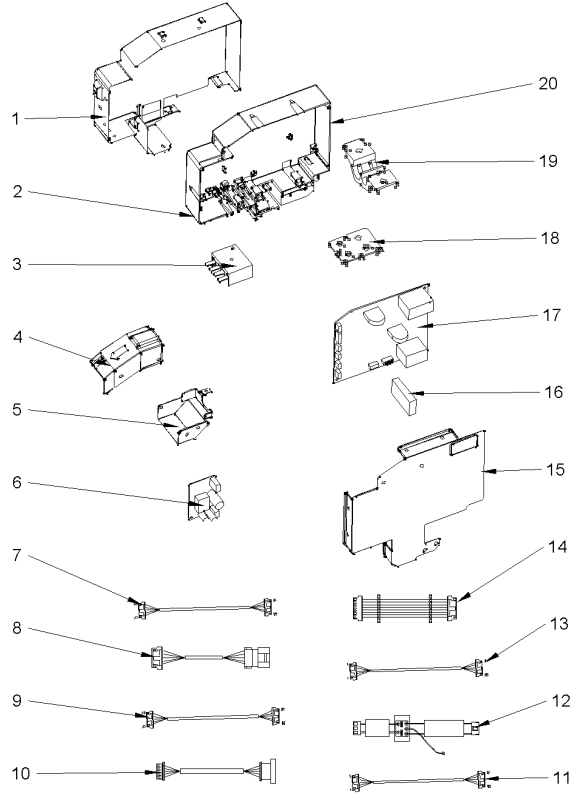
Model Number :4MUW4512A10N0AA

Part No.	Reference No.	Quantity	Description
75012342_4MUWUP1_299958~P	*		CONTROL ASSEMBLY PARTS LIST

CONTROL ASSEMBLY

75012342

REV.  
A



All orderable Service Parts are identified for this product.

Parts that are not identified, will not be available to order.

This is a typical illustration. The unit in the field may not appear exactly as shown.

Part No.	Reference No.	Quantity	Description
PNL35315	1	1	PANEL; CONTROL IN LH
PNL35314	2	1	PANEL; CONTROL IN
BLK01425	3	1	BLOCK; TERMINAL, 4P, PBT, 4-TAB, 4-SCREW, 300V
PNL35313	4	1	PANEL; CONTROL UP
PLT06274	5	1	PLATE; CONTROL MID
BRD04831	6	1	BOARD; PCB ASSY, SUB, COMM, DVM NASA_RAC, 58*40, N
WIR08968	7	1	WIRE; DC POWER
WIR08958	8	1	WIRE; POWER
WIR08422	9	1	WIRE; F1, F2 COMMUNICATION, (RED AND BLUE CN31)
WIR08957	10	1	WIRE; GROUND
SEN02168	11	1	SENSOR; ASSY THERMISTOR IN, DVM NASA RAC/M4W_KO/C
SEN02164	12	1	SENSOR; ASSY THEMISTOR, DVM NASA SLIM DUCT, 103AT
WIR08965	13	1	WIRE; DISPLAY
WIR07727	14	1	WIRE; ASSEMBLY CONNECTOR, DC SIGNAL
COV05422	15	1	COVER; CONTROL PANEL
BRD06140	16	1	BOARD; PCB MAIN SUB ASSY
BRD06131	17	1	BOARD; PCB MAIN
PLT06273	18	1	PLATE; CONTROL SUB
HLD00740	19	1	HOLDER; WIRE
COV05423	20	1	COVER; CONTROL IN ASSY