

Part No.	Reference No.	Quantity	Description
4MUMUP1_4MUMUP1_237724-P	*		4MUMUP1 PARTS LIST
75012368#4MUMUP1-S	*		CABINET AND BLOWERASSEMBLY
75012369#4MUMUP1-S	*		CONTROL ASSEMBLY
75012370#4MUMUP1-S	*		MODEL NUMBER DESCRIPTION

NO GRAPHIC AVAILABLE

75013702

REV
A

**NO
GRAPHIC
AVAILABLE**

MODEL NUMBER DESCRIPTION

75012370

REV.
A

Example Model Number:

4MUM4518B10N0AA
1 - - - - 5 - - - - 10 - - - - 15

Digit 1 – Refrigerant

4 = R410A

Digit 2 – Brand Name

M = Mini-Split Indoor Unit

Digit 3 – System Type

U = Universal Match Heat Pump

Digit 4 – Configuration Type

M = Convertible Air Handler

Digit 5 – Family

4 = Standard Model

Digit 6 – Series Number

5 = Standard Model

Digit 7, 8 – Nominal Capacity(Btu/hx1000)

18 = 18000 Btu/h

24 = 24000 Btu/h

30 = 30000 Btu/h

36 = 36000 Btu/h

42 = 42000 Btu/h

48 = 48000 Btu/h

Digit 9 – Major Development Sequence

B = Second Development Sequence

Digit 10 – Electric Power Supply Characteristics

1 = 208-230/60/1

Digit 11 – Reserved For Future Use

0 = Not Currently Used

Digit 12 – Region Of Sale

N = North America (UL or ETL)

Digit 13 – Reserved For Future Use

0 = Not Currently Used

Digit 14 – Minor Design Sequence

A = First Design Sequence

Digit 15 – Service Digit (Not Used For Ordering)

A = First Sequence

Part No.	Reference No.	Quantity	Description
75012370_4MUMUP1_237727~P	*		MODEL NUMBER DESCRIPTION PARTS LIST

MODEL NUMBER DESCRIPTION

75012370

REV.
A

Example Model Number:

4MUM4518B10N0AA
1 - - - - 5 - - - - 10 - - - - 15

Digit 1 – Refrigerant

4 = R410A

Digit 2 – Brand Name

M = Mini-Split Indoor Unit

Digit 3 – System Type

U = Universal Match Heat Pump

Digit 4 – Configuration Type

M = Convertible Air Handler

Digit 5 – Family

4 = Standard Model

Digit 6 – Series Number

5 = Standard Model

Digit 7, 8 – Nominal Capacity(Btu/hx1000)

18 = 18000 Btu/h

24 = 24000 Btu/h

30 = 30000 Btu/h

36 = 36000 Btu/h

42 = 42000 Btu/h

48 = 48000 Btu/h

Digit 9 – Major Development Sequence

B = Second Development Sequence

Digit 10 – Electric Power Supply Characteristics

1 = 208-230/60/1

Digit 11 – Reserved For Future Use

0 = Not Currently Used

Digit 12 – Region Of Sale

N = North America (UL or ETL)

Digit 13 – Reserved For Future Use

0 = Not Currently Used

Digit 14 – Minor Design Sequence

A = First Design Sequence

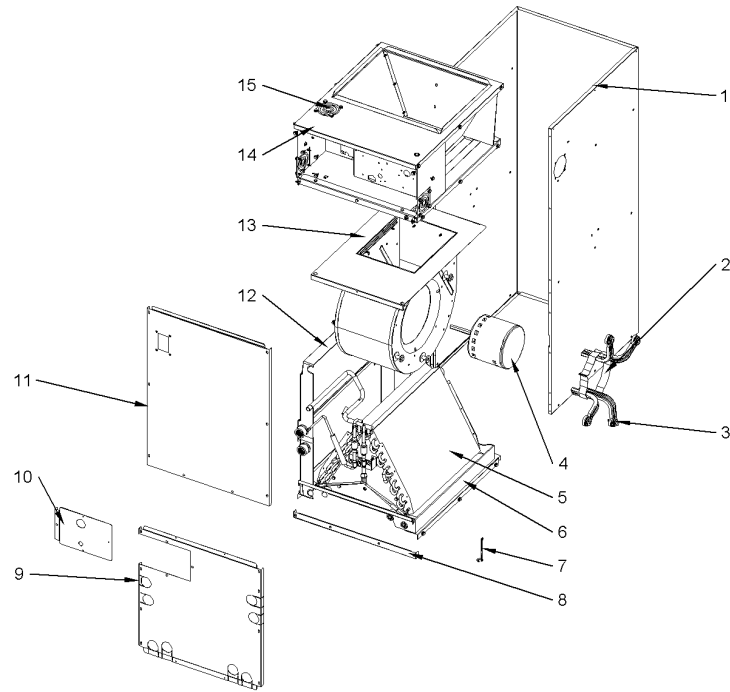
Digit 15 – Service Digit (Not Used For Ordering)

A = First Sequence

CABINET AND BLOWER ASSEMBLY

75012368

REV.
A



All orderable Service Parts are identified for this product.

Parts that are not identified, will not be available to order.

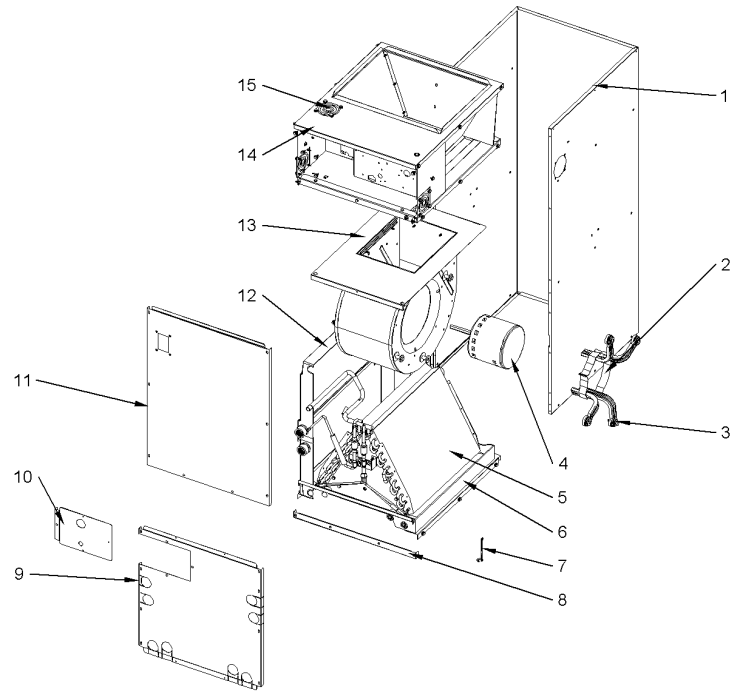
This is a typical illustration. The unit in the field may not appear exactly as shown.

Part No.	Reference No.	Quantity	Description
75012368_4MUMUP1_381714~P	*		CABINET AND BLOWERASSEMBLY PARTS LIST

CABINET AND BLOWER ASSEMBLY

75012368

REV.
A



All orderable Service Parts are identified for this product.

Parts that are not identified, will not be available to order.

This is a typical illustration. The unit in the field may not appear exactly as shown.

Parts List Number :4MUMUP1#4MUMUP1

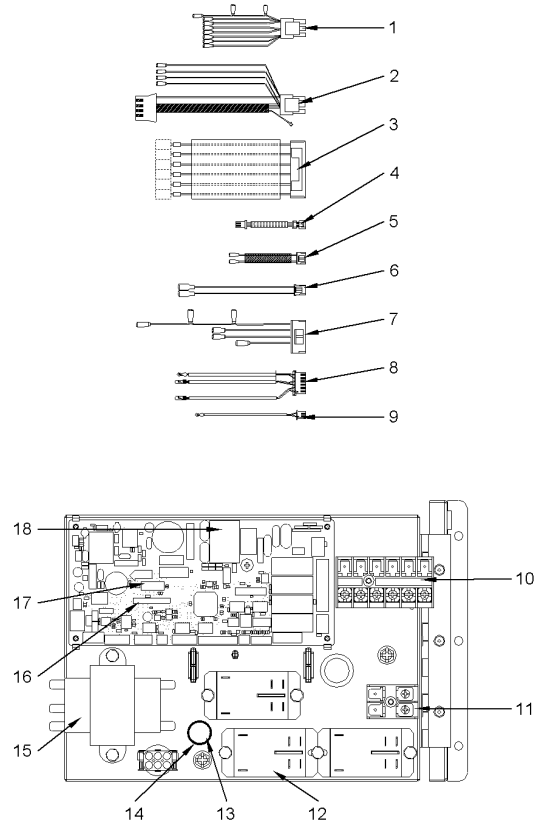
Model Number :4MUM4524B10N0AA

Part No.	Reference No.	Quantity	Description
CBT01857	1	1	CABINET; WRAPPER
BRK04764	2	1	BRACKET; MOTOR
BRK04763	3	1	BRACKET; MOTOR BRACE
MOT18549	4	1	MOTOR; FAN, CONSTANT TORQUE
COL28325	5	1	COIL; EVAP
PAN04135	6	1	PAN; VERTICAL DRAIN
SPG01139	7	1	SPRING; THERMISTOR CLIP, ETC-SENSOR, DVM-SYSTEM,STS304,R2.5
BRK04762	8	1	BRACKET; BOTTOM BRACE
PNL33777	9	1	PANEL; LOWER FRONT ACCESS
PNL33778	10	1	PANEL; LINE SET SERVICE PLATE
PNL33779	11	1	PANEL; TOP FRONT ACCESS
PAN04138	12	1	PAN; HORIZONTAL DRAIN
BLW01439	13	1	BLOWER; HOUSING AND WHEEL
PNL33780	14	1	PANEL; TOP CABINET
PLT06066	15	1	PLATE; HIGH VOLTAGE KNOCK OUT

CONTROL ASSEMBLY

75012369

REV.
A



All orderable Service Parts are identified for this product.

Parts that are not identified, will not be available to order.

This is a typical illustration. The unit in the field may not appear exactly as shown.

Parts List Number :4MUMUP1#4MUMUP1

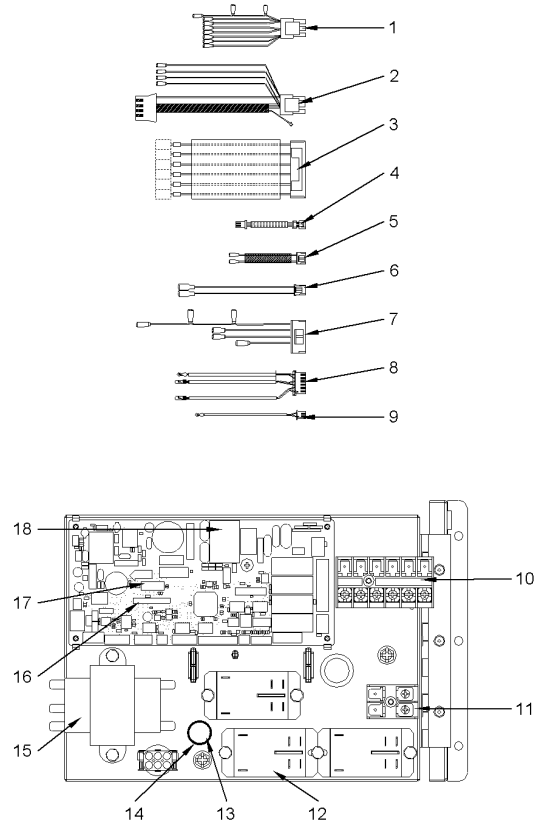
Model Number :4MUM4524B10N0AA

Part No.	Reference No.	Quantity	Description
75012369_4MUMUP1_237726~P	*		CONTROL ASSEMBLY PARTS LIST

CONTROL ASSEMBLY

75012369

REV.
A



All orderable Service Parts are identified for this product.

Parts that are not identified, will not be available to order.

This is a typical illustration. The unit in the field may not appear exactly as shown.

Part No.	Reference No.	Quantity	Description
WIR09151	1	1	WIRE; MOTOR WIRE B
WIR09150	2	1	WIRE; MOTOR WIRE A
WIR08035	3	1	WIRE HARNESS; COMM AND REMOTE CONTROL FROM MAIN PCB TO TERMINAL BLOCK
WIR08034	4	1	WIRE HARNESS; CONNECTOR FOR THERMAL FUSE
WIR08420	5	1	WIRE; POWER (SKY BLUE AND BROWN CN101)
WIR08419	6	1	WIRE; FAN OUT (YELLOW AND RED CN703)
WIR09030	7	1	WIRE; AC SIGNAL
SEN02665	8	1	SENSOR; THERMISTOR
SEN02664	9	1	SENSOR; TEMPERATURE
BLK01424	10	1	BLOCK; TERMINAL, COMMUNICATION, DVM FRESH DUCT, PBT PLUS G30 PERCENT, 6
BLK01578	11	1	BLOCK; TERMINAL BLOCK - THERMAL FUSE
RLY03783	12	1	RELAY; 240V COIL
HLD00754	13	1	HOLDER; WITH FUSE
FUS02483	14	1	FUSE; 3 AMP
TRR02803	15	1	TRANSFORMER; 208/240 VAC SECOND 40VA W/0.25 X 0.032
CNT07011	16	1	BOARD; SUB PCB BOARD
BRD04834	17	1	BOARD; EEPROM BOARD ASSEMBLY WITH EEPROM CHIP
BRD06393	18	1	BOARD; PCB MAIN