

Part No.	Reference No.	Quantity	Description
4MUDUP1_4MUDUP1_250417~P	*		4MUDUP1 PARTS LIST
75012354#4MUDUP1~S	*		CABINET BODY FAN ASSEMBLY
75012356#4MUDUP1~S	*		CABINET PANEL ASSEMBLY
75012353#4MUDUP1~S	*		CONTROL PANEL ASSEMBLY
75012355#4MUDUP1~S	*		EVAPORATOR AND DRAIN PUMP ASSEMBLY
75012352#4MUDUP1~S	*		MODEL NUMBER DESCRIPTION

NO GRAPHIC AVAILABLE

75013702

REV
A

**NO
GRAPHIC
AVAILABLE**

MODEL NUMBER DESCRIPTION

75012352

REV.
A

Global Duct Unit

Example Model Number:

4MUD4518B10N0AA
1 - - - 5 - - - - 10 - - - - 15

Digit 1 – Refrigerant

4 = R-410A

Digit 2 – Brand Name

M = Mini-Split Indoor Unit

Digit 3 – System Type

U = Universal Match Heat Pump

Digit 4 – Configuration Type

D = Concealed Ducted Unit

Digit 5 – Family

4 = Standard Model

Digit 6 – Connection Type

5 = Flare

Digit 7,8 – Nominal Capacity (Btu/h x 1,000)

18 = 18,000 Btu/h 36 = 36,000 Btu/h
24 = 24,000 Btu/h 42 = 42,000 Btu/h
30 = 30,000 Btu/h 48 = 48,000 Btu/h

Digit 9 – Major Development Sequence

A = First Development Sequence
B = Second Development Sequence

Digit 10 – Electric Power Supply Characteristics

1 = 208-230/60/1

Digit 11 – Reserved for Future Use

0 = Not Currently Used

Digit 12 – Region of Use

N = North America (UL or ETL)

Digit 13 – Reserved for Future Use

0 = Not Currently Used

Digit 14 – Minor Design Sequence

A = First Design Sequence

Digit 15 – Service Digit (Not Used for Ordering)

A = First Sequence

Part No.	Reference No.	Quantity	Description
75012352_4MUDUP1_250418~P	*		MODEL NUMBER DESCRIPTION PARTS LIST

MODEL NUMBER DESCRIPTION

75012352

REV.
A

Global Duct Unit

Example Model Number:

4MUD4518B10N0AA
1 - - - 5 - - - - 10 - - - - 15

Digit 1 – Refrigerant

4 = R-410A

Digit 2 – Brand Name

M = Mini-Split Indoor Unit

Digit 3 – System Type

U = Universal Match Heat Pump

Digit 4 – Configuration Type

D = Concealed Ducted Unit

Digit 5 – Family

4 = Standard Model

Digit 6 – Connection Type

5 = Flare

Digit 7,8 – Nominal Capacity (Btu/h x 1,000)

18 = 18,000 Btu/h 36 = 36,000 Btu/h
24 = 24,000 Btu/h 42 = 42,000 Btu/h
30 = 30,000 Btu/h 48 = 48,000 Btu/h

Digit 9 – Major Development Sequence

A = First Development Sequence
B = Second Development Sequence

Digit 10 – Electric Power Supply Characteristics

1 = 208-230/60/1

Digit 11 – Reserved for Future Use

0 = Not Currently Used

Digit 12 – Region of Use

N = North America (UL or ETL)

Digit 13 – Reserved for Future Use

0 = Not Currently Used

Digit 14 – Minor Design Sequence

A = First Design Sequence

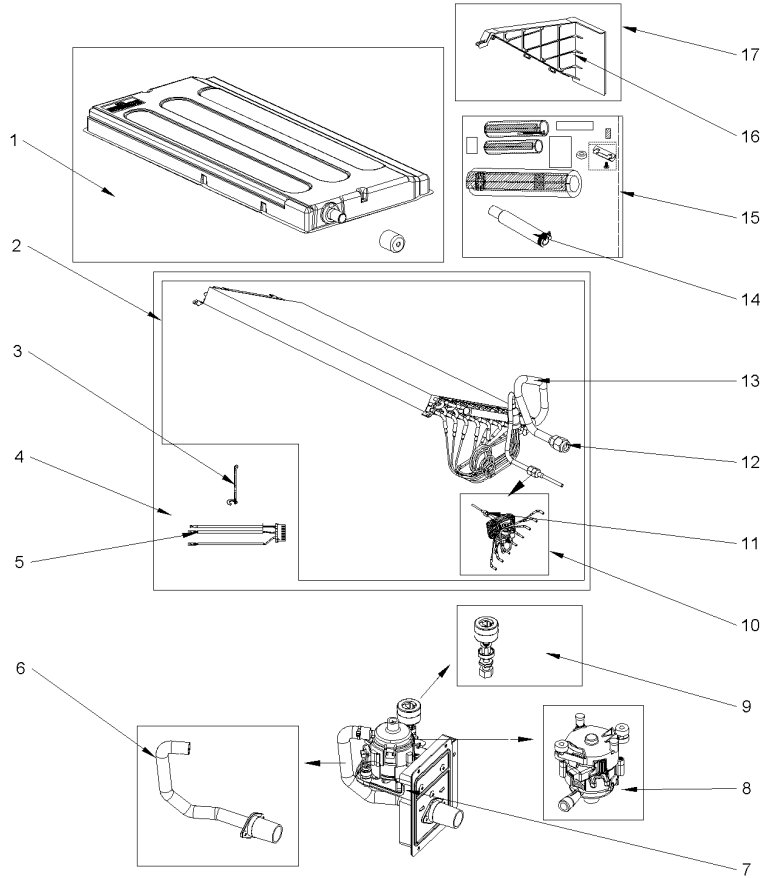
Digit 15 – Service Digit (Not Used for Ordering)

A = First Sequence

Evaporator and Drain Pump Assembly
Global Duct Indoor Unit

75012355

REV.
A



All orderable Service Parts are identified for this product.

Parts that are not identified, will not be available to order.

This is a typical illustration. The unit in the field may not appear exactly as shown.

Parts List Number :4MUDUP1#4MUDUP1

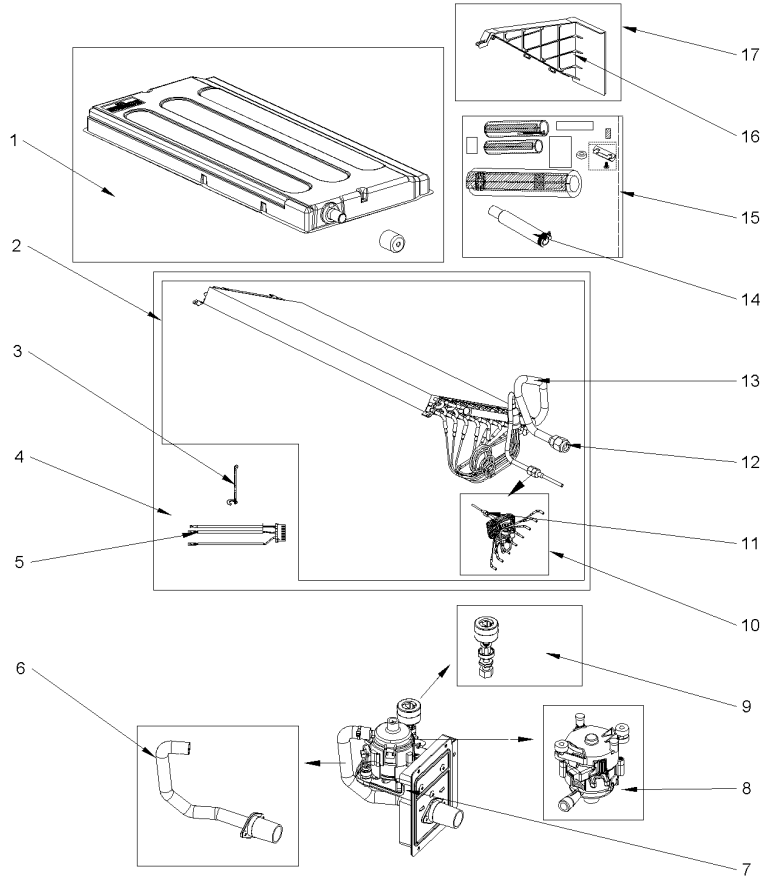
Model Number :4MUD4518B10N0AA

Part No.	Reference No.	Quantity	Description
75012355_4MUDUP1_250421~P	*		EVAPORATOR AND DRAIN PUMP ASSEMBLY PARTS LIST

Evaporator and Drain Pump Assembly
Global Duct Indoor Unit

75012355

REV.
A



All orderable Service Parts are identified for this product.

Parts that are not identified, will not be available to order.

This is a typical illustration. The unit in the field may not appear exactly as shown.

Parts List Number :4MUDUP1#4MUDUP1

Model Number :4MUD4518B10N0AA

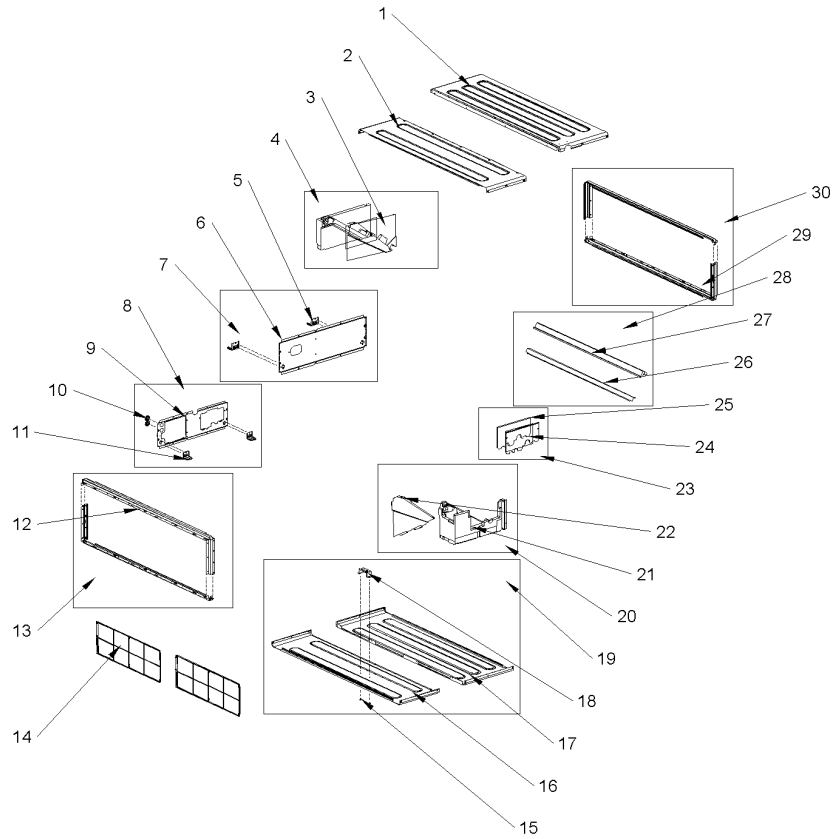
Part No.	Reference No.	Quantity	Description
PAN04100	1	1	PAN; DRAIN ASSY
COL28169	2	1	COIL; EVAP ASSY
SPG01139	3	2	SPRING; THERMISTOR CLIP, ETC-SENSOR, DVM-SYSTEM,STS304,R2.5
COL28176	4	1	COIL; EVAP ASSEMBLY
SEN02170	5	1	THERMISTOR; EVAP IN / OUT (U BEND)
HSE01963	6	1	HOSE; CONDENSATE DRAIN PUMP
PMP02262	7	1	PUMP; CONDENSATE DRAIN ASSY
PMP02213	8	1	PUMP; DRAIN
SEN02177	9	1	FLOAT; ASSY, SWITCH FLOAT
TUB14740	10	1	TUBE; EVAP IN ASSY
NUT01313	11	1	NUT; ETC
NUT01314	12	1	NUT; ETC
TUB14739	13	1	TUBE; EVAP OUT ASSY
TUB13761	14	1	TUBE; ASSEMBLY, DRAIN HOSE JOINT
KIT17949	15	1	KIT; ACCESSORY BAG
HLD00730	17	1	HOLDER; EVAP

CABINET PANEL ASSEMBLY

75012356

REV.
A

Global Duct Unit



All orderable Service Parts are identified for this product.

Parts that are not identified, will not be available to order.

This is a typical illustration. The unit in the field may not appear exactly as shown.

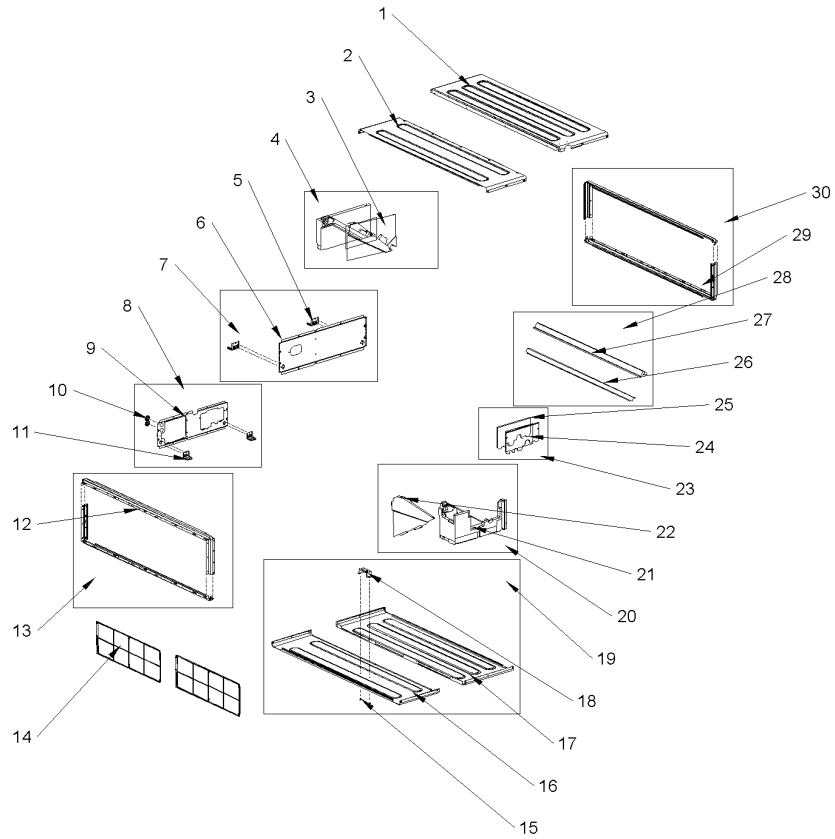
Part No.	Reference No.	Quantity	Description
75012356_4MUDUP1_250422~P	*		CABINET PANEL ASSEMBLY PARTS LIST

CABINET PANEL ASSEMBLY

75012356

REV.
A

Global Duct Unit



All orderable Service Parts are identified for this product.

Parts that are not identified, will not be available to order.

This is a typical illustration. The unit in the field may not appear exactly as shown.

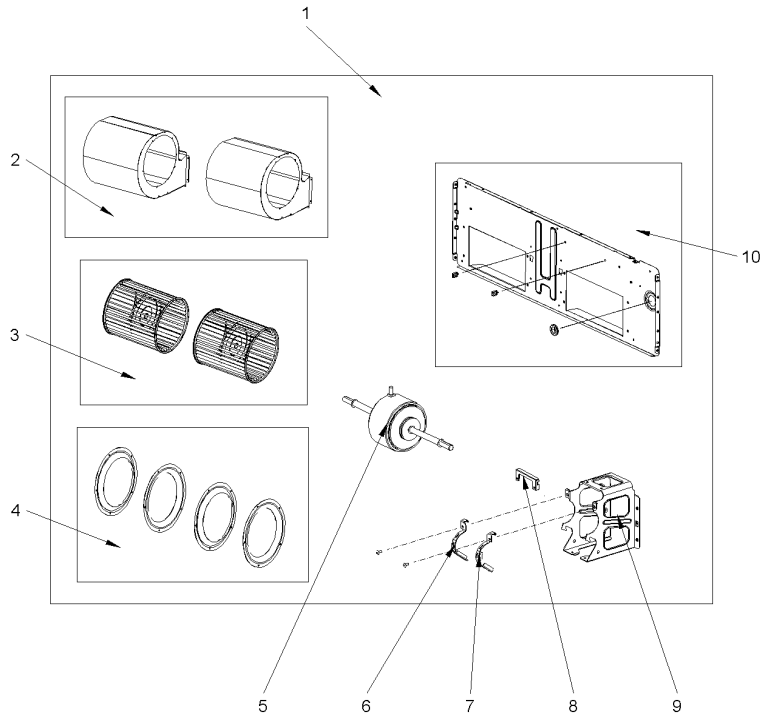
Part No.	Reference No.	Quantity	Description
PNL35135	1	1	PANEL; CAB TOP, COND
PNL35134	2	1	PANEL; CAB TOP FAN
PLT06276	3	1	PLATE; SUPPORT LEFT
SHD00596	4	1	SHIELD; LH CUSHION ASSY
BRK04956	5	2	BRACKET; CAB SIDE SUPPORT
PNL35151	6	1	PANEL; CAB LH
PNL35131	7	1	PANEL; CAB LH SIDE
PNL35133	8	1	PANEL; CAB ASSY RH SIDE
PNL35149	9	1	PANEL; CAB RH
BRK04956	11	2	BRACKET; CAB SIDE SUPPORT
FRM02385	13	2	FRAME; CAB ASSY
FLR08685	14	2	FILTER; RETURN AIR
PNL35147	16	1	PANEL; CAB BTM FAN
PNL35148	17	1	PANEL; CAB BTM EVAP
BRK04955	18	1	BRACKET; BTM SUPPORT
PNL35138	19	1	PANEL; CAB BTM ASSY
SHD00597	20	1	SHIELD; RH CUSHION ASSY
PLT06277	22	1	PLATE; SUPPORT RIGHT
PNL35128	23	1	PANEL; PIPE COVER ASSY
PLT06257	26	1	PLATE; FRONT
SEL01334	27	1	SEAL; FRONT CUSHION
SHD00598	28	1	SHIELD; CUSHION ASSY MID

CABINET BODY FAN ASSEMBLY

75012354

REV.
A

Global Duct Indoor Unit



All orderable Service Parts are identified for this product.

Parts that are not identified, will not be available to order.

This is a typical illustration. The unit in the field may not appear exactly as shown.

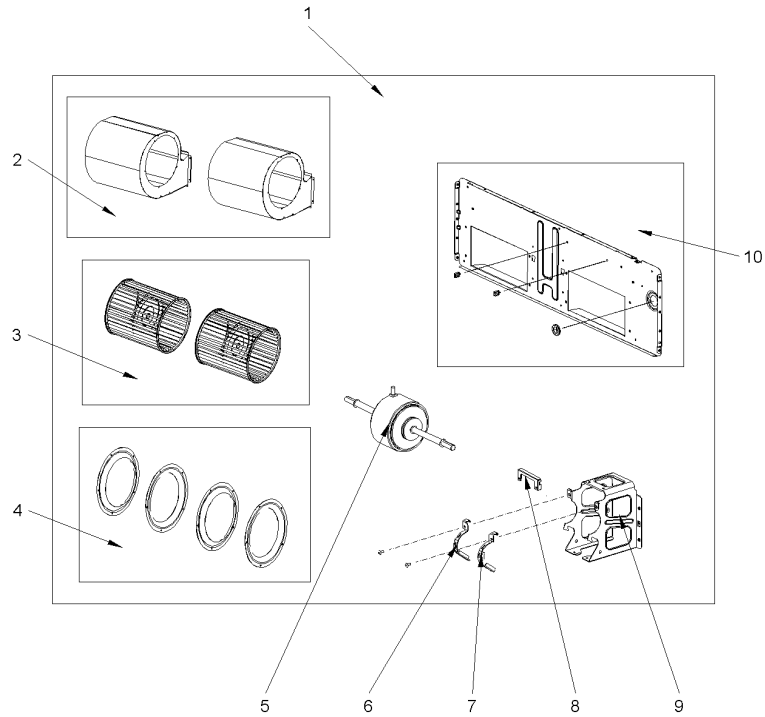
Part No.	Reference No.	Quantity	Description
75012354_4MUDUP1_250420~P	*		CABINET BODY FAN ASSEMBLY PARTS LIST

CABINET BODY FAN ASSEMBLY

75012354

REV.
A

Global Duct Indoor Unit



All orderable Service Parts are identified for this product.

Parts that are not identified, will not be available to order.

This is a typical illustration. The unit in the field may not appear exactly as shown.

Parts List Number :4MUDUP1#4MUDUP1

Model Number :4MUD4518B10N0AA

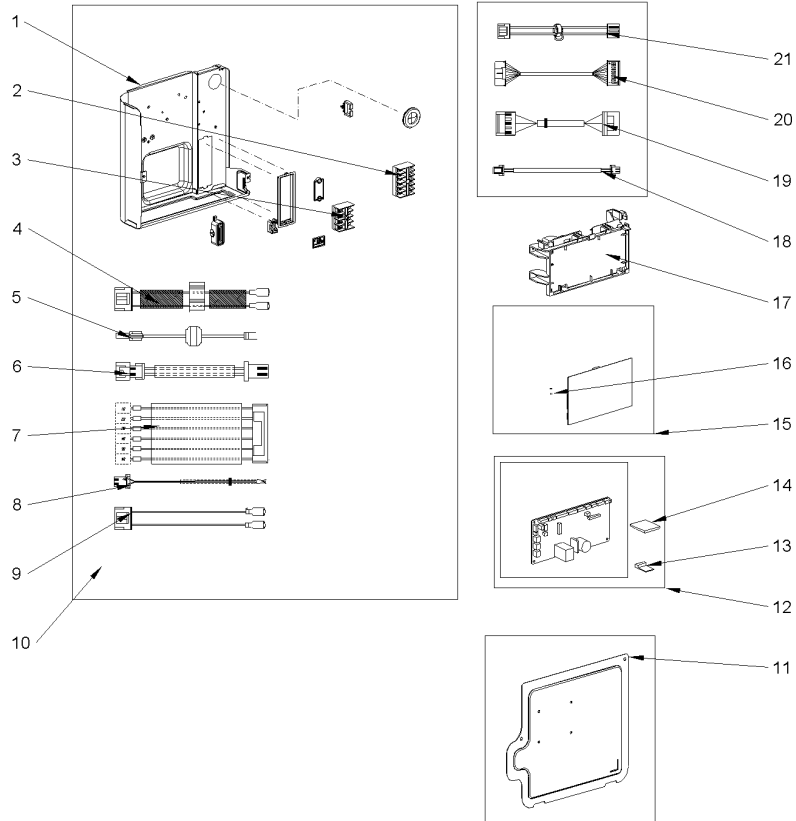
Part No.	Reference No.	Quantity	Description
BLW01465	1	1	BLOWER; COMPLETE ASSY
HUS04329	2	2	HOUSING, BLOWER
WHL03702	3	2	WHEEL; FAN
HUS04334	4	4	HOUSING; TRIM RING
MOT18415	5	1	MOTOR; FAN
HLD00727	6	1	HOLDER; MOTOR
HLD00728	7	1	HOLDER; MOTOR
BRK04949	8	1	BRACKET; MOTOR BARRIER
BRK04950	9	1	BRACKET; MOTOR
PNL35150	10	1	PANEL; FANBOARD

CONTROL PANEL ASSEMBLY

75012353

REV.
A

Global Duct Indoor Unit



All orderable Service Parts are identified for this product.

Parts that are not identified, will not be available to order.

This is a typical illustration. The unit in the field may not appear exactly as shown.

Parts List Number :4MUDUP1#4MUDUP1

Model Number :4MUD4518B10N0AA

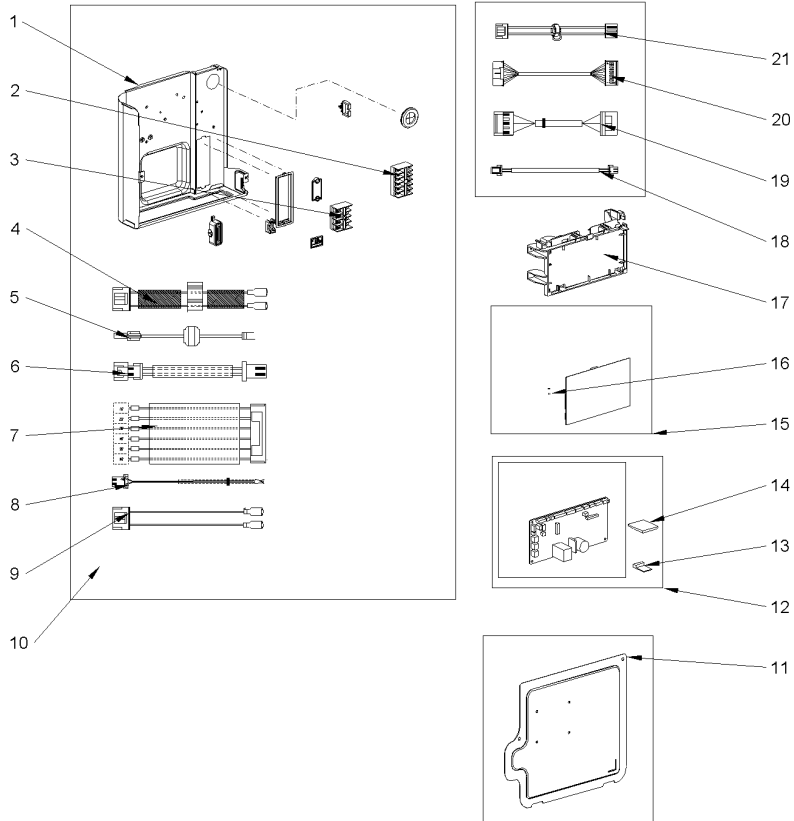
Part No.	Reference No.	Quantity	Description
75012353_4MUDUP1_250419~P	*		CONTROL PANEL ASSEMBLY PARTS LIST

CONTROL PANEL ASSEMBLY

75012353

REV.
A

Global Duct Indoor Unit



All orderable Service Parts are identified for this product.

Parts that are not identified, will not be available to order.

This is a typical illustration. The unit in the field may not appear exactly as shown.

Part No.	Reference No.	Quantity	Description
BRD06139	*	1	BOARD; PCB MAIN
BRD06394	*	1	BOARD; PCB SUB
CPN03596	*	1	CONTROL PANEL COMPLETE
PNL35129	1	1	PANEL; CONTROL CASE
BLK01463	2	1	TERMINAL BLOCK; COMMUNICATION AND WIRED REMOTE CONTROL
BLK01426	3	1	TERMINAL BLOCK; HIGH VOLTAGE, MAIN POWER, WITH THERMAL FUSE, THERMAL FUSE NOT AVAILABLE SEPARATELY
WIR08983	4	1	WIRE; CONNECTOR ASSY
WIR08033	5	1	WIRE ASSEMBLY; EARTH GROUND
CON01880	6	1	ASSY CONNECTOR WIRE-DC SIGNAL
WIR08981	7	1	WIRE; DC SIGNAL ASSY
SEN02164	8	1	SENSOR; ASSY THERMISTOR, DVM NASA SLIM DUCT, 103AT
WIR08028	9	1	WIRE HARNESS; HOT WATER COIL (FROM MAIN PCB BOARD TO TERMINAL BLOCK)
KIT18202	10	1	KIT; CONTROL COMPONENTS
PNL35126	11	1	PANEL; CNTRL ACCESS COVER
BRD06143	12	1	BOARD; PCB MANUAL ASSY
BRD06140	13	1	BOARD; PCB MAIN SUB ASSY
CNT07011	14	1	BOARD; SUB PCB BOARD
BRD06142	15	1	BOARD; PCB AUTO ASSY
SEN02659	16	1	SENSOR; THERMISTOR
PNL35127	17	1	PANEL; PCB CASE
WIR08979	18	1	WIRE; COMM ASSY
WIR08980	19	1	WIRE; MOTOR ASSY
WIR08982	20	1	WIRE; DISPLAY ASSY
WIR08984	21	1	WIRE; POWER ASSY