

Part No.	Reference No.	Quantity	Description
4TUKUP1_4TUKUP1_178281~P	*		4TUKUP1 PARTS LIST
75011332#4TUKUP1~S	*		ACCESSORY BAG KITS
75010989#4TUKUP1~S	*		ASSY CABINET PARTS
75011050#4TUKUP1~S	*		ASSY CONTROL PARTS
75010990#4TUKUP1~S	*		ASSY DRAIN PARTS
75010993#4TUKUP1~S	*		ASSY EVAPORATOR COIL PARTS
75010991#4TUKUP1~S	*		ASSY FAN PARTS
75010987#4TUKUP1~S	*		INDOOR NOMENCLATURE

NO GRAPHIC AVAILABLE

75013702

REV
A

**NO
GRAPHIC
AVAILABLE**

MODEL NUMBER DESCRIPTION

75010987

REV.
A

Indoor Mini-Split U-Match Heat Pump

Example Model Number:

4MUC4518A10N0AA
1 - - - - 5 - - - - 10 - - - - 15

Digit 1 – Refrigerant

4 = R-410a

Digit 2 – Brand Name

M = Mini-Split Indoor Unit

Digit 3 – System Type

U = Universal Match Heat Pump

Digit 4 – Configuration Type

C = 4-Way Cassette
D = Mid Pressure Static Duct Type

Digit 5 – Efficiency Tier

4 = Standard

Digit 6 – Connection Type

5 = Flare

Digit 7, 8 – Nominal Capacity (Btu/h x 1,000)

18 = 18,000 Btu/h
24 = 24,000 Btu/h
30 = 30,000 Btu/h
36 = 36,000 Btu/h
42 = 42,000 Btu/h
48 = 48,000 Btu/h

Digit 9 – Major Development Sequence

A = First Development Sequence

Digit 10 – Electric Power Supply Characteristics

1 = 208-230/60/1

Digit 11 – Reserved for Future Use

0 = Standard

Digit 12 – Miscellaneous Digit

N = North America Market (Mini-Split Models)

Digit 13 – Reserved for Future Use

0 = Standard

Digit 14 – Minor Design Sequence

A = First Design Sequence

Digit 15 – Service Digit (Not Used for Ordering)

A = First Design Sequence

INDOOR NOMENCLATURE

Parts List Number :4TUKUP1#4TUKUP1

Model Number :4MUC4542A10N0AA

Part No.	Reference No.	Quantity	Description
75010987_4TUKUP1_178282~P	*		INDOOR NOMENCLATURE PARTS LIST

MODEL NUMBER DESCRIPTION

75010987

REV.
A

Indoor Mini-Split U-Match Heat Pump

Example Model Number:

4MUC4518A10N0AA
1 - - - - 5 - - - - 10 - - - - 15

Digit 1 – Refrigerant

4 = R-410a

Digit 2 – Brand Name

M = Mini-Split Indoor Unit

Digit 3 – System Type

U = Universal Match Heat Pump

Digit 4 – Configuration Type

C = 4-Way Cassette
D = Mid Pressure Static Duct Type

Digit 5 – Efficiency Tier

4 = Standard

Digit 6 – Connection Type

5 = Flare

Digit 7, 8 – Nominal Capacity (Btu/h x 1,000)

18 = 18,000 Btu/h
24 = 24,000 Btu/h
30 = 30,000 Btu/h
36 = 36,000 Btu/h
42 = 42,000 Btu/h
48 = 48,000 Btu/h

Digit 9 – Major Development Sequence

A = First Development Sequence

Digit 10 – Electric Power Supply Characteristics

1 = 208-230/60/1

Digit 11 – Reserved for Future Use

0 = Standard

Digit 12 – Miscellaneous Digit

N = North America Market (Mini-Split Models)

Digit 13 – Reserved for Future Use

0 = Standard

Digit 14 – Minor Design Sequence

A = First Design Sequence

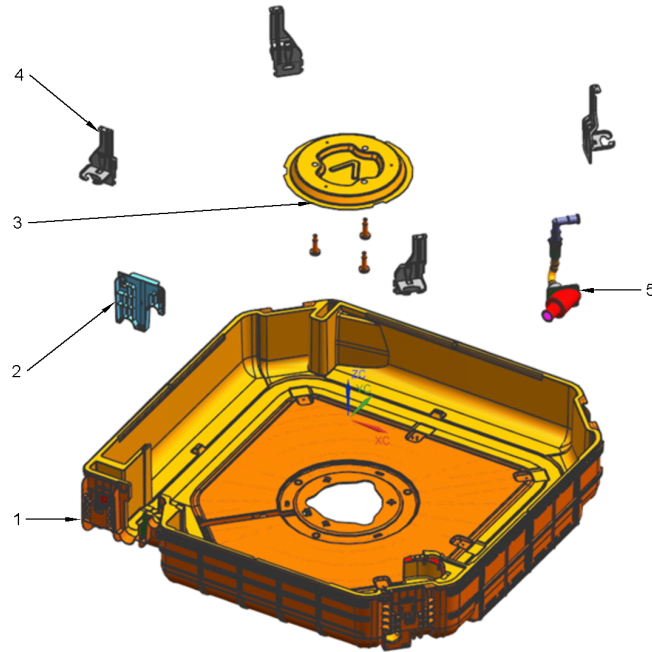
Digit 15 – Service Digit (Not Used for Ordering)

A = First Design Sequence

MINI-SPLIT ID U-MAT H.P. 4-WAY CASSETTE
ASSY CABINET PARTS

75010989

REV.
A



All orderable Service Parts are identified for this product.

Parts that are not identified, will not be available to order.

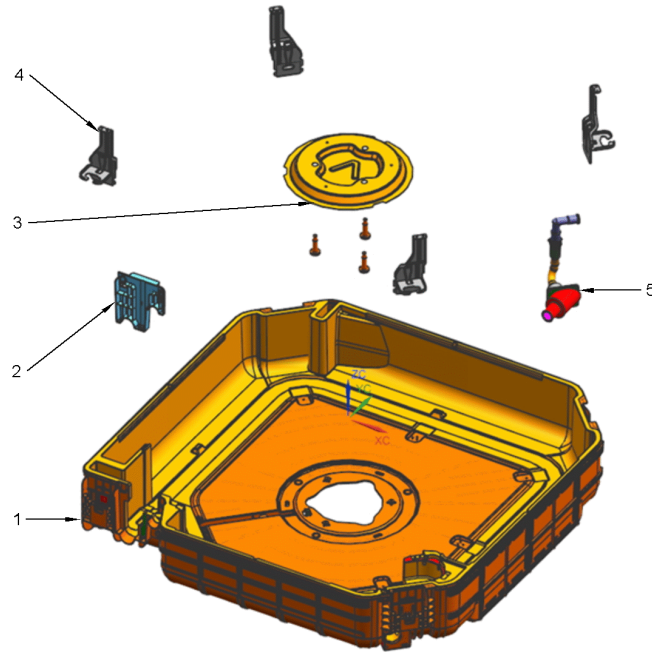
This is a typical illustration. The unit in the field may not appear exactly as shown.

Part No.	Reference No.	Quantity	Description
75010989_4TUKUP1_261928~P	*		ASSY CABINET PARTS

MINI-SPLIT ID U-MAT H.P. 4-WAY CASSETTE
ASSY CABINET PARTS

75010989

REV.
A



All orderable Service Parts are identified for this product.

Parts that are not identified, will not be available to order.

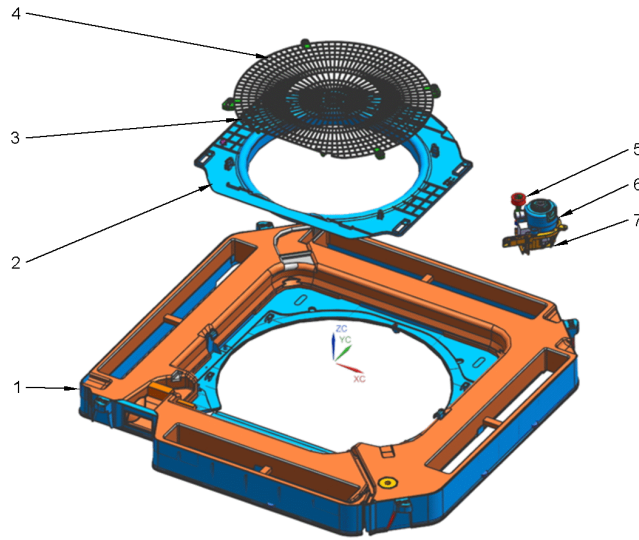
This is a typical illustration. The unit in the field may not appear exactly as shown.

Part No.	Reference No.	Quantity	Description
PNL29731	1	1	PANEL; OUTER SHELL ASSEMBLY INCLUDING HANGING BRACKETS AND MOTOR BRACKET
COV04980	2	1	COVER; ASSY COVER-PIPE
BRK04462	3	1	BRACKET; ASSY, MOTOR GLOBA 4WAY,SSEC CAC
PLT05745	4	4	PLATE; HANGER
CON01883	5	1	NO DESCRIPTION AVAILABLE

MINI-SPLIT ID U-MAT H.P. 4-WAY CASSETTE
ASSY DRAIN PARTS

75010990

REV.
A



All orderable Service Parts are identified for this product.

Parts that are not identified, will not be available to order.

This is a typical illustration. The unit in the field may not appear exactly as shown.

ASSY DRAIN PARTS

Parts List Number :4TUKUP1#4TUKUP1

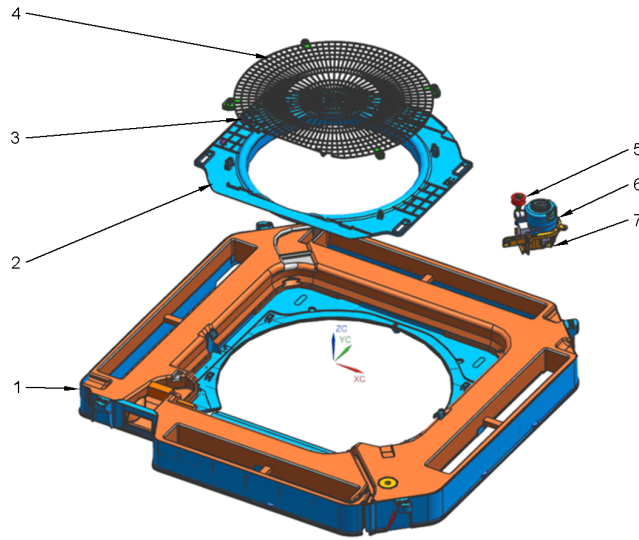
Model Number :4MUC4542A10N0AA

Part No.	Reference No.	Quantity	Description
75010990_4TUKUP1_261929~P	*		ASSY DRAIN PARTS

MINI-SPLIT ID U-MAT H.P. 4-WAY CASSETTE
ASSY DRAIN PARTS

75010990

REV.
A



All orderable Service Parts are identified for this product.

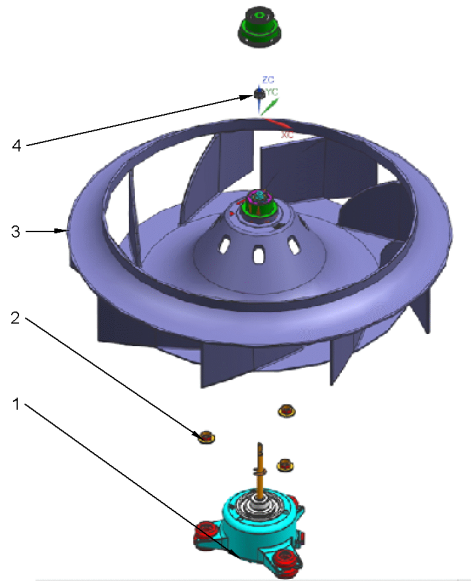
Parts that are not identified, will not be available to order.

This is a typical illustration. The unit in the field may not appear exactly as shown.

Part No.	Reference No.	Quantity	Description
PAN03405	1	1	DRAIN PAN, STYROFOAM
PNL29694	2	1	FAN; RETURN AIR FAN SHROUD, PLASTIC, LEFT HAND THREADED NUT NOT SUPPLIED
CAS02025	3	1	CASING; ASSY CASE-BELL MOUTH;GLOBAL 4WAY,SSEC CA
GRL01911	4	1	GRILLE; FAN GUARD
SEN02177	5	1	FLOAT; ASSY, SWITCH FLOAT
PMP02214	6	1	DRAIN PUMP ASSEMBLY WITH FLOAT SWITCH WITH WIRE HARNESSES
PMP02213	7	1	PUMP; DRAIN

MINI-SPLIT I.D. U-MATCH H.P. 4-WAY CASSETTE 75010991
ASSY FAN PARTS

REV.
A



All orderable Service Parts are identified for this product.

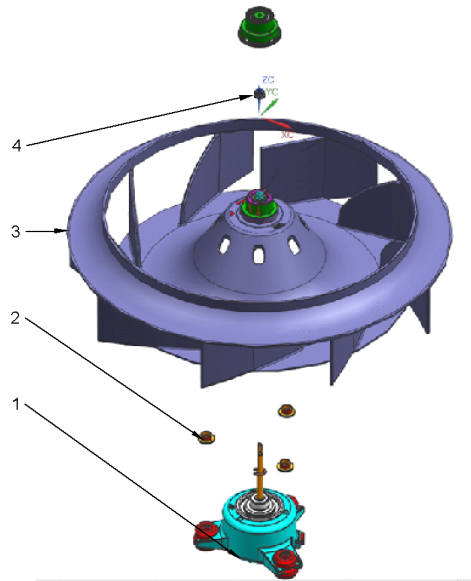
Parts that are not identified, will not be available to order.

This is a typical illustration. The unit in the field may not appear exactly as shown.

Part No.	Reference No.	Quantity	Description
75010991_4TUKUP1_261930~P	*		ASSY FAN PARTS

MINI-SPLIT I.D. U-MATCH H.P. 4-WAY CASSETTE 75010991
ASSY FAN PARTS

REV.
A



All orderable Service Parts are identified for this product.

Parts that are not identified, will not be available to order.

This is a typical illustration. The unit in the field may not appear exactly as shown.

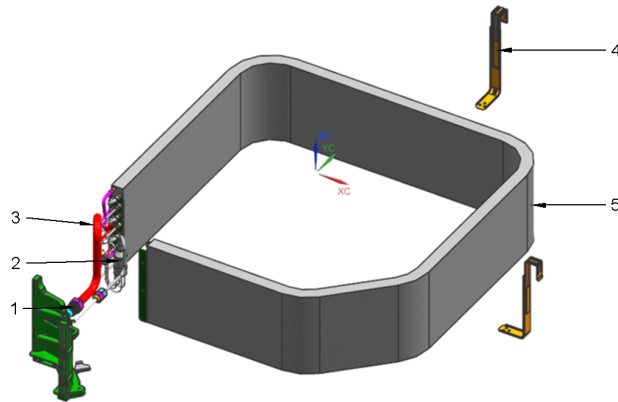
Parts List Number :4TUKUP1#4TUKUP1

Model Number :4MUC4542A10N0AA

Part No.	Reference No.	Quantity	Description
MOT17064	1	1	MOTOR; FAN, LEFT HAND THREADED NUT NOT SUPPLIED
NUT01311	2	3	NUT; ETC
FAN05006	3	1	FAN; BLADE TURBO
NUT01312	4	1	NUT; FLANGE

MINI-SPLIT I.D. U-MATCH H.P. 4-WAY CASSETTE 75010993
ASSY EVAPORATOR COIL PARTS

REV.
A



All orderable Service Parts are identified for this product.

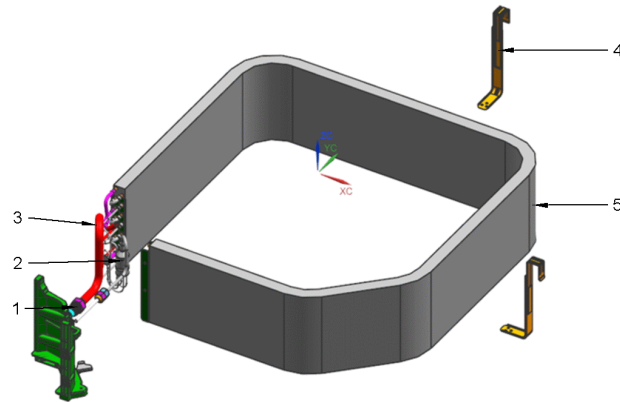
Parts that are not identified, will not be available to order.

This is a typical illustration. The unit in the field may not appear exactly as shown.

Part No.	Reference No.	Quantity	Description
75010993_4TUKUP1_261931~P	*		ASSY EVAPORATOR COIL PARTS

MINI-SPLIT I.D. U-MATCH H.P. 4-WAY CASSETTE 75010993
ASSY EVAPORATOR COIL PARTS

REV.
A



All orderable Service Parts are identified for this product.

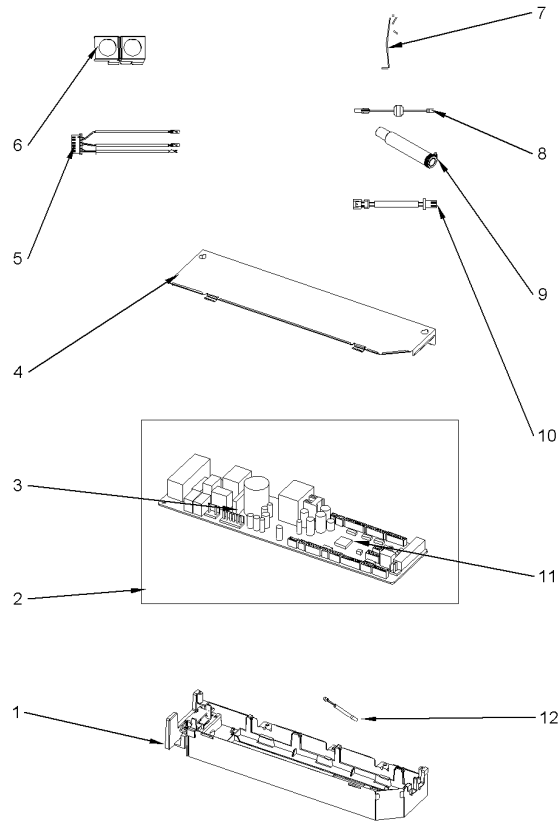
Parts that are not identified, will not be available to order.

This is a typical illustration. The unit in the field may not appear exactly as shown.

Part No.	Reference No.	Quantity	Description
NUT01313	1	1	NUT; ETC
TUB14075	3	1	TUBE; ASSY TUBE EVAP IN
HLD00642	4	2	HOLDER; COIL/BRACKETS HOLING COIL
COL25719	5	1	COIL; EVAPORATOR ASSEMBLY IF THIS FAILS CUSTOMER TO REPLACE THE UNIT

MINI-SPLIT I.D. U-MATCH H.P. 4-WAY CASSETTE 75011050
ASSY CONTROL PARTS

REV.
A



All orderable Service Parts are identified for this product.

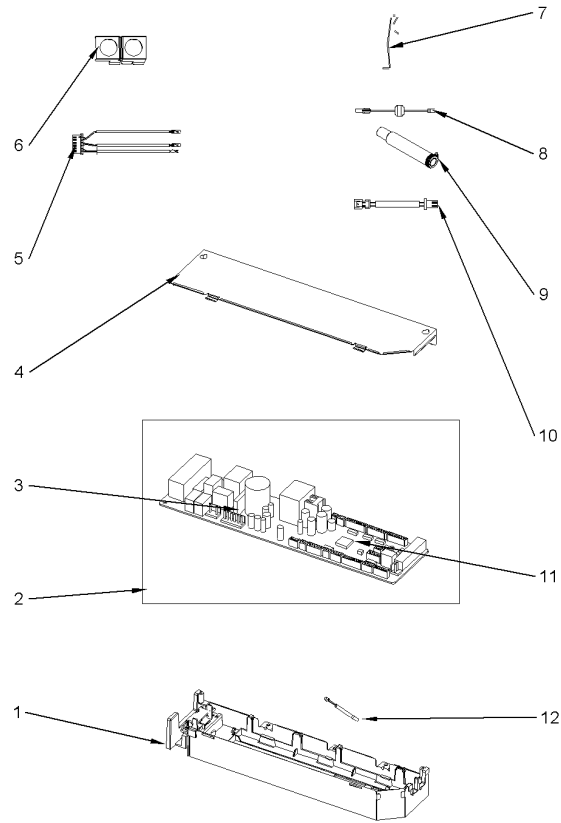
Parts that are not identified, will not be available to order.

This is a typical illustration. The unit in the field may not appear exactly as shown.

Part No.	Reference No.	Quantity	Description
75011050_4TUKUP1_261932~P	*		ASSY CONTROL PARTS

MINI-SPLIT I.D. U-MATCH H.P. 4-WAY CASSETTE 75011050
ASSY CONTROL PARTS

REV.
A



All orderable Service Parts are identified for this product.
Parts that are not identified, will not be available to order.
This is a typical illustration. The unit in the field may not appear exactly as shown.

Part No.	Reference No.	Quantity	Description
CAS02073	1	1	CASE; PCB CONTROL BOX
BRD05315	2	1	BOARD; MAIN PCB
BRD04834	3	1	BOARD; EEPROM BOARD ASSEMBLY WITH EEPROM CHIP
COV04983	4	1	COVER; PCB CONTROL PANEL
SEN02170	5	1	THERMISTOR; EVAP IN / OUT (U BEND)
BRK04451	6	1	BRACKET ; CONDUIT
SPG01143	7	1	SPRING; SENSOR
WIR08033	8	1	WIRE ASSEMBLY; EARTH GROUND
TUB13599	9	1	TUBE; DRAIN ADAPTER WITH PIPE INSULATION
CON01880	10	1	ASSY CONNECTOR WIRE-DC SIGNAL
CNT07011	11	1	BOARD; SUB PCB BOARD
SEN02162	12	1	THERMISTOR; ROOM TEMP

ACCESSORIES

75011332

REV.
A

BAG KITS

Accessory Bag Kits Contain:

1. Drain Adapter.
2. Rubber Washers.
3. Insulation Wraps.
4. Plastic Ties.

All orderable Service Parts are identified for this product.

Parts that are not identified, will not be available to order.

This is a typical illustration. The unit in the field may not appear exactly as shown.

Part No.	Reference No.	Quantity	Description
75011332_4TUKUP1_261933~P	*		ACCESSORY BAG KITS PARTS LIST

ACCESSORIES

75011332

REV.
A

BAG KITS

Accessory Bag Kits Contain:

1. Drain Adapter.
2. Rubber Washers.
3. Insulation Wraps.
4. Plastic Ties.

All orderable Service Parts are identified for this product.

Parts that are not identified, will not be available to order.

This is a typical illustration. The unit in the field may not appear exactly as shown.

Part No.	Reference No.	Quantity	Description
KIT17946	*	1	KIT; ACCESSORY BAG