

Part No.	Reference No.	Quantity	Description
4GXCUP1_4GXCUP1_183629~P	*		4GXCUP1 PARTS LIST
75011329#4GXCUP1~S	*		GENERAL ASSEMBLY
75011323#4GXCUP1~S	*		MODEL NOMENCLATURE

NO GRAPHIC AVAILABLE

75013702

REV
A

**NO
GRAPHIC
AVAILABLE**

MODEL NUMBER DESCRIPTION

75011323

REV.
A

A Coils (Cased)

Example Model Number:
4GXCA001AC6HUAA
1 - - - - 5 - - - - - 10 - - - - - 15

Digit 1 – Refrigerant Type

4 = R-410A

Digit 2 – Series

G = Entry Level (Cooling and HP)

Digit 3 – Coil Design

X = Direct Expansion Evaporator Coil

Digit 4 – Coil Feature

C = Cased A Coil

Digit 5 – Coil Width

A = 14.5"/13.3"

B = 17.5"/16.3"

C = 21.0"/19.8"

D = 24.5"/23.3"

Digit 6 – Refrigerant Line Coupling

0 = Brazed

Digit 7, 8 – Model Number Distinguisher

01 = 1,000 BTUH	02 = 2,000 BTUH
03 = 3,000 BTUH	04 = 4,000 BTUH
05 = 5,000 BTUH	06 = 6,000 BTUH
07 = 7,000 BTUH	08 = 8,000 BTUH
09 = 9,000 BTUH	10 = 10,000 BTUH
16 = 16,000 BTUH	17 = 17,000 BTUH
18 = 18,000 BTUH	

Digit 9 – Major Design Change

A = First Major Design Change

Digit 10 – Efficiency

C = Standard

Digit 11 – Refrigerant Control

6 = FCCV (Flow Control/Check Valve)

Digit 12 – Coil Circuitry

H = Heat Pump

Digit 13 – Air Flow Configuration

U = Upflow/Downflow

Digit 14 – Minor Design Change

A = First Minor Design Change

Digit 15 – Service Digit

A = First Service Digit

MODEL NOMENCLATURE

Parts List Number :4GXCUP1#4GXCUP1

Model Number :4GXCA001AC6HUAA

Part No.	Reference No.	Quantity	Description
75011323_4GXCUP1_183631~P	*		MODEL NOMENCLATURE PARTS LIST

MODEL NUMBER DESCRIPTION

75011323

REV.
A

A Coils (Cased)

Example Model Number:
4GXCA001AC6HUAA
1 - - - - 5 - - - - - 10 - - - - - 15

Digit 1 – Refrigerant Type

4 = R-410A

Digit 2 – Series

G = Entry Level (Cooling and HP)

Digit 3 – Coil Design

X = Direct Expansion Evaporator Coil

Digit 4 – Coil Feature

C = Cased A Coil

Digit 5 – Coil Width

A = 14.5"/13.3"

B = 17.5"/16.3"

C = 21.0"/19.8"

D = 24.5"/23.3"

Digit 6 – Refrigerant Line Coupling

0 = Brazed

Digit 7, 8 – Model Number Distinguisher

01 = 1,000 BTUH	02 = 2,000 BTUH
03 = 3,000 BTUH	04 = 4,000 BTUH
05 = 5,000 BTUH	06 = 6,000 BTUH
07 = 7,000 BTUH	08 = 8,000 BTUH
09 = 9,000 BTUH	10 = 10,000 BTUH
16 = 16,000 BTUH	17 = 17,000 BTUH
18 = 18,000 BTUH	

Digit 9 – Major Design Change

A = First Major Design Change

Digit 10 – Efficiency

C = Standard

Digit 11 – Refrigerant Control

6 = FCCV (Flow Control/Check Valve)

Digit 12 – Coil Circuitry

H = Heat Pump

Digit 13 – Air Flow Configuration

U = Upflow/Downflow

Digit 14 – Minor Design Change

A = First Minor Design Change

Digit 15 – Service Digit

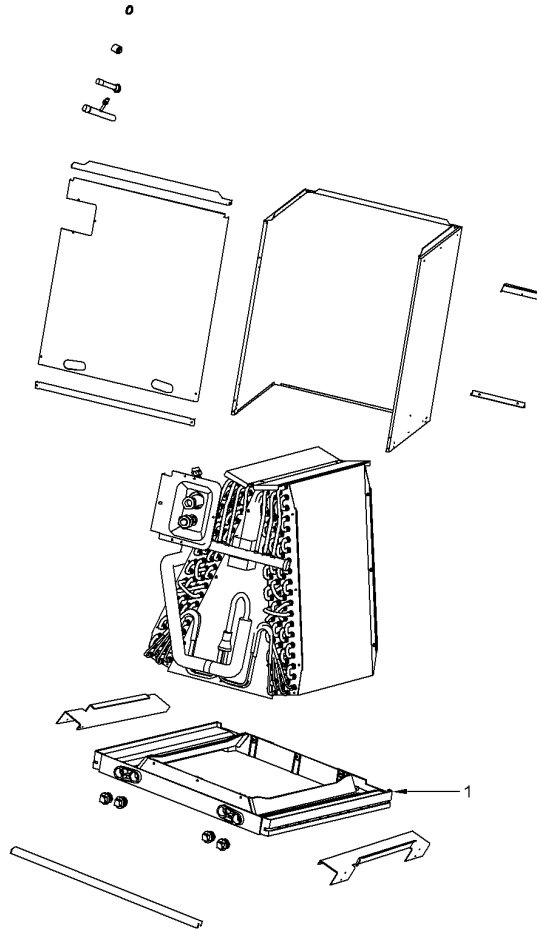
A = First Service Digit

GENERAL ASSEMBLY

75011329

REV.
A

ENTRY LEVEL (COOLING ONLY) DIRECT EXPANSION EVAP CASED COIL



All orderable Service Parts are identified for this product.

Parts that are not identified, will not be available to order.

This is a typical illustration. The unit in the field may not appear exactly as shown.

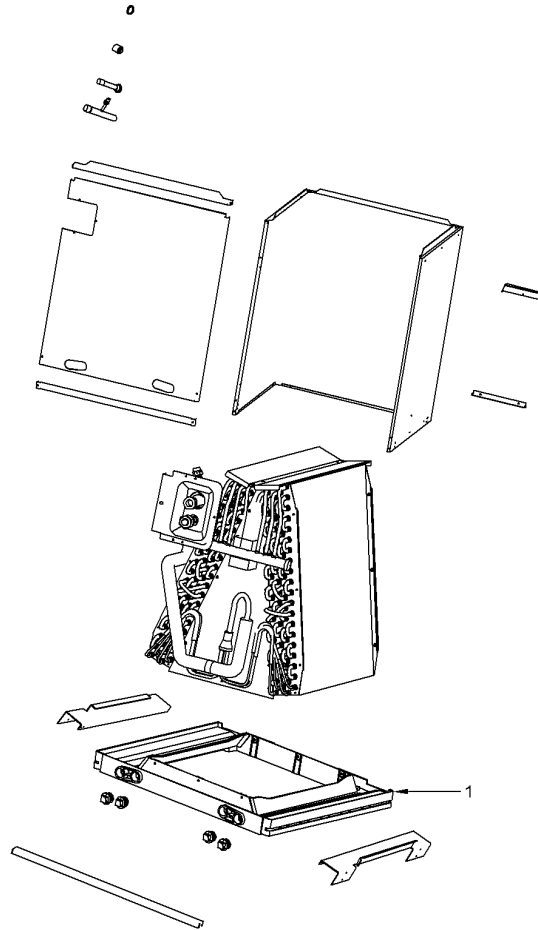
Part No.	Reference No.	Quantity	Description
75011329_4GXCUP1_233676~P	*		GENERAL ASSEMBLY PARTS LIST

GENERAL ASSEMBLY

75011329

REV.
A

ENTRY LEVEL (COOLING ONLY) DIRECT EXPANSION EVAP CASED COIL



All orderable Service Parts are identified for this product.

Parts that are not identified, will not be available to order.

This is a typical illustration. The unit in the field may not appear exactly as shown.

Part No.	Reference No.	Quantity	Description
4AYTXVH3G2436A	*	1	KIT-R410A TXV
CPL01420	*	1	TUBE; STUB TUBE, LIQUID LINE
PAN03277	1	1	PAN; VERTICAL DRAINAGE