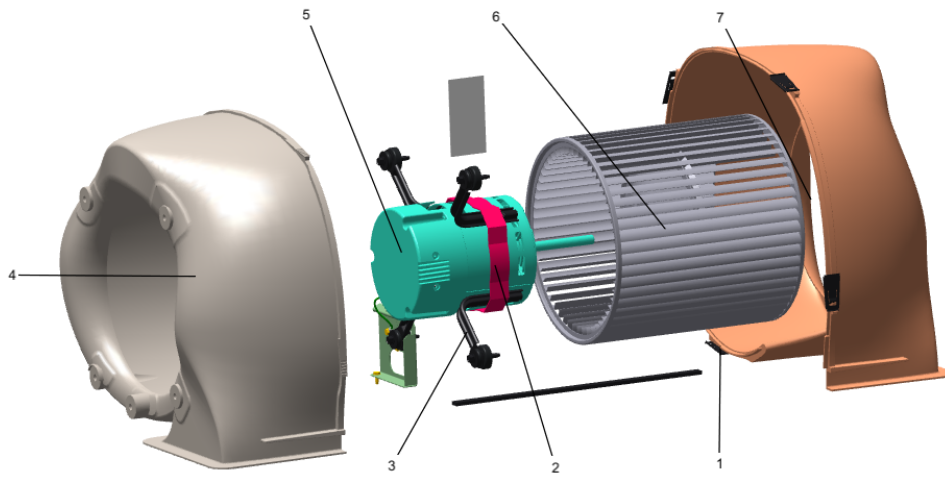


<b>Part No.</b>	<b>Reference No.</b>	<b>Quantity</b>	<b>Description</b>
0000172486~S	*		BLOWER
0000172485~S	*		CABINET
0000172488~S	*		CONTROL
0000172487~S	*		FAN
0000172493~S	*		GENERAL ASSEMBLY
0000172490~S	*		HEAT EXCHANGER
0000172492~S	*		MODEL NUMBER DESCRIPTION
0000172489~S	*		REFRIGERATION

Part No.	Reference No.	Quantity	Description
0000037933~P	*		BLOWER PARTS LIST



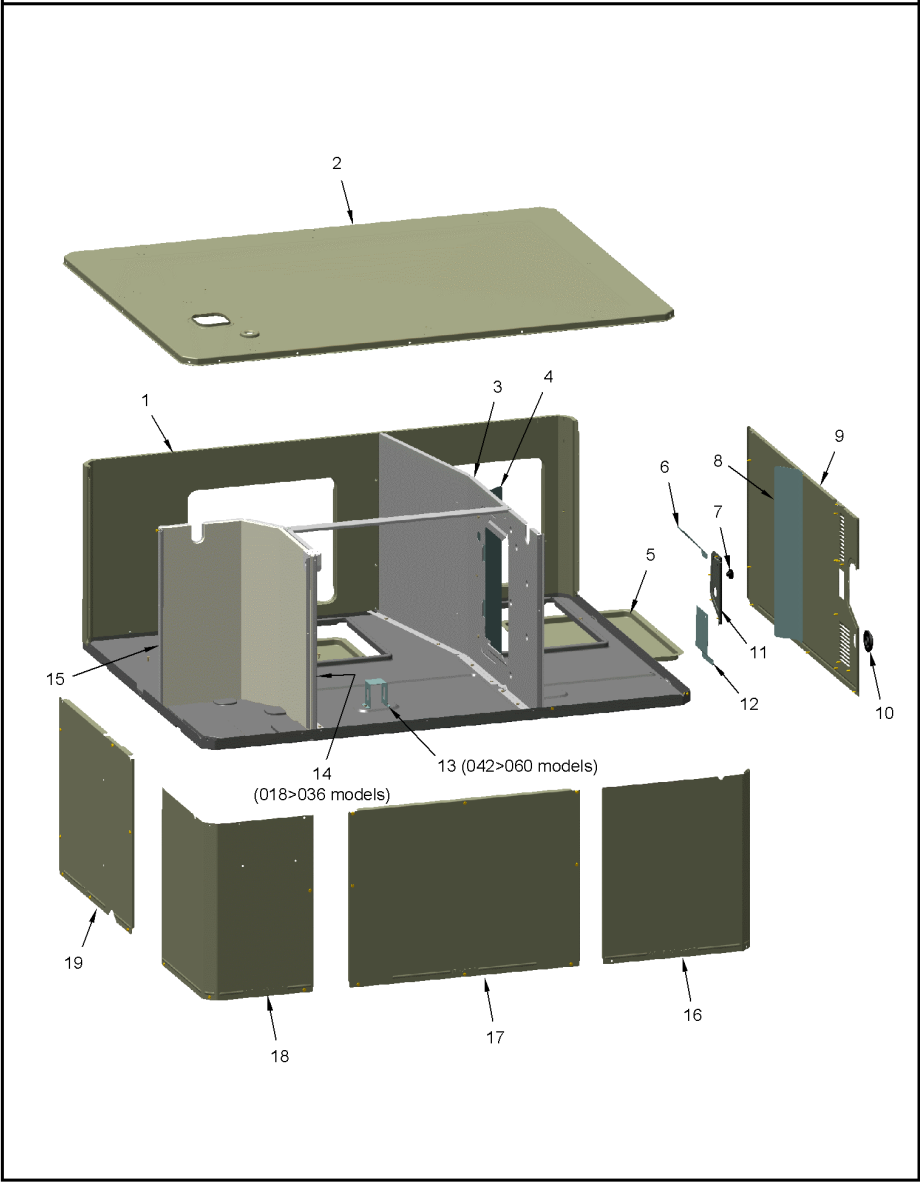
Part No.	Reference No.	Quantity	Description
BLW01387	*	1	BLOWER; ASSEMBLY, COMPLETE
BRK03543	*	1	BRACKET; BLOWER RETAINER, 4.32 X 5.64
NUT01063	*	1	NUT; LOCKING NYLON
SCR00968	*	1	SCREW; 10-16 HEX WASHER, TYPE B, THREAD FORMING SCREW, 0.31 THREAD LENGTH, STEEL W/ZINC FINISH
SCR00998	*	1	SCREW; 10-16 B HXW 1/2 S
SCR01584	*	1	BOLT; 1/4-20 MA HX 1.5 S
SCR02112	*	4	SCREW; ASSEMBLY-MOTOR MOUNT
TIE00004	*	1	TIE; WIRE
CLP01123	1	4	CLIP; CLEAT-BLOWER
BND00026	2	1	BAND; MOTOR MOUNT
BRK03396	3	4	BRACKET; ARM-MOTOR
HUS03824	4	1	HOUSING; BLOWER LEFT SIDE WITH 4 MOUNTING HOLES, MOLDED GLASS FIBER POLYESTER, COLOR: NATURAL
MOT15151	5	1	MOTOR; ECM VS MOTOR MODULE SET; 3/4 HP; 115/230 VOLTAGE; PROGRAMMED
WHL02557	6	1	WHEEL; BLOWER, 53 BLADES, CCW, CONCAVE DISC, 11.75 X 10.62
HUS03825	7	1	HOUSING; BLOWER RIGHT SIDE WITHOUT MOUNTING HOLES, MOLDED GLASS FIBER POLYESTER, COLOR: NATURAL

Part No.	Reference No.	Quantity	Description
0000026694~P	*		CABINETS PARTS LIST LOWER

CABINET  
LOWER - INDOOR  
TYPICAL ILLUSTRATION

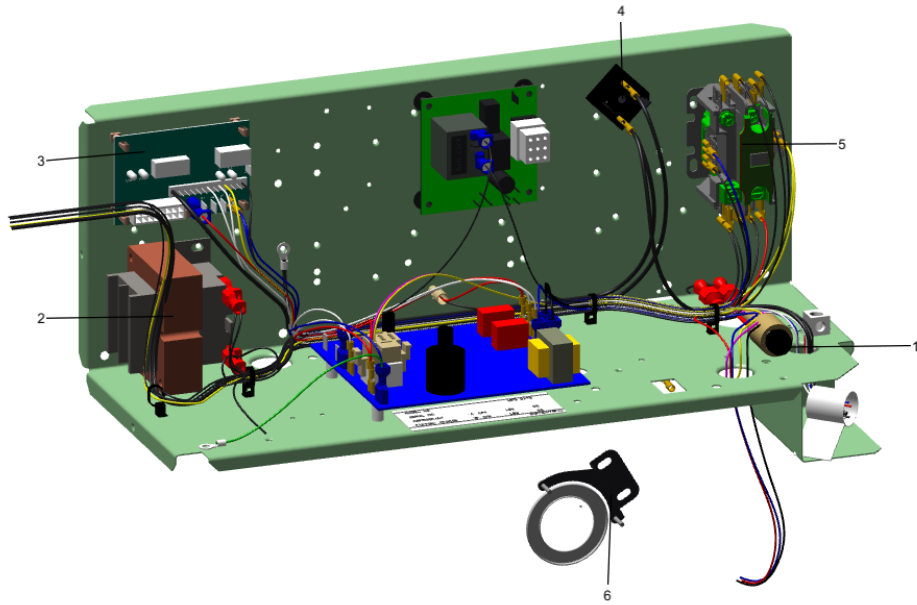
75010752

REV.  
A



Part No.	Reference No.	Quantity	Description
BRK03610	*	16	BRACKET; PLASTIC LOUVER, 2.0 X .63 X .53
COV03695	*	2	COVER; OUTDOOR, TOP, 58.33 X 44.08
INS02869	*	1	INSULATION; INDOOR TOP COVER, 17.5 X 7.4
ORF01443	*	1	ORIFICE; INLET, 34.12 OUTSIDE DIA, 28.28 INSIDE DIA
PAI00074	*	0	PAINT; SPRAY, SLATE GREY, FULL GLOSS(88) (SHIPPING UOM 12 OZ HAZ)
PNL22004	*	4	PANEL; CORNER POST, 17.84 H
PNL22188	*	2	PANEL; PLASTIC LOUVER, 38.86 X 17.40 - INCLUDES SPEED NUTS AND MOUNTING BRACKETS.
PNL22192	*	2	PANEL; PLASTIC LOUVER, 53.12 X 17.40 - INCLUDES SPEED NUTS AND MOUNTING BRACKETS.
PNL32043	*	1	PANEL; SUPPLY AND RETURN, 58.13 X 20.88
PNL32045	*	1	PANEL; GAS HEAT, 39.00 X 20.90
RIV00096	*	4	RIVET; BLIND, STAINLESS STEEL
SCR00981	*	30	SCREW, 10-16 AB HXW 1/2 S
SCR01509	*	2	SCREW; 10-16 AB HXW 3/4 S N
SCR01510	*	72	SCREW; 10-16 AB HXW 1/2 SN
SUP05918	*	3	SUPPORT; OUTDOOR COIL, 3.0 DIA, WITH GASKET
SUP05919	*	3	SUPPORT; OUTDOOR COIL, 3.0 DIA, WITH GASKET
TUB12257	*	3	TUBE; SUPPORT, TOP PIPE, .75 DIA, SCHEDULE 40 GREY PVC, 18.46 INCHES
COV04900	2	1	COVER; TOP, INDOOR, 58.33 X 44.08
PNL26625	3	1	PANEL; BLOWER BARRIER, 44.05 X 21.15
BAF01248	4	1	BAFFLE; AIR, 18 IN HIGH
COV04902	5	2	COVER; SUPPLY AND RETURN, 17.88 X 14.88
SHD00397	6	1	SHIELD; LOUVER, TOP, 5.0 X 1.9
GRM00118	7	1	GROMMET; 3/16 IN ID, NEOPRENE
BAF01392	8	1	BAFFLE; AIR, 20.00 X 3.68
GRM00129	8A	2	GROMMET; SCREW
PNL22042	9	1	PANEL; GAS HEAT, 7.81 X 4.50
BUS00616	10	1	BUSHING; 1.62 DIA
SCR01511	11	16	SCREW; 10-16 B HXW 1/2 S
SHD00424	12	1	SHIELD; LOUVER, BOTTOM, 6.0 X 4.0
BRK03544	13	1	BRACKET; BLOWER SUPPORT, U-SHAPED, 3.00 X 2.00 X 2.83
PNL28755	15	1	PANEL; COMPRESSOR BARRIER, 27.22 W X 21.15 H
PNL22000	16	1	PANEL; CONTROL/HEAT ACCESS, 17.93 X 20.70
PNL22014	17	1	PANEL; BLOWER ACCESS, 27.36 X 20.70
PNL21998	18	1	PANEL; COMPRESSOR ACCESS, 20.7 X 12.7 & 20.7 X 15.5
PNL22040	19	1	PANEL; INDOOR COIL ACCESS, 25.42 X 20.70

Part No.	Reference No.	Quantity	Description
0000040707~P	*		CONTROL BOX PARTS LIST



Part No.	Reference No.	Quantity	Description
CNT05135	*	1	CONTROL; DUAL STAGE, DIRECT SPARK IGNITION MODULE
CON00077	*	1	CONNECTOR, ELECTRIC GROUND, 14-2 AWG SOLDERLESS
CON00211	*	1	CONNECTOR; POLARIZED, 9 PIN
CON00251	*	3	CONNECTOR; WIRE
CON00371	*	1	CONNECTOR; 5 PIN MALE
CON00372	*	1	CONNECTOR; 3 PIN MALE
INS00306	*	1	INSULATION;
PIN00192	*	1	PIN; POLARIZING
PLU00325	*	1	PLUG; CONNECTOR, POLARIZED, 9 PIN MALE, NYLON, NATURAL COLOR
PLU00538	*	2	PLUG; POLARIZED, 16 PIN
RCT00062	*	1	RECEPTACLE; CONNECTOR, 6 PIN, POLARIZED, MALE
RES00118	*	1	RESISTOR; THERMISTOR , 260 OHMS AT 75 DEGREE F
RES00843	*	1	RESISTOR; 9.750 K OHMS
SCR00968	*	2	SCREW; 10-16 HEX WASHER, TYPE B, THREAD FORMING SCREW, 0.31 THREAD LENGTH, STEEL W/ZINC FINISH
SCR00981	*	5	SCREW, 10-16 AB HXW 1/2 S
SCR00998	*	8	SCREW; 10-16 B HXW 1/2 S
SCR01924	*	5	SCREW; 6-32 X .75, THREAD ROLLING SCREWS-ZINC PLATED, HEX WASHER
SEN01510	*	1	SENSOR; ASSEMBLY-AMBIENT, 83/85 IN LENGTH WIRES
TER00312	*	19	TERMINAL; 8IN. TIE CABLE
TIE00005	*	5	TIE; WIRE, .06-1.75 DIA
TIE00007	*	1	TIE;CABLE
TIE00008	*	19	TIE;CABLE
TRR01558	*	1	TRANSFORMER; 75VA, 200/230V PRI, 24V SEC, QUICK CONNECTS
WIR00767	*	2	WIRE; SPLICE
WIR04337	*	1	WIRE; HARNESS, ICM-LOW VOLTAGE. INCLUDES (2) PLU00538.
WIR04339	*	1	WIRE; HARNESS, ICM-HIGH VOLTAGE. INCLUDES (1) CON00371.
WIR05393	*	1	WIRE; HARNESS, CONTROLS. INCLUDES HIGH AND LOW VOLTAGE HARNESSES
WIR07794C	*	5	(X19210028130) TIE; WIRE NYLON 7.78 INCH 50 LB. .184" W
FUS01776	1	1	FUSE; 3.2 AMP, WITH HOLDER AND QUICK CONNECTS
SCR01080	2	1	SCREW; 10-16 B HXW 3/4 S N
CNT03600	3	1	CONTROL; ICM FAN, PWB, 16 PIN
RTF00058	4	1	RECTIFIER; BRIDGE
CTR02994	5	1	CONTACTOR; 1 POLE + SHUNT, NO, 40 FLA AT 240V, 50/60 HZ, 40 RES AMPS, 32V COIL, 40 FLA AT 240/277/480/600V
CNT05641	6	1	CONTROL; AIR PRESSURE, SPST, 28VA PILOT DUTY AT 24 VAC, 125VA PILOT DUTY AT 125VAC, SNAP ACTING CONTACTS, OPERATING TEMP RANGE: -40 TO 190F

Part No.	Reference No.	Quantity	Description
0000037741~P	*		FAN PARTS LIST

FAN

75010673

REV  
A

TYPICAL ILLUSTRATION



<b>Part No.</b>	<b>Reference No.</b>	<b>Quantity</b>	<b>Description</b>
FAN03984	1	1	FAN; SWEPT BLADE, 2 BLADE, ALUMINUM, 28.25 IN DIA, 24 DEG PITCH, .50 IN BORE, CCW, 1 SET SCREW-STEEL
MOT17687	2	1	MOTOR; OD FAN, 1/6 HP-48 FRAME PSC
GRL01530	3	1	GRILL; OUTDOOR FAN, 30.64 IN MOUNTING DIA
SCR02086	4	4	SCREW; 10-32 TR-3 HXW 3/8 S
GRD01440	5	1	GUARD; TROUGH-LEAD

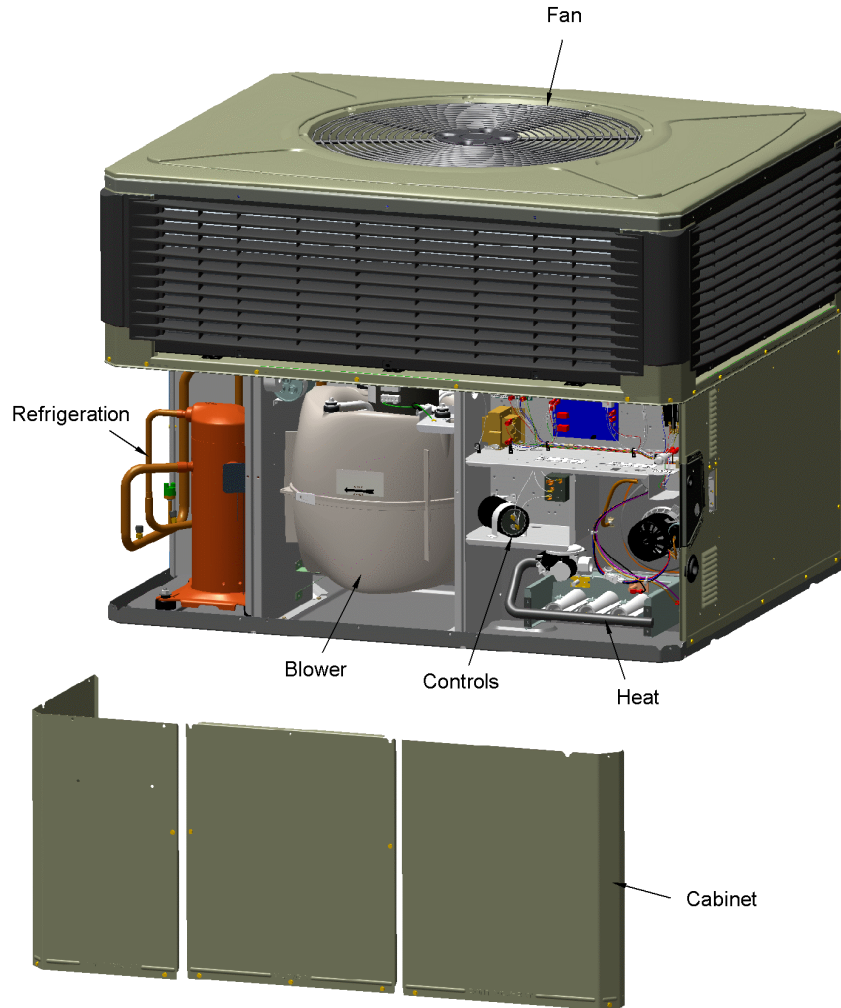
Part No.	Reference No.	Quantity	Description
000008976~P	*		GENERAL ASSEMBLY GRAPHIC

PACKAGED UNITS

75010835

REV.  
A

TYPICAL ILLUSTRATION



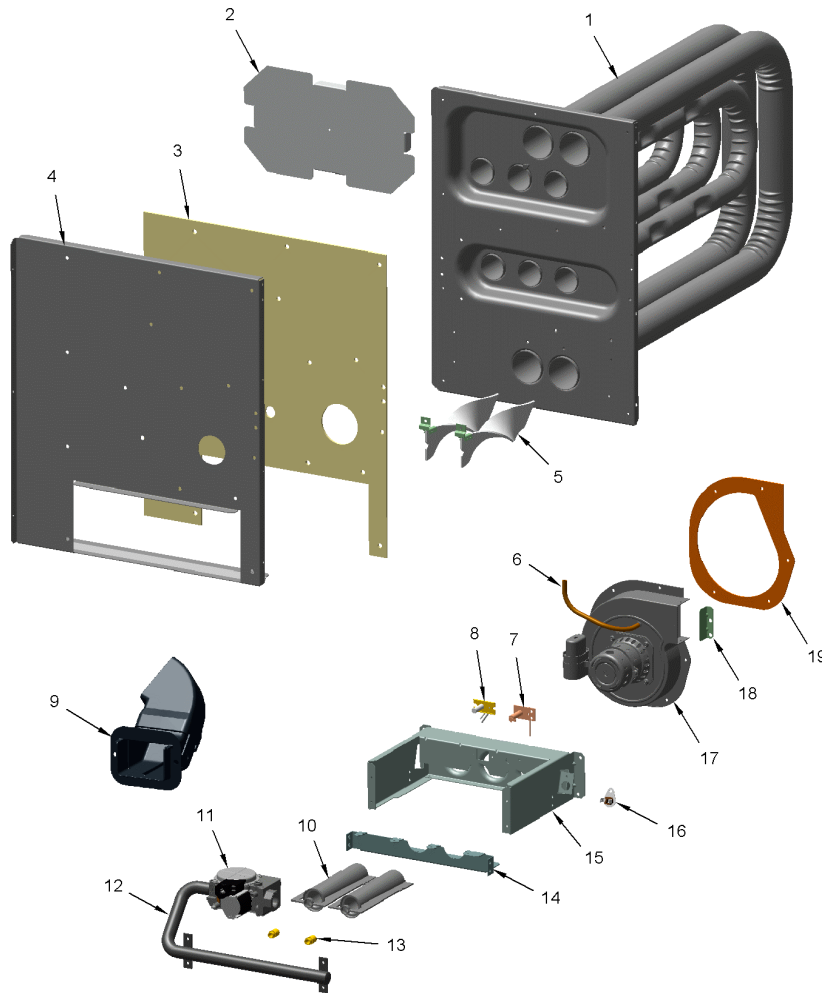
Part No.	Reference No.	Quantity	Description
0000037368~P	*		HEAT EXCHANGER PARTS LIST

HEAT

75010755

REV  
A

TYPICAL ILLUSTRATION



Part No.	Reference No.	Quantity	Description
MFD01157	*	1	MANIFOLD; GAS
RIV00064	*	4	RIVET; BLIND, .188 DIA X .277 LG
SCR00981	*	28	SCREW, 10-16 AB HXW 1/2 S
SCR00995	*	15	SCREW; 10-16 AB HXW 3/4 S N
SCR00998	*	3	SCREW; 10-16 B HXW 1/2 S
SCR01009	*	4	SCREW; 10-16 A HXW 3/8 S
SCR01252	*	15	SCREW; 10-16 AB HXW 3/4 S N
SCR01511	*	4	SCREW; 10-16 B HXW 1/2 S
SCR02773	*	1	SCREW; 10-16 AB HXW 3/4 SS
THT02541	*	1	THERMOSTAT; LIMIT SWITCH, OPEN AT 125F, CLOSE AT 105F
TIE00004	*	2	TIE; WIRE
TUB05375		1	TUBE; CONNECTING PRESSURE SW, 3/16 ID X 9 IN LENGTH
EXC02603	1	1	EXCHANGER; HEAT
SHD00398	2	1	SHIELD; HEAT, STAINLESS STEEL, 12.77 X 7.32
GKT04063	3	1	GASKET; COLLECTOR BOX, 20.96 X 14.82
BOF01930	4	1	BLOCKOFF; BARRIER-GAS HEAT, 21.16 X 18.30
TRB00121	5A	3	TURBULATOR; AND BRACKET ASSEMBLY
BRK03603	5B	3	BRACKET; TURBULATOR
SEN00297	7	1	SENSOR; FLAME
IGN00135	8	1	IGNITER; ELECTRODE, 22 INCH LEAD
HOD00519	9	1	HOOD; ASSEMBLY, FLUE
BNR01071	10	3	BURNER; 0.60 ID INSHOT BURNER, 0.036 THK 304 STAINLESS STEEL
VAL09034	11	1	VALVE; GAS, 2 STAGE, 1/2-14 NPT, 24V, 50/60 HZ, "J" SERIES
MFD01334	12	1	MANIFOLD; ASSEMBLY-GAS, INCLUDES (3) ORF01406
ORF01406	13	3	ORIFICE; GAS, .1040 DIA, # 37 DRILL, SPUD
RTR00983	14	1	RETAINER; BURNER, 10.65 L
BRK04542	15	1	BRACKET; BURNER
SWT02945	16	1	SWITCH; TEMP, 200 OPEN/CLOSE MANUAL, 25 AMP AT 240V, 125V PILOT DUTY, STAINLESS STEEL
BLW01379	17	1	BLOWER; INDUCER, 208-230/60/1, 2945 RPM, 2 MFD CPT AT 370 VAC, DOES NOT INCLUDE GKT04075
RSR00357	18	1	RESTRICTOR; FLUE OUTLET, 2.20 L X 0.50 W X 0.62 H
GKT04075	19	1	GASKET; INDUCER BLOWER

Part No.	Reference No.	Quantity	Description
000008616~P	*		MODEL NUMBER GRAPHIC

MODEL NUMBER DESCRIPTION  
PACKAGED UNITS

75011470

REV  
C

*Example Model Number:*  
**4 Y C Y 5 0 4 8 A 1 0 9 0 A A**  
1 - - - 5 - - - 10 - - - 15

**Digit 1 – Refrigerant**  
4 = R-410A

**Digit 2 – Type**  
Y = Gas Electric  
W = Heat Pump  
D = Dual Fuel  
T = Air Conditioner

**Digit 3 – Model Tier**  
C = Convertible  
H = Horizontal (only)

**Digit 4 – Model Tier**  
C = Entry Level  
X = Upgrade  
Y = Premium  
Z = Leadership - (2-Stage)  
A = RunTru Brand

**Digit 5 – Efficiency Tier**  
3 = 13 SEER  
4 = 14 SEER  
5 = 15 SEER  
6 = 16 SEER

**Digits 6,7,8 – Capacity in 1000's (BTUH)**  
018      042  
024      048  
030      060  
036

**Digit 9 – Major Design Change**

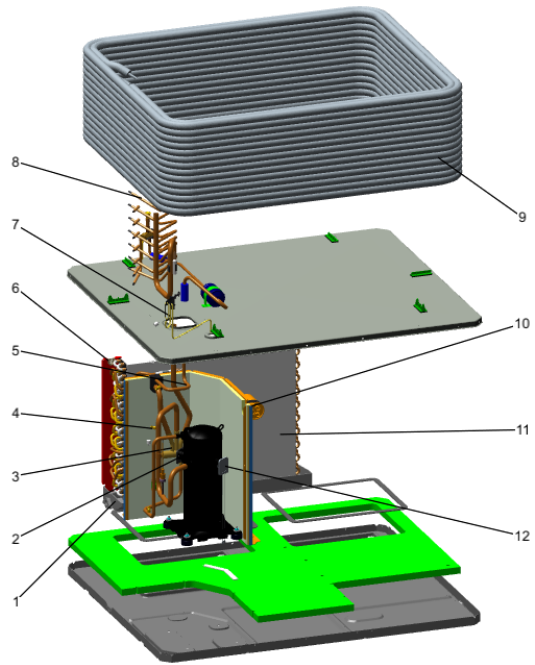
**Digit 10 – Voltage & Phase**  
1 = 230V 1 Phase  
3 = 230V 3 Phase  
4 = 460V 3 Phase

**Digit 11,12,13 – Gas Heat Input (MBTU/H)**  
000 (AC or HP)    075  
040                    096  
064                    120

**Digit 14 – Minor Design Change**

**Digit 15 – Service Digit - Not Orderable**

Part No.	Reference No.	Quantity	Description
0000037814~P	*		REFRIGERATION PARTS LIST



Part No.	Reference No.	Quantity	Description
BLT00809	*	4	BOLT; CARRIAGE, 5/16-18 X 1-3/4
CAP00455	*	3	CAP; HUB, 7/16-20 STRAIGHT
CLP00296	*	2	CLIP; TXV BULB, 7/8 INCH
COL31853	*	1	COIL; ASM-ID (HT PUMP)
CON00251	*	4	CONNECTOR; WIRE
COR00103	*	3	CORE; VALVE, .79 LENGTH, .206-36 UNS-1 MOD. THD
DST00895	*	1	DISTRIBUTOR; 5 OUTLETS, 19 ODS, .50 ODM INLET, BRASS
DST00896	*	1	DISTRIBUTOR; 6 OUTLETS, 19 ODS, .50 ODM INLET, BRASS
GRM00103	*	1	GROMMET; SPLIT, COMPRESSOR
INS00306	*	1	INSULATION;
ISR00007	*	4	ISOLATOR; VIBRATION
KIT08039	*	4	KIT; GROMMETS. COMPRESSOR MOUNTING. (CONSISTS OF 4), 0.44 ID X 1.63 OD NEOPRENE RUBBER-BLACK 45-55 DUROMETER
NUT00355	*	4	NUT; HEX, LOCK, 5/16IN.-18
NUT00890	*	4	NUT; PALLET, 5/16-18 UNC 2B THD.
PAN02889	*	1	PAN; DRAIN, BLACK PVC, 35.70 X 7.75
RES00118	*	1	RESISTOR; THERMISTOR , 260 OHMS AT 75 DEGREE F
RES00843	*	1	RESISTOR; 9.750 K OHMS
SCR01510	*	3	SCREW; 10-16 AB HXW 1/2 SN
SCR01511	*	2	SCREW; 10-16 B HXW 1/2 S
SWT03739	*	1	SWITCH; HIGH PRESSURE, OPEN @ 650 PSIG, CLOSE @ 500 PSIG, 74" BK-YL LEADS, BRAZED
TER00312	*	29	TERMINAL; 8IN. TIE CABLE
TUB11538	*	1	TUBE; RUBBER-BULB-TUBING, 1.125 DIAMETER, 26.000 LENGTH
TUB11542	*	1	TUBE; RUBBER-EQUAL-TUBING, .375 DIAMETER, 25.000 LENGTH
VAL08845	*	1	VALVE; EXPANSION, 2 TON, 3/8 INLET X 1/2 OUTLET, 93/89 PSIG, R410A
VAL08884	*	1	VALVE; SWITCHOVER, 6 TON, 5/8 IN ODF X 7/8 IDF CONNECTION (INCLUDES SOLENOID COIL)
WAS00638	*	4	WASHER; FLAT, 5/16 INCH
WIR00767	*	2	WIRE; SPLICE
WIR04495	*	1	WIRE; PLUG, SCROLL COMPRESSOR, 3-WIRE (BK,OR,RD), 72 IN TOTAL LENGTH
PAN02765	1	1	PAN; DRAIN, BLACK PVC, 35.70 X 7.75
COM10800	2	1	COMPRESSOR; SCROLL, ALLIANCE, TXA040B1BTZ, 3.25 TON, 208V-230V/60/1, R-410A, 7/8 SUCTION, 1/2 DISCHARGE, STUB TUBE
VAL18351	3a	1	VALVE; EXPANSION, 3 TON, 3/8 INLET X 1/2 OUTLET, 92/88 PSIG, R410A
TUB13949	4	1	TUBE; SOV SUCTION
BOD00114	4a	3	BODY; VALVE, BRASS, 7/16 HEX, 7/16 -20 UNF-2A
TUB13267	5	1	TUBE; LIQUID LINE ASSEMBLY
TUB13600	5a	1	TUBE; LIQUID
GKT01820	6	4	GASKET; 3/4 OD X 7/16 ID X .06 THK
SEN01370	7	1	SENSOR; ASSEMBLY, 9.75 K RESISTANCE OHMS AT 75 DEG F, YELLOW WIRES, 73 IN AND 75 IN
TUB11547	8	12	TUBE; TRANSITION ASSEMBLY
TUB02810	8a	12	TUBE; TRANSITION
COL25315	9	1	COIL; OUTDOOR, SPINE FIN
CPT00659	10	1	CAPACITOR; DUAL, 30/5 MFD, 440V, ROUND, W/O RESISTOR
COL27480	11	1	COIL; INDOOR, FLAT FIN, 36.00 L X 20.00 H, INCLUDES FLOW CONTROL ASSEMBLY
PLU00976	12	1	PLUG; COMPRESSOR SOLENOID, 2-WIRE (WH,WH), 69 IN LENGTH