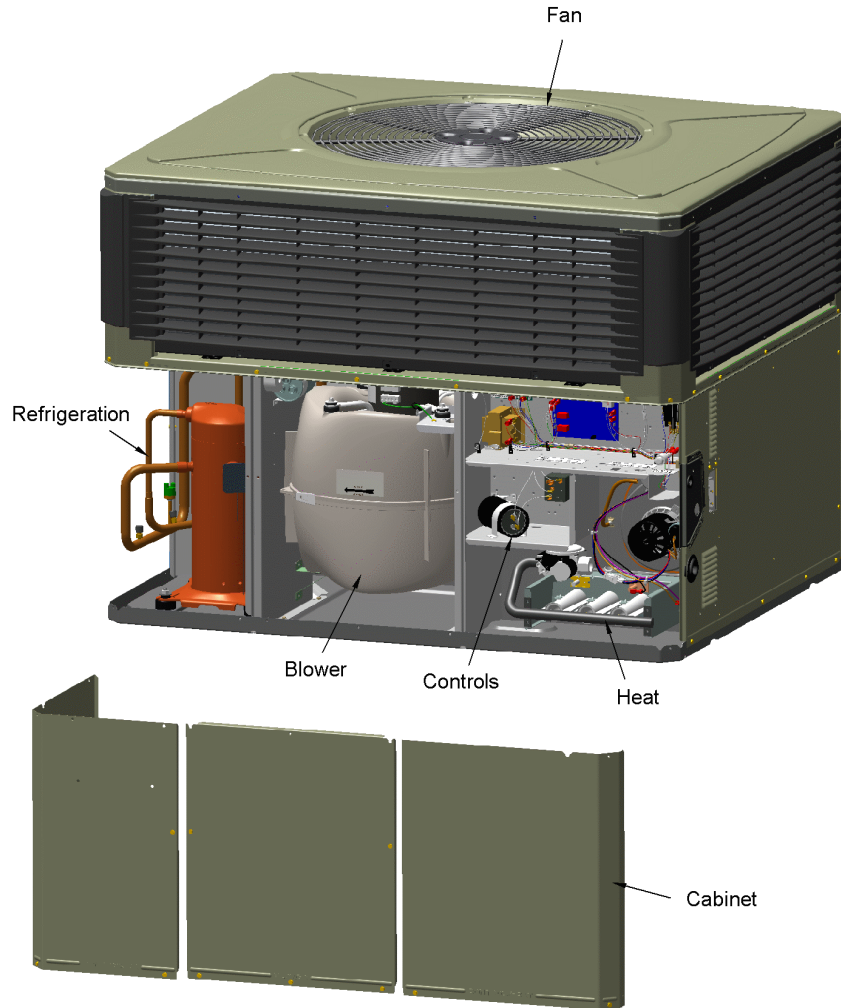


PACKAGED UNITS

75010835

REV  
A

TYPICAL ILLUSTRATION



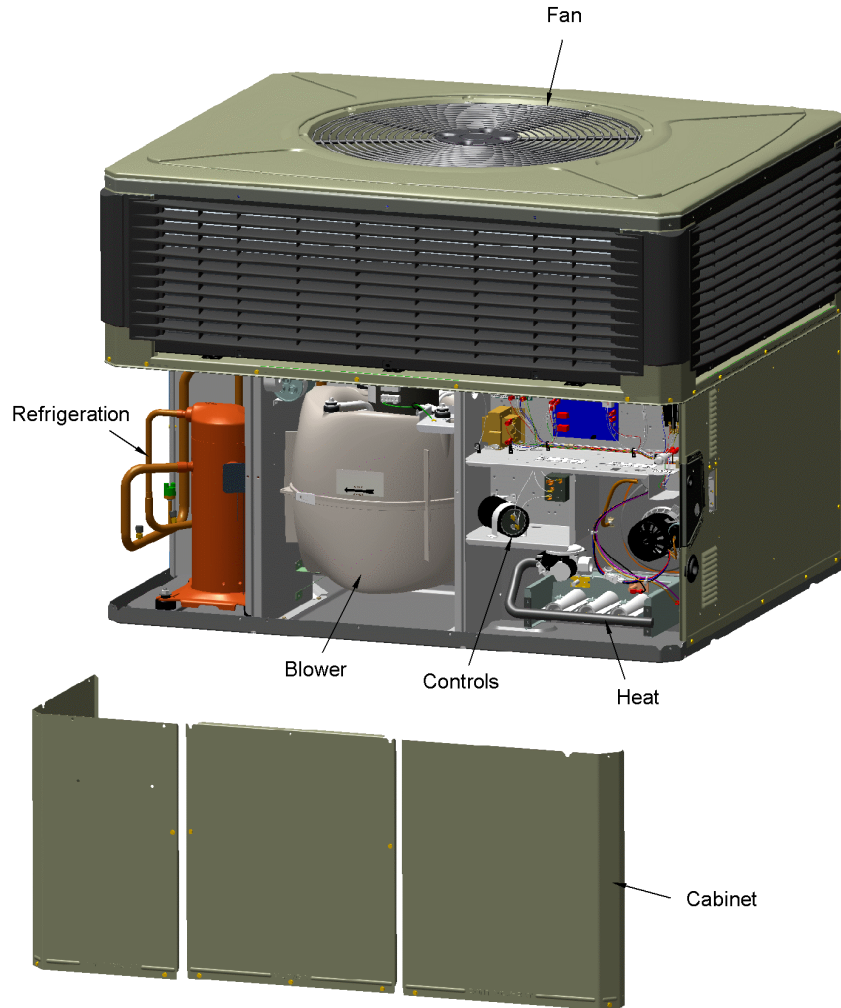
| <b>Part No.</b>            | <b>Reference No.</b> | <b>Quantity</b> | <b>Description</b>                             |
|----------------------------|----------------------|-----------------|--|
| 75010830#4DCY4UP6~S        | *                    |                 | BLOWER   |
| 75010752#4DCY4UP6~S        | *                    |                 | CABINET - LOWER                                |
| 75010828#4DCY4UP6~S        | *                    |                 | CABINET - UPPER                                |
| 75010834#4DCY4UP6~S        | *                    |                 | CONTROLS                                       |
| 75010673#4DCY4UP6~S        | *                    |                 | FAN  |
| 75010755#4DCY4UP6~S        | *                    |                 | HEAT   |
| 75008692#4DCY4UP6~S        | *                    |                 | MODEL NUMBER DESCRIPTION                       |
| NGRAPHIC#4DCY4UP6~S        | *                    |                 | OPTIONAL EQUIPMENT                             |
| 75010672#4DCY4UP6~S        | *                    |                 | OUTDOOR COIL                                   |
| 75010835_4DCY4UP6_203219~P | *                    |                 | PACKAGED GAS / ELECTRIC - HEAT PUMP PARTS LIST |
| 75010704#4DCY4UP6~S        | *                    |                 | REFRIGERATION                                  |

PACKAGED UNITS

75010835

REV.  
A

TYPICAL ILLUSTRATION

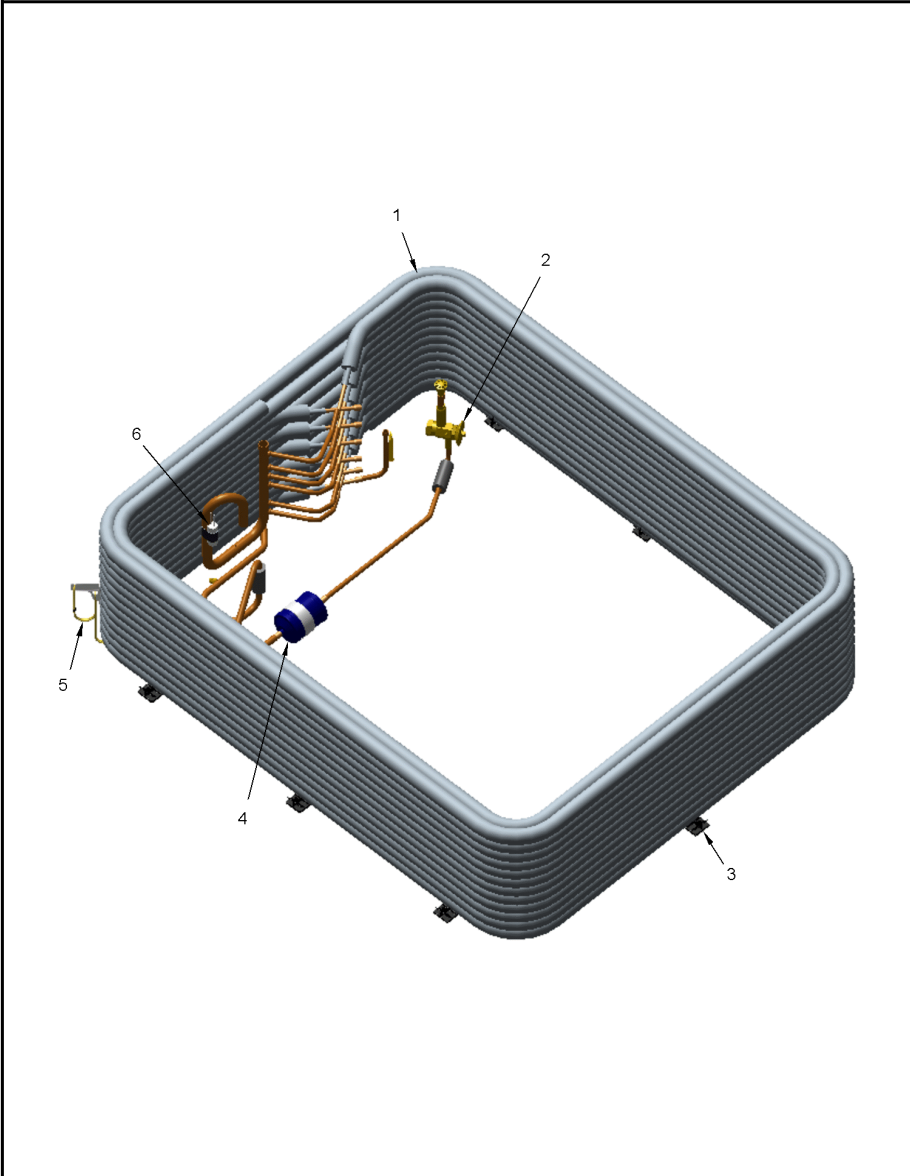


OUTDOOR COIL

75010672

REV.  
A

TYPICAL ILLUSTRATION



OUTDOOR COIL

Parts List Number :75010835#4DCY4UP6

Model Number :4DCY4048C1090AA

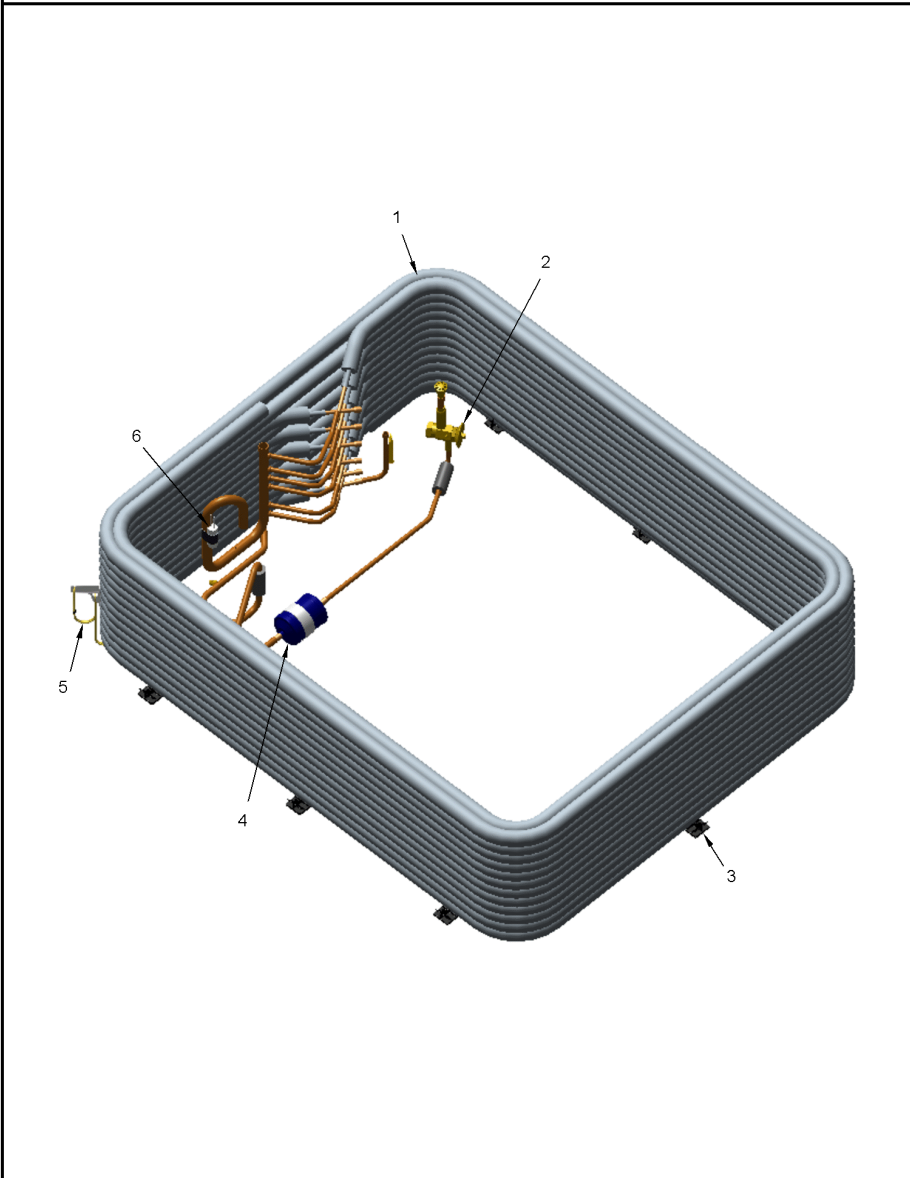
| Part No.                   | Reference No. | Quantity | Description             |
|----------------------------|---------------|----------|-------------------------|
| 75010672_4DCY4UP6_293523~P | *             |          | OUTDOOR COIL PARTS LIST |

OUTDOOR COIL

75010672

REV.  
A

TYPICAL ILLUSTRATION



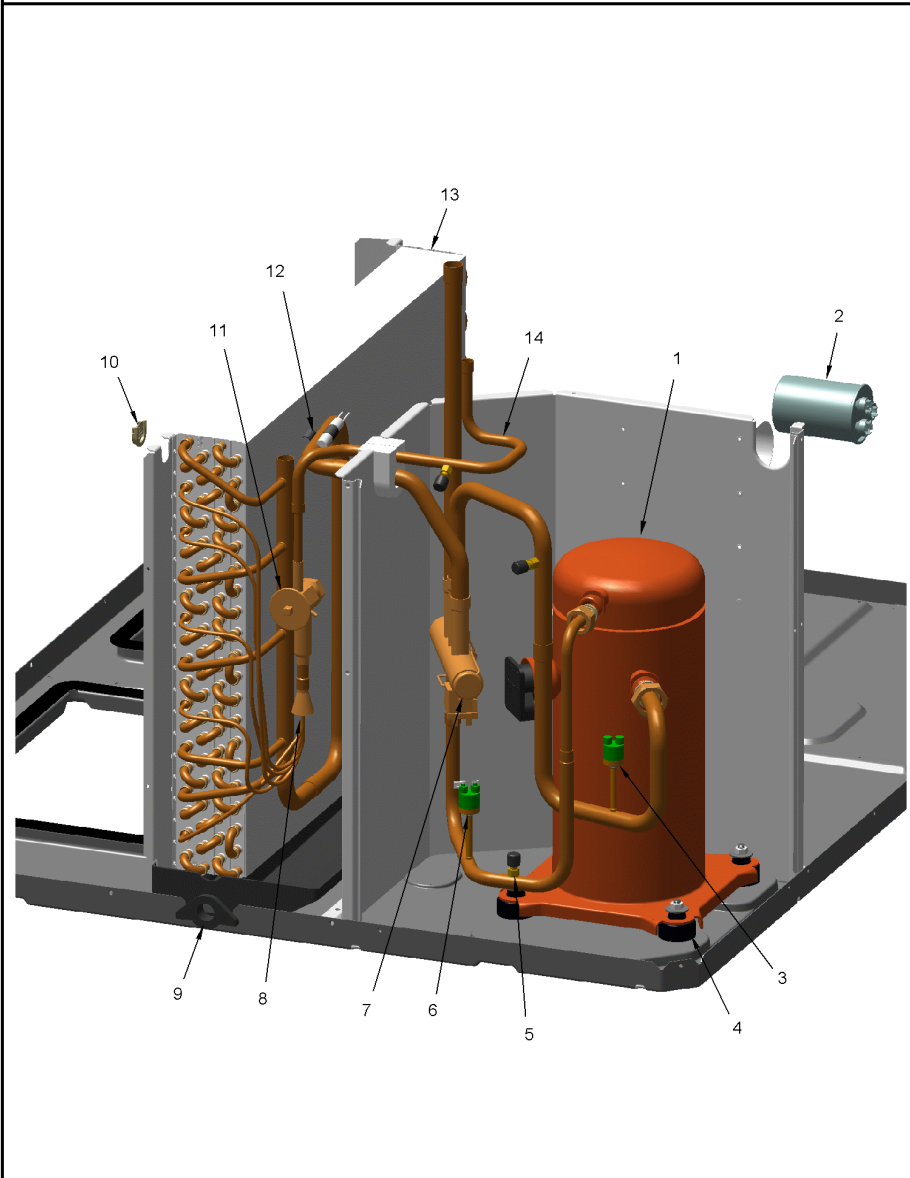
| Part No. | Reference No. | Quantity | Description  |
|----------|---------------|----------|--|
| COL16292 | 1             | 1        | COIL; OUTDOOR, SPINE FIN   |
| DST00897 | 2             | 1        | DISTRIBUTOR; 7 OUTLETS, 19 ODS, .50 ODM INLET, BRASS   |
| VAL08701 | 2             | 1        | VALVE; EXPANSION, 3 TON, 3/8 INLET X 1/2 OUTLET, 92/88 PSIG, R410A   |
| SPC00391 | 3             | 8        | SPACER; OUTDOOR COIL, 2.50 X 1.31. INCLUDES GASKET.  |
| DHY01451 | 4             | 1        | DRIER; BI-FLOW; SERVICE FIRST; 8 CU. IN; DCB083S, 3/8 ODF CONNECTIONS; 2.3 TON CAPACITY; APPROVED FOR MINERAL OIL AND POE OIL REFRIGERANTS; MANUFACTUR |
| SEN01370 | 5             | 1        | SENSOR; ASSEMBLY, 9.75 K RESISTANCE OHMS AT 75 DEG F, YELLOW WIRES, 73 IN AND 75 IN  |
| CLP00296 | 6             | 1        | CLIP; TXV BULB, 7/8 INCH   |

REFRIGERATION

75010704

REV.  
A

TYPICAL ILLUSTRATION



Parts List Number :75010835#4DCY4UP6

Model Number :4DCY4048C1090AA

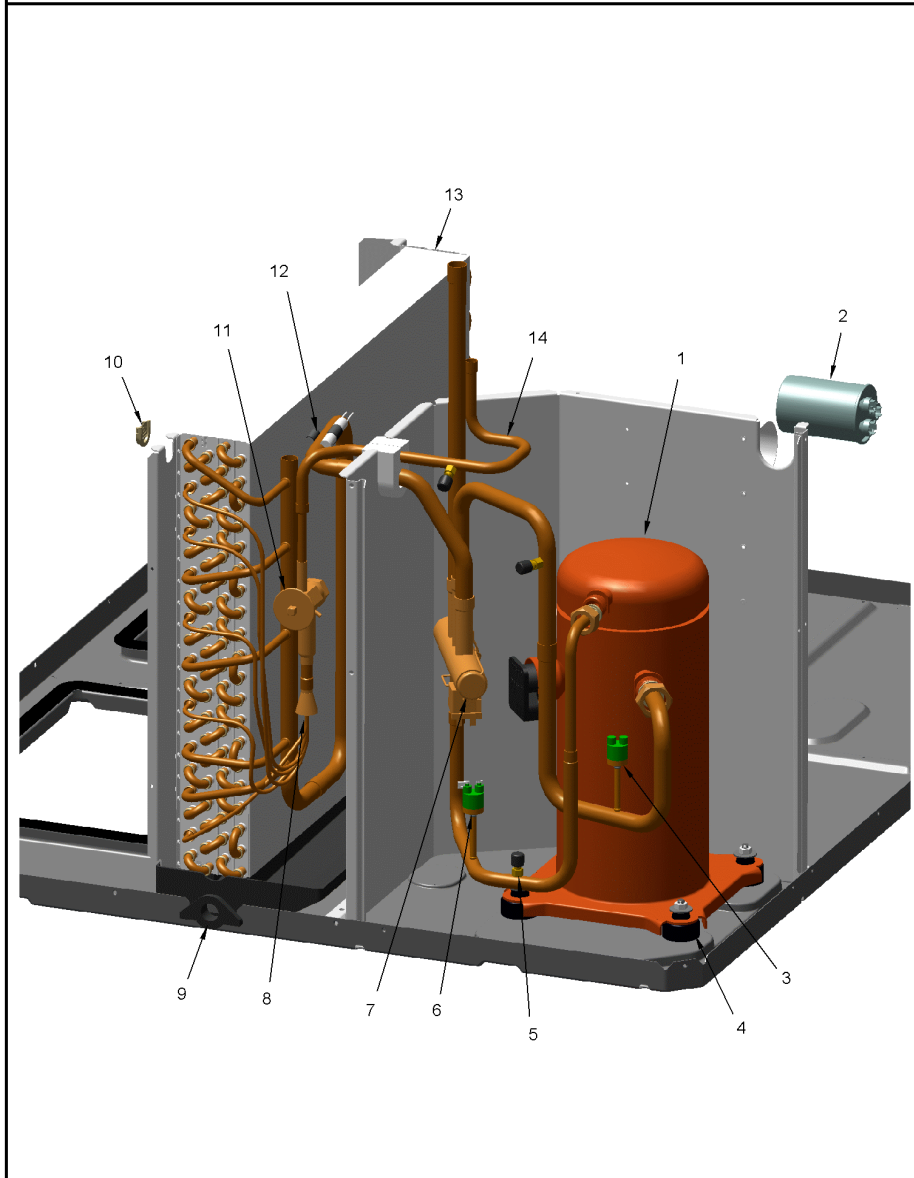
| Part No.                   | Reference No. | Quantity | Description              |
|----------------------------|---------------|----------|--------------------------|
| 75010704_4DCY4UP6_293524-P | *             |          | REFRIGERATION PARTS LIST |

REFRIGERATION

75010704

REV.  
A

TYPICAL ILLUSTRATION



| Part No. | Reference No. | Quantity | Description  |
|----------|---------------|----------|--|
| WIR04495 | *             | 1        | WIRE; PLUG, SCROLL COMPRESSOR, 3-WIRE (BK,OR,RD), 72 IN TOTAL LENGTH               |
| COM09756 | 1             | 1        | COMPRESSOR; SCROLL, SXA042B1BPZ, 3.5 TON, 208-230/60/1, R410A                      |
| CPT01233 | 2             | 1        | CAPACITOR; 70 MFD, 440V, ROUND, W/O RESISTOR                                       |
| SCR01510 | 2             | 2        | SCREW; 10-16 AB HXW 1/2 SN   |
| SRP00093 | 2             | 1        | STRAP;CAPACITOR  |
| SWT03693 | 3             | 1        | SWITCH, LOW PRESSURE, OPEN @ 25 PSIG, CLOSE @ 45 PSIG, 69" LEADS                   |
| BLT00809 | 4             | 4        | BOLT; CARRIAGE, 5/16-18 X 1-3/4  |
| GKT01820 | 4             | 4        | GASKET; 3/4 OD X 7/16 ID X .06 THK   |
| ISR00007 | 4             | 4        | ISOLATOR; VIBRATION  |
| NUT00355 | 4             | 4        | NUT; HEX, LOCK, 5/16IN.-18   |
| NUT00890 | 4             | 4        | NUT; PALLET, 5/16-18 UNC 2B THD.   |
| WAS00638 | 4             | 4        | WASHER; FLAT, 5/16 INCH  |
| BOD00114 | 5             | 3        | BODY; VALVE, BRASS, 7/16 HEX, 7/16 -20 UNF-2A                                      |
| CAP00455 | 5             | 3        | CAP; HUB, 7/16-20 STRAIGHT   |
| COR00103 | 5             | 3        | CORE; VALVE, .79 LENGTH, .206-36 UNS-1 MOD. THD                                    |
| SWT03698 | 6             | 1        | SWITCH; HIGH PRESSURE, SPST, OPEN @ 650 PSIG, CLOSE @ 500 PSIG, 74" LEADS          |
| VAL08884 | 7             | 1        | VALVE; SWITCHOVER, 6 TON, 5/8 IN ODF X 7/8 IDF CONNECTION (INCLUDES SOLENOID COIL) |
| DST00896 | 8             | 1        | DISTRIBUTOR; 6 OUTLETS, 19 ODS, .50 ODM INLET, BRASS                               |
| PAN02889 | 9             | 1        | PAN; DRAIN, BLACK PVC, 35.70 X 7.75  |
| GRM00103 | 10            | 1        | GROMMET; SPLIT, COMPRESSOR   |
| TUB11670 | 11            | 1        | TUBE; ASSEMBLY, INDOOR FLOW CONTROL, R410A   |
| VAL08702 | 11            | 1        | VALVE; EXPANSION, 4 TON, 3/8" INLET X 1/2" OUTLET, 89/85 PSIG, R410A               |
| CLP00296 | 12            | 1        | CLIP; TXV BULB, 7/8 INCH   |
| COL25469 | 13            | 1        | COIL; INDOOR, FLAT FIN   |
| TUB13267 | 14            | 1        | TUBE; LIQUID LINE ASSEMBLY   |

FAN

75010673

REV  
A

TYPICAL ILLUSTRATION



Parts List Number :75010835#4DCY4UP6

Model Number :4DCY4048C1090AA

| Part No.                   | Reference No. | Quantity | Description    |
|----------------------------|---------------|----------|----------------|
| 75010673_4DCY4UP6_270791~P | *             |          | FAN PARTS LIST |

FAN

75010673

REV  
A

TYPICAL ILLUSTRATION



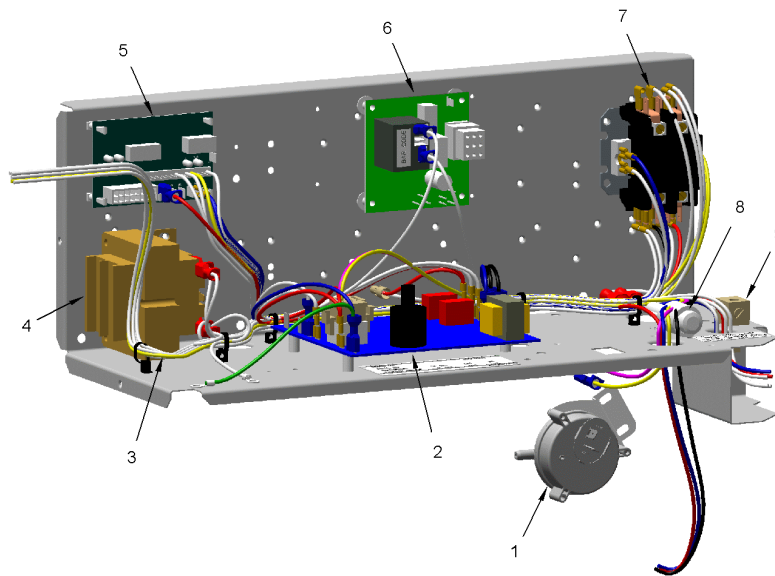
| <b>Part No.</b> | <b>Reference No.</b> | <b>Quantity</b> | <b>Description</b>  |
|-----------------|----------------------|-----------------|---|
| FAN03849        | 1                    | 1               | FAN; SWEPT BLADE, 2 BLADE, ALUMINUM, 28 IN DIA, 30 DEG PITCH, .50 IN BORE, CCW, 1 SET SCREW-STEEL, FINISH/PAINT |
| MOT13833        | 2                    | 1               | MOTOR; OUTDOOR, 1/4 HP, 200-230/60/1, 825 RPM, TYPE PSC, CCW, SLEEVE BEARINGS, 7.5 MFD CPT AT 370V              |
| GRL01530        | 3                    | 1               | GRILL; OUTDOOR FAN, 30.64 IN MOUNTING DIA   |
| SCR02086        | 4                    | 4               | SCREW; 10-32 TR-3 HXW 3/8 S   |
| GRD01440        | 5                    | 1               | GUARD; TROUGH-LEAD  |

CONTROL BOX

75010834

REV.  
A

TYPICAL ILLUSTRATION



Parts List Number :75010835#4DCY4UP6

Model Number :4DCY4048C1090AA

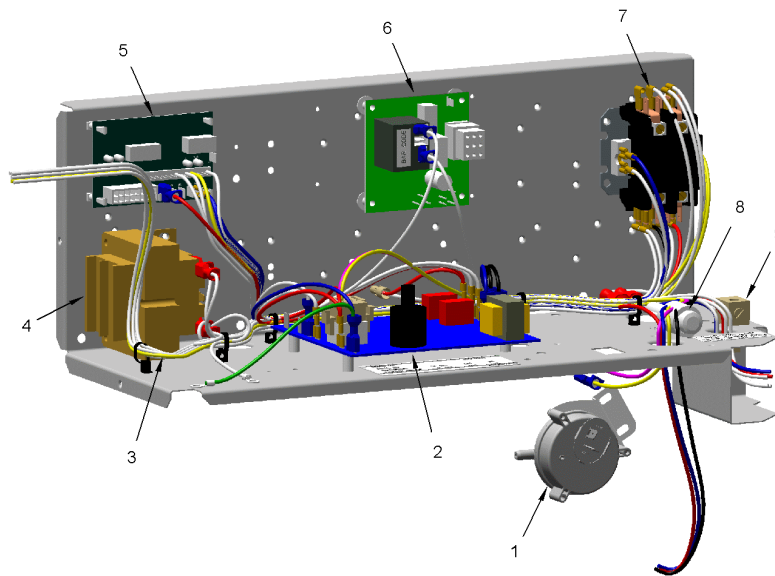
| Part No.                   | Reference No. | Quantity | Description         |
|----------------------------|---------------|----------|---------------------|
| 75010834_4DCY4UP6_293526~P | *             |          | CONTROLS PARTS LIST |

CONTROL BOX

75010834

REV.  
A

TYPICAL ILLUSTRATION



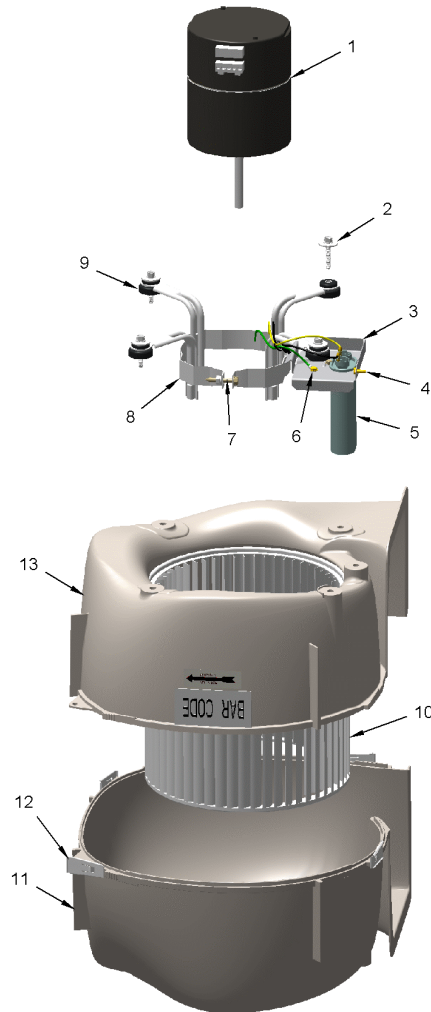
| Part No. | Reference No. | Quantity | Description   |
|----------|---------------|----------|---|
| THT02541 | *             | 1        | THERMOSTAT; LIMIT SWITCH, OPEN AT 125F, CLOSE AT 105F   |
| WIR02151 | *             | 1        | WIRE; HIGH VOLTAGE, 47 IN LENGTH  |
| CNT05641 | 1             | 1        | CONTROL; AIR PRESSURE, SPST, 28VA PILOT DUTY AT 24 VAC, 125VA PILOT DUTY AT 125VAC, SNAP ACTING CONTACTS, OPERATING TEMP RANGE: -40 TO 190F |
| CNT05135 | 2             | 1        | CONTROL; DUAL STAGE, DIRECT SPARK IGNITION MODULE   |
| WIR07819 | 3             | 1        | WIRE; HARNESS, CONTROL  |
| TRR01558 | 4             | 1        | TRANSFORMER; 75VA, 200/230V PRI, 24V SEC, QUICK CONNECTS  |
| CNT03600 | 5             | 1        | CONTROL; ICM FAN, PWB, 16 PIN   |
| CNT04364 | 6             | 1        | CONTROL; DEFROST (USE ON PACKAGED HEAT PUMPS ONLY: 2WC*, 4WC*, 4DC*)  |
| CTR01333 | 7             | 1        | CONTACTOR; 2 POLE, NO, 40 FLA AT 240V, 50/60 HZ, 50 RES AMPS, 24V COIL, 40 FLA AT 277/480/600V  |
| FUS01776 | 8             | 1        | FUSE; 3.2 AMP, WITH HOLDER AND QUICK CONNECTS   |
| LUG00014 | 9             | 1        | LUG, GROUND   |

BLOWER

75010830

REV  
A

TYPICAL ILLUSTRATION



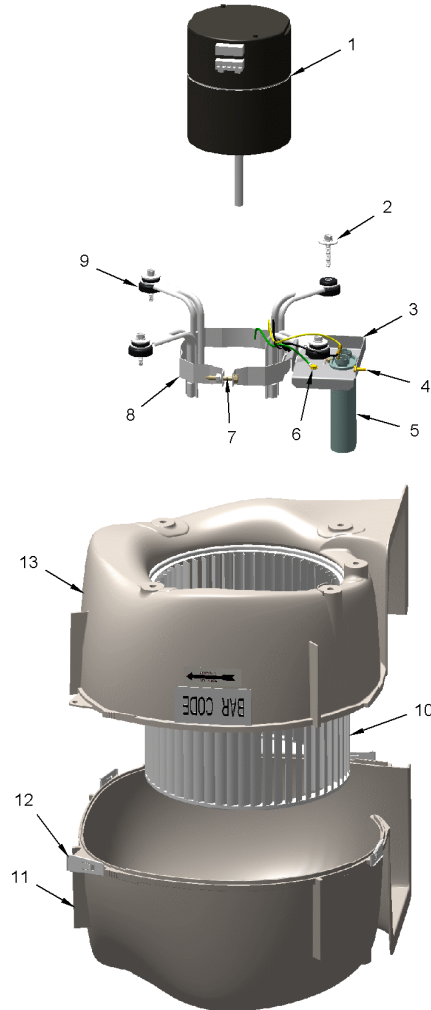
| Part No.                   | Reference No. | Quantity | Description       |
|----------------------------|---------------|----------|-------------------|
| 75010830_4DCY4UP6_293525-P | *             |          | BLOWER PARTS LIST |

BLOWER

75010830

REV  
A

TYPICAL ILLUSTRATION

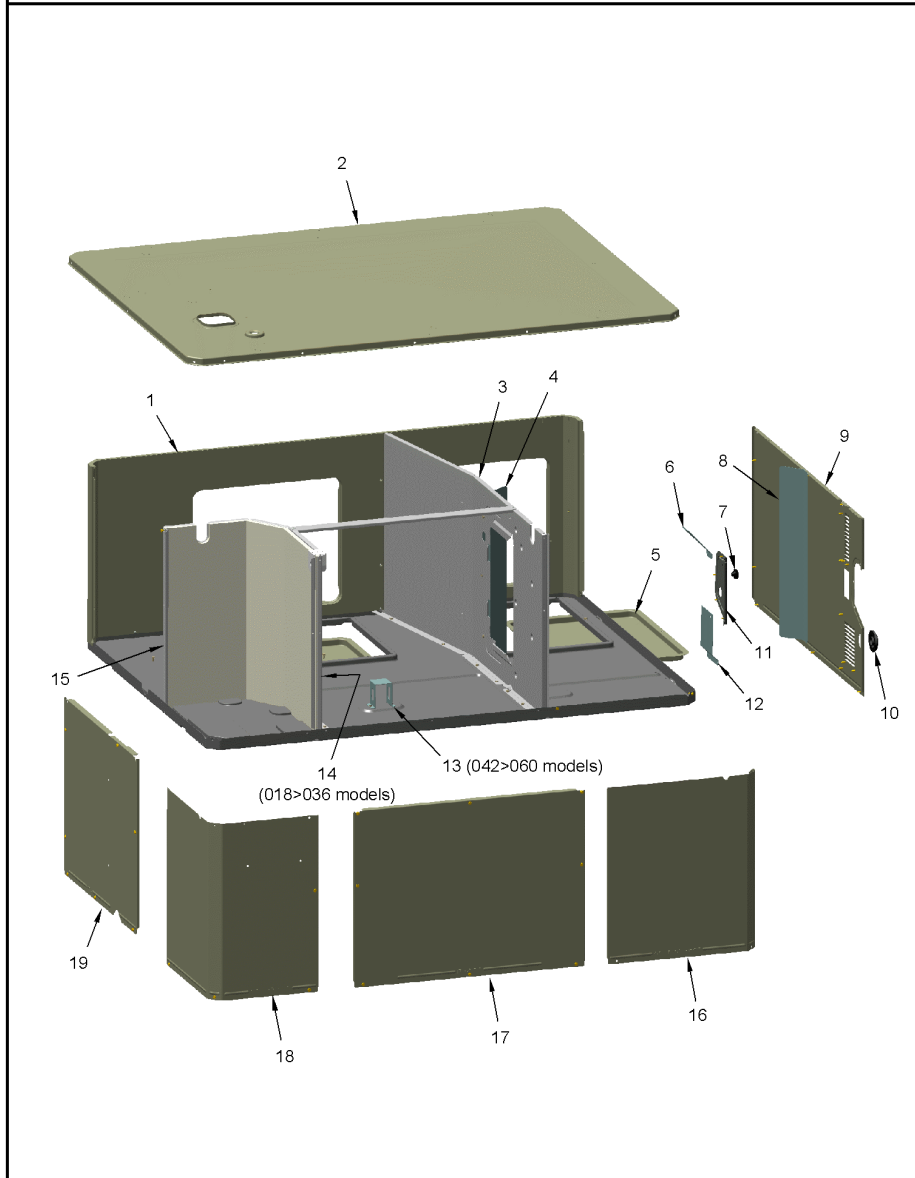


| Part No. | Reference No. | Quantity | Description   |
|----------|---------------|----------|---|
| BLW01385 | *             | 1        | BLOWER; ASSEMBLY, COMPLETE  |
| MOD02276 | 1             | 1        | MODULE; EON, ELECTRONIC MOTOR CONTROL, VARIABLE SPEED PROGRAMMED                                |
| MOT15126 | 1             | 1        | MOTOR; ECM VS MOTOR MODULE SET; 3/4 HP; 115/230 VOLTAGE; PROGRAMMED                             |
| SCR02112 | 2             | 4        | SCREW; ASSEMBLY-MOTOR MOUNT   |
| BRK03543 | 3             | 1        | BRACKET; BLOWER RETAINER, 4.32 X 5.64   |
| SCR00998 | 4             | 1        | SCREW; 10-16 B HXW 1/2 S  |
| CPT00477 | 5             | 1        | CAPACITOR; RUN, 7.5 MFD, 370VAC, OVAL, W/O RESISTOR   |
| SCR00998 | 5             | 1        | SCREW; 10-16 B HXW 1/2 S  |
| SCR00968 | 6             | 1        | SCREW; 10-16 HEX WASHER, TYPE B, THREAD FORMING SCREW, 0.31 THREAD LENGTH, STEEL W/ZINC FINISH  |
| NUT00487 | 7             | 1        | NUT; STEEL HEX, 1/4-20  |
| SCR01584 | 7             | 1        | BOLT; 1/4-20 MA HX 1.5 S  |
| WAS00646 | 7             | 1        | WASHER; STEEL SPRING LOCK, 1/4 INCH   |
| BND00026 | 8             | 1        | BAND; MOTOR MOUNT   |
| BRK03396 | 9             | 4        | BRACKET; ARM-MOTOR  |
| WHL02557 | 10            | 1        | WHEEL; BLOWER, 53 BLADES, CCW, CONCAVE DISC, 11.75 X 10.62                                      |
| HUS03824 | 11            | 1        | HOUSING; BLOWER LEFT SIDE WITH 4 MOUNTING HOLES, MOLDED GLASS FIBER POLYESTER, COLOR: NATURAL   |
| CLP01088 | 12            | 4        | CLIP; CLEAT-BLOWER  |
| HUS03825 | 13            | 1        | HOUSING; BLOWER RIGHT SIDE WITHOUT MOUNTING HOLES, MOLDED GLASS FIBER POLYESTER, COLOR: NATURAL |

CABINET  
LOWER - INDOOR  
TYPICAL ILLUSTRATION

75010752

REV  
A



Parts List Number :75010835#4DCY4UP6

Model Number :4DCY4048C1090AA

| Part No.                   | Reference No. | Quantity | Description                |
|----------------------------|---------------|----------|----------------------------|
| 75010752_4DCY4UP6_203223~P | *             |          | CABINET - LOWER PARTS LIST |

CABINET  
LOWER - INDOOR  
TYPICAL ILLUSTRATION

75010752

REV.  
A

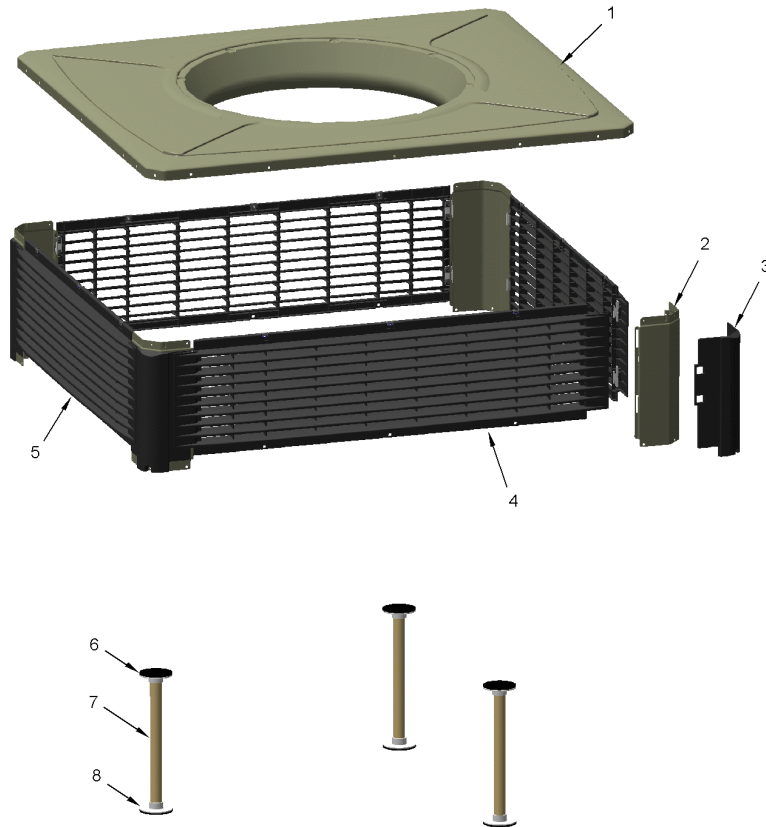


| Part No. | Reference No. | Quantity | Description   |
|----------|---------------|----------|---|
| PAI00074 | *             | 1        | PAINT; SPRAY, SLATE GREY, FULL GLOSS(88) (SHIPPING UOM 12 OZ HAZ) |
| PLT04289 | *             | 1        | PLATE; APPEARANCE, TRANE, XL14C, 9.0 X 1.8                        |
| SCR01510 | *             | 48       | SCREW; 10-16 AB HXW 1/2 SN  |
| PNL32043 | 1             | 1        | PANEL; SUPPLY AND RETURN, 58.13 X 20.88                           |
| COV04900 | 2             | 1        | COVER; TOP, INDOOR, 58.33 X 44.08                                 |
| PNL26625 | 3             | 1        | PANEL; BLOWER BARRIER, 44.05 X 21.15                              |
| BAF01248 | 4             | 1        | BAFFLE; AIR, 18 IN HIGH   |
| COV04902 | 5             | 2        | COVER; SUPPLY AND RETURN, 17.88 X 14.88                           |
| SHD00397 | 6             | 1        | SHIELD; LOUVER, TOP, 5.0 X 1.9                                    |
| GRM00118 | 7             | 1        | GROMMET; 3/16 IN ID, NEOPRENE                                     |
| BAF01392 | 8             | 1        | BAFFLE; AIR, 20.00 X 3.68   |
| GRM00129 | 8             | 2        | GROMMET; SCREW  |
| PNL32045 | 9             | 1        | PANEL; GAS HEAT, 39.00 X 20.90                                    |
| BUS00616 | 10            | 1        | BUSHING; 1.62 DIA   |
| PNL22042 | 11            | 1        | PANEL; GAS HEAT, 7.81 X 4.50                                      |
| SCR01511 | 11            | 4        | SCREW; 10-16 B HXW 1/2 S  |
| SHD00424 | 12            | 1        | SHIELD; LOUVER, BOTTOM, 6.0 X 4.0                                 |
| BRK03544 | 13            | 1        | BRACKET; BLOWER SUPPORT, U-SHAPED, 3.00 X 2.00 X 2.83             |
| PNL28755 | 15            | 1        | PANEL; COMPRESSOR BARRIER, 27.22 W X 21.15 H                      |
| PNL22000 | 16            | 1        | PANEL; CONTROL/HEAT ACCESS, 17.93 X 20.70                         |
| PNL22014 | 17            | 1        | PANEL; BLOWER ACCESS, 27.36 X 20.70                               |
| PNL21998 | 18            | 1        | PANEL; COMPRESSOR ACCESS, 20.7 X 12.7 & 20.7 X 15.5               |
| PNL22040 | 19            | 1        | PANEL; INDOOR COIL ACCESS, 25.42 X 20.70                          |

CABINET  
UPPER-OUTDOOR  
TYPICAL ILLUSTRATION

75010828

REV.  
A



Parts List Number :75010835#4DCY4UP6

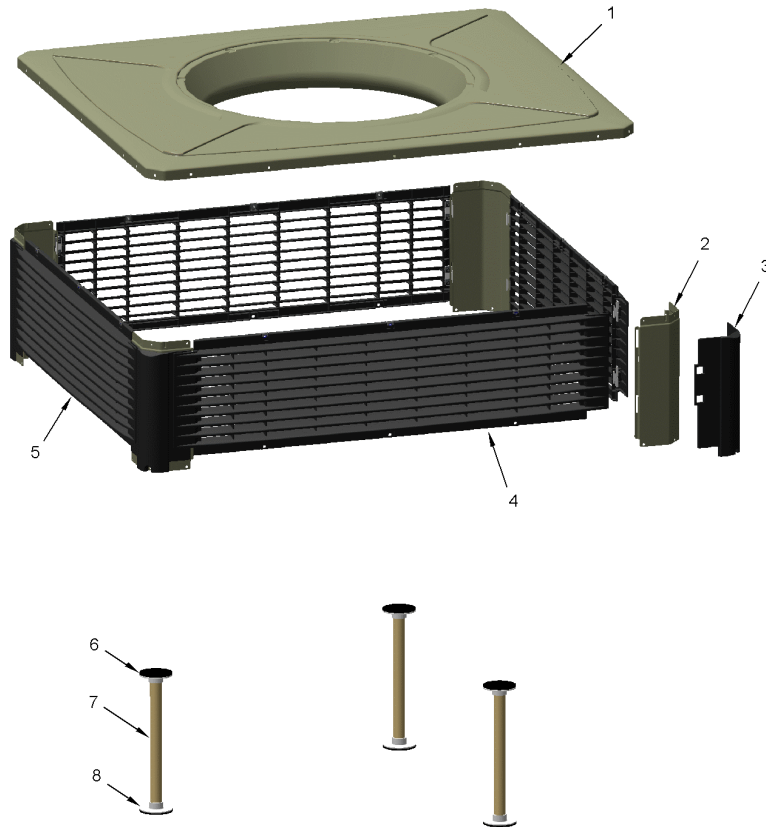
Model Number :4DCY4048C1090AA

| Part No.                   | Reference No. | Quantity | Description                |
|----------------------------|---------------|----------|----------------------------|
| 75010828_4DCY4UP6_270794-P | *             |          | CABINET - UPPER PARTS LIST |

CABINET  
UPPER-OUTDOOR  
TYPICAL ILLUSTRATION

75010828

REV.  
A



Parts List Number :75010835#4DCY4UP6

Model Number :4DCY4048C1090AA

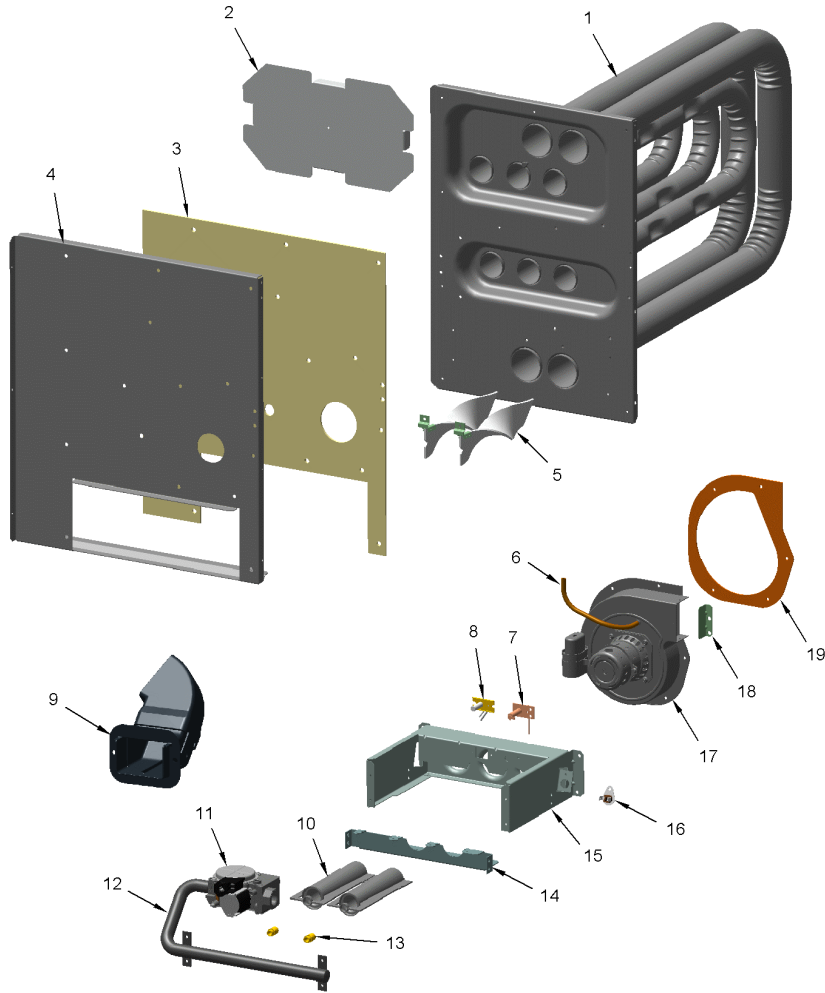
| Part No. | Reference No. | Quantity | Description   |
|----------|---------------|----------|---|
| SCR01510 | *             | 12       | SCREW; 10-16 AB HXW 1/2 SN  |
| SCR02108 | *             | 12       | SCREW; SCR 10-16 AB HXW 5/8 S   |
| COV03695 | 1             | 1        | COVER; OUTDOOR, TOP, 58.33 X 44.08  |
| PNL22002 | 2             | 4        | PANEL; CORNER POST, 13.84 H   |
| GRD01907 | 3             | 4        | GUARD; BUMPER, UPPER CORNER, 12.81 H X 6.83 W                                     |
| PNL22190 | 4             | 2        | PANEL; PLASTIC LOUVER, 53.12 X 13.40 - INCLUDES SPEED NUTS AND MOUNTING BRACKETS. |
| PNL22186 | 5             | 2        | PANEL; PLASTIC LOUVER, 38.86 X 13.40 - INCLUDES SPEED NUTS AND MOUNTING BRACKETS. |
| SUP05919 | 6             | 3        | SUPPORT; OUTDOOR COIL, 3.0 DIA, WITH GASKET                                       |
| TUB12284 | 7             | 3        | TUBE; SUPPORT, TOP PIPE, .75 DIA, SCHEDULE 40 GREY PVC, 14.46 INCHES              |
| SUP05918 | 8             | 3        | SUPPORT; OUTDOOR COIL, 3.0 DIA, WITH GASKET                                       |

HEAT

75010755

REV.  
A

TYPICAL ILLUSTRATION



Parts List Number :75010835#4DCY4UP6

Model Number :4DCY4048C1090AA

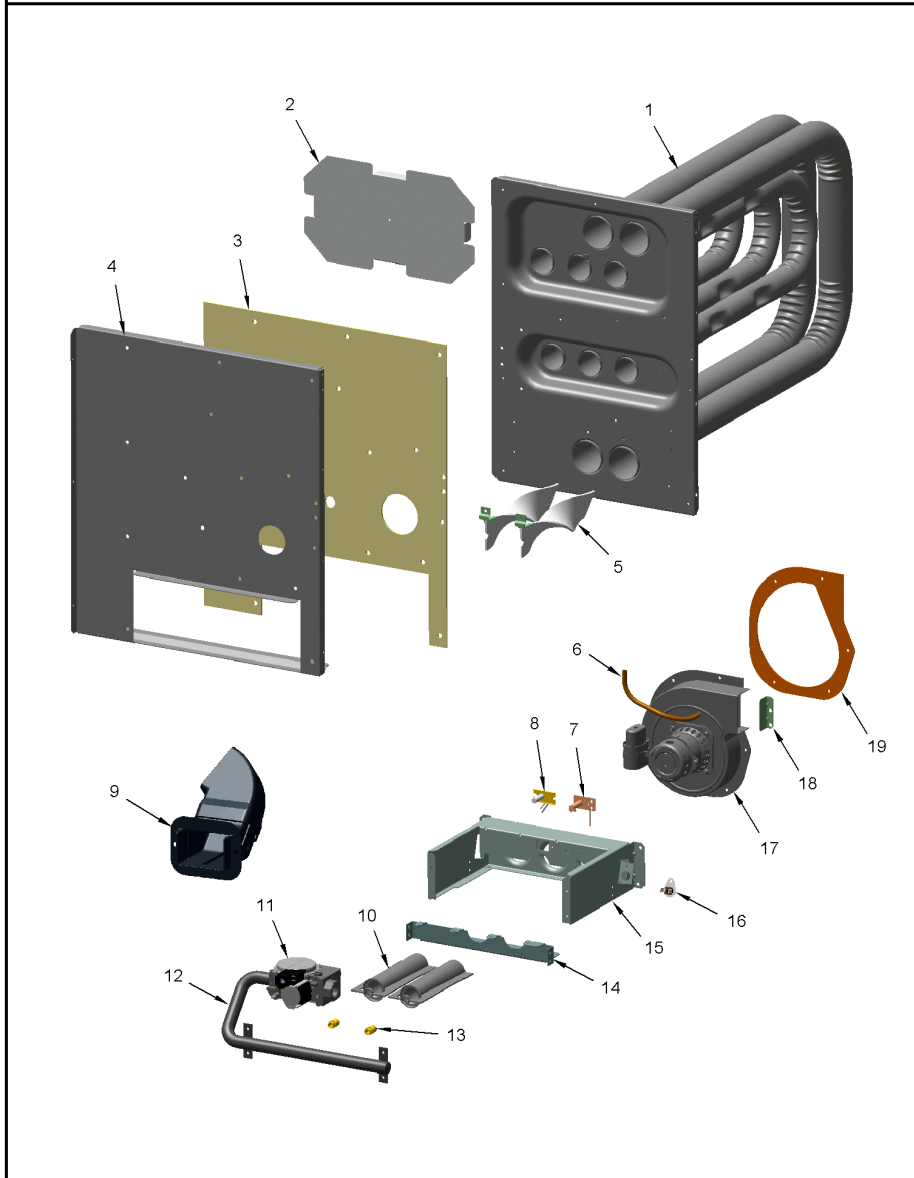
| Part No.                   | Reference No. | Quantity | Description     |
|----------------------------|---------------|----------|-----------------|
| 75010755_4DCY4UP6_270793~P | *             |          | HEAT PARTS LIST |

HEAT

75010755

REV  
A

TYPICAL ILLUSTRATION



| Part No. | Reference No. | Quantity | Description  |
|----------|---------------|----------|--|
| EXC02603 | 1             | 1        | EXCHANGER; HEAT  |
| SHD00398 | 2             | 1        | SHIELD; HEAT, STAINLESS STEEL, 12.77 X 7.32  |
| GKT04063 | 3             | 1        | GASKET; COLLECTOR BOX, 20.96 X 14.82   |
| BOF01930 | 4             | 1        | BLOCKOFF; BARRIER-GAS HEAT, 21.16 X 18.30  |
| BRK03603 | 5             | 3        | BRACKET; TURBULATOR  |
| SCR00998 | 5             | 3        | SCREW; 10-16 B HXW 1/2 S   |
| TRB00121 | 5             | 3        | TURBULATOR; AND BRACKET ASSEMBLY   |
| TUB05375 | 6             | 1        | TUBE; CONNECTING PRESSURE SW, 3/16 ID X 9 IN LENGTH                                      |
| SEN00297 | 7             | 1        | SENSOR; FLAME  |
| IGN00135 | 8             | 1        | IGNITER; ELECTRODE, 22 INCH LEAD   |
| HOD00519 | 9             | 1        | HOOD; ASSEMBLY, FLUE   |
| BNR01071 | 10            | 3        | BURNER; 0.60 ID INSHOT BURNER, 0.036 THK 304 STAINLESS STEEL                             |
| VAL09034 | 11            | 1        | VALVE; GAS, 2 STAGE, 1/2-14 NPT, 24V, 50/60 HZ, "J" SERIES                               |
| MFD01334 | 12            | 1        | MANIFOLD; ASSEMBLY-GAS, INCLUDES (3) ORF01406  |
| ORF01406 | 13            | 3        | ORIFICE; GAS, .1040 DIA, # 37 DRILL, SPUD  |
| RTR00983 | 14            | 1        | RETAINER; BURNER, 10.65 L  |
| BRK04542 | 15            | 1        | BRACKET; BURNER  |
| SWT02945 | 16            | 1        | SWITCH; TEMP, 200 OPEN/CLOSE MANUAL, 25 AMP AT 240V, 125V PILOT DUTY, STAINLESS STEEL    |
| BLW01379 | 17            | 1        | BLOWER; INDUCER, 208-230/60/1, 2945 RPM, 2 MFD CPT AT 370 VAC, DOES NOT INCLUDE GKT04075 |
| RSR00357 | 18            | 1        | RESTRICTOR; FLUE OUTLET, 2.20 L X 0.50 W X 0.62 H  |
| GKT04075 | 19            | 1        | GASKET; INDUCER BLOWER   |



| Part No.                   | Reference No. | Quantity | Description                         |
|----------------------------|---------------|----------|-------------------------------------|
| 75008692_4DCY4UP6_203220~P | *             |          | MODEL NUMBER DESCRIPTION PARTS LIST |



OPTIONAL EQUIPMENT

Parts List Number :75010835#4DCY4UP6

Model Number :4DCY4048C1090AA

| Part No.                       | Reference No. | Quantity | Description                   |
|--------------------------------|---------------|----------|-------------------------------|
| NGRAPHIC_4DCY4UP6_270798-<br>P | *             |          | OPTIONAL EQUIPMENT PARTS LIST |

NO GRAPHIC AVAILABLE

75013702

REV  
A

**NO  
GRAPHIC  
AVAILABLE**

| Part No.       | Reference No. | Quantity | Description  |
|----------------|---------------|----------|--|
| BAYACCDOR2A    | *             | 1        | KIT; ACCESS DOOR, 3-1/2 TO 5 TON MODELS (BAYACCDOR2AA)   |
| BAYADAP052A    | *             | 1        | KIT; CURB ADAPTER (BAYADAP052AA)   |
| BAYADAP053A    | *             | 1        | KIT; CURB ADAPTER (BAYADAP053AA)   |
| BAYADAP054A    | *             | 1        | KIT; CURB ADAPTER (BAYADAP054AA)   |
| BAYCCHT102A    | *             | 1        | KIT; CRANKCASE HEATER, 230V SCROLL COMPRESSORS (BAYCCHT102AA) 6.5-7.5 DIA, 60W, 110L   |
| BAYCOVR112A    | *             | 1        | KIT; 12 INCH DUCT SHROUD COVERS HORIZONTAL (BAYCOVR112AA)  |
| BAYCOVR118A    | *             | 1        | KIT; 18 INCH DUCT SHROUD COVERS HORIZONTAL (BAYCOVR118AA)  |
| BAYCURB051A    | *             | 1        | KIT; FULL PERIMETER ROOF MOUNTING CURB (BAYCURB051AA)  |
| BAYDMPR102A    | *             | 1        | KIT; OUTSIDE AIR, 2 POS DAMPER (BAYDMPR102AA)  |
| BAYECON102A    | *             | 1        | ECONOMIZER; DOWN DISCHARGE, AND RAIN HOOD(BAYECON102AA)  |
| BAYECON201A    | *             | 1        | ECONOMIZER; HORIZONTAL (BAYECON201AA)  |
| BAYECONCOMB102 | *             | 1        | ECONOMIZER KIT   |
| BAYENTH001A    | *             | 1        | KIT; ENTHALPY CONTROL (BAYENTH001AB)   |
| BAYEXMK001A    | *             | 1        | KIT; EXTREME CONDITION MOUNTING KIT, USED WITH BAYCURB   |
| BAYEXMK002B    | *             | 1        | KIT; EXTREME CONDITION MOUNTING KIT, USED WITH BAYUTIL   |
| BAYEXMK003A    | *             | 1        | KIT; EXTREME CONDITION MOUNTING KIT, SLAB MOUNTING   |
| BAYFLTR201C    | *             | 1        | FILTER; FRAME ONLY, REQUIRES ONE 18X20 AND 18X18 FILTER WHICH ARE NOT INCLUDED. WHEN USING A BAYACCDOR2A, TWO 18X20 FILTERS ARE REQUIRED |
| BAYLIFT002B    | *             | 1        | KIT; LIFTING LUGS-BAYLIFT002B (CTN = 6 PIECES)   |
| BAYLOAM105A    | *             | 1        | KIT; LOW AMBIENT COOLING, HEAD PRESSURE CONTROL (BAYLOAM105AA)   |
| BAYLPKT101A    | *             | 1        | KIT; LP CONVERSION (BAYLPKT101AA)  |
| BAYOSAH002A    | *             | 1        | KIT; OUTSIDE AIR, MANUAL DAMPER (BAYOSAH002AA)   |
| BAYQSTK301A    | *             | 1        | KIT; QUICK START (BAYQSTK301AA)  |
| BAYRLAY004A    | *             | 1        | RELAY; KIT (BAYRLAY004AA)  |
| BAYSQRD002A    | *             | 1        | KIT; SQUARE/ROUND DUCT ADAPTER (BAYSQRD002AB)  |
| BAYUV102A      | *             | 1        | 36 WATT UV LIGHT KIT FOR MEDIUM PACKAGED UNITS   |
| KIT15326       | *             | 1        | KIT; ROOF CURB UTILITY EXTENSION KIT (BAYUTIL102BA)  |
| THT00839       | *             | 1        | THERMOSTAT; REMOTE POTENTIOMETER, 60-90 DEG F (BAYSTAT023AA)   |
| TMR00140       | *             | 1        | TIMER; ANTISHORT CYCLE (BAYASCT001)  |