

General Assembly

75008387

REV
A

Typical illustration. Unit may not appear exactly as shown.



Part No.	Reference No.	Quantity	Description
75008387_4DCY4UP5_148488~P	*		4DCY4UP5 PARTS LIST
75008694#4DCY4UP5~S	*		BLOWER
75008397#4DCY4UP5~S	*		CABINET
75008708#4DCY4UP5~S	*		CONTROLS
75005599#4DCY4UP5~S	*		FAN
75008400#4DCY4UP5~S	*		HEAT
75008692#4DCY4UP5~S	*		MODEL NOMENCLATURE
NGRAPHIC#4DCY4UP5~S	*		OPTIONAL FIELD INSTALLED ACCESSORIES
75008353#4DCY4UP5~S	*		REFRIGERATION

General Assembly

75008387

REV
A

Typical illustration. Unit may not appear exactly as shown.

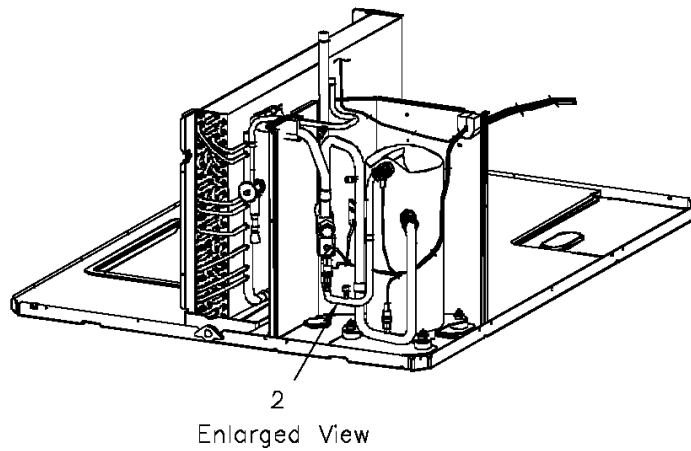
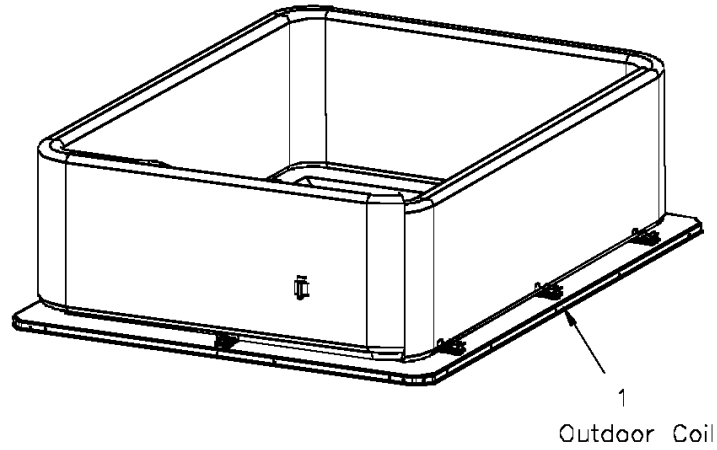


Refrigeration

75008353

REV
A

Typical illustration. Unit may not appear exactly as shown.



Parts List Number :75008387#4DCY4UP5

Model Number :4DCY4048A3096CA

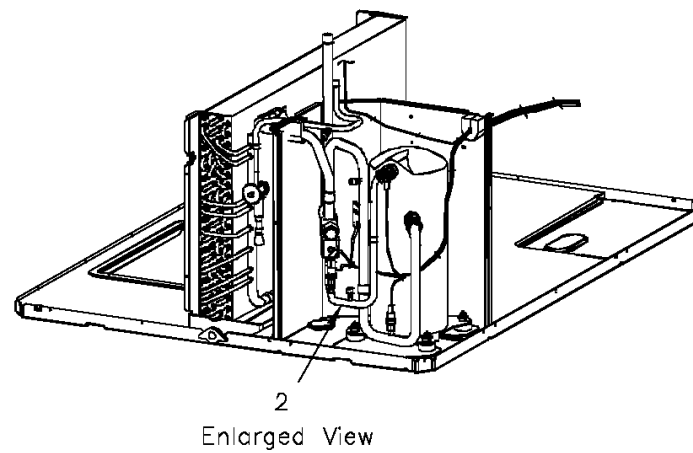
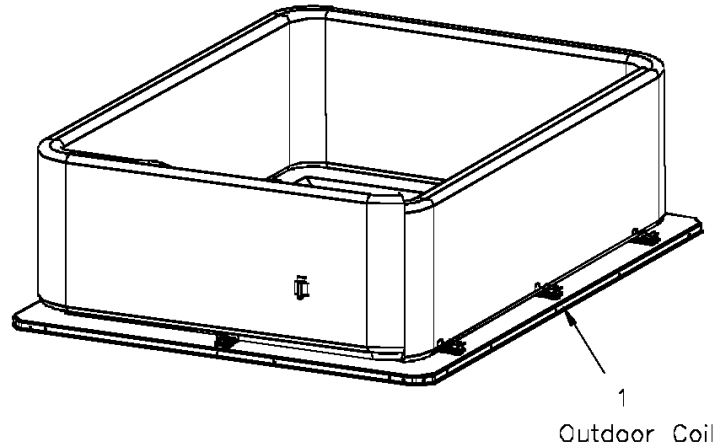
Part No.	Reference No.	Quantity	Description
75009976#4DCY4UP5~S	*		ENLARGED VIEW
75008354#4DCY4UP5~S	*		OUTDOOR COIL
75008353_4DCY4UP5_148490~P	*		REFRIGERATION PARTS LIST

Refrigeration

75008353

REV
A

Typical illustration. Unit may not appear exactly as shown.

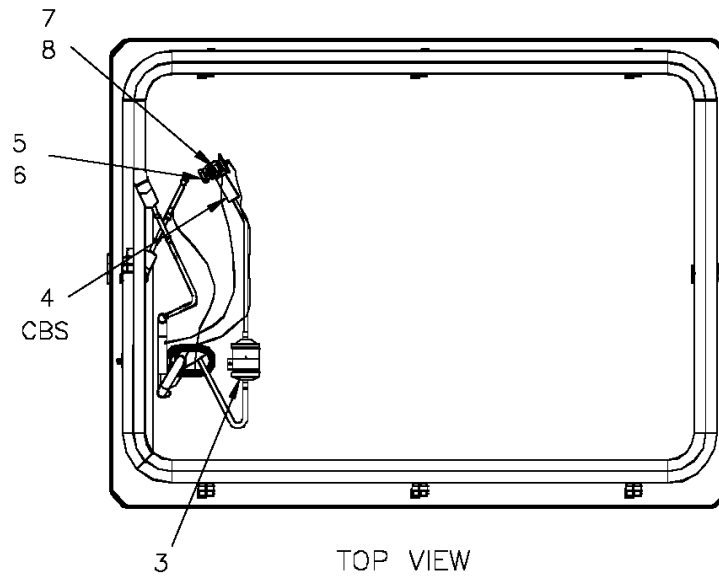
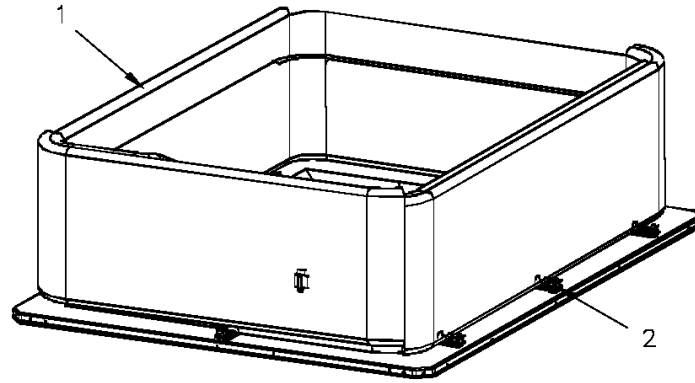


Outdoor Coil

75008354

REV
A

Typical illustration. Unit may not appear exactly as shown.



OUTDOOR COIL

Parts List Number :75008387#4DCY4UP5

Model Number :4DCY4048A3096CA

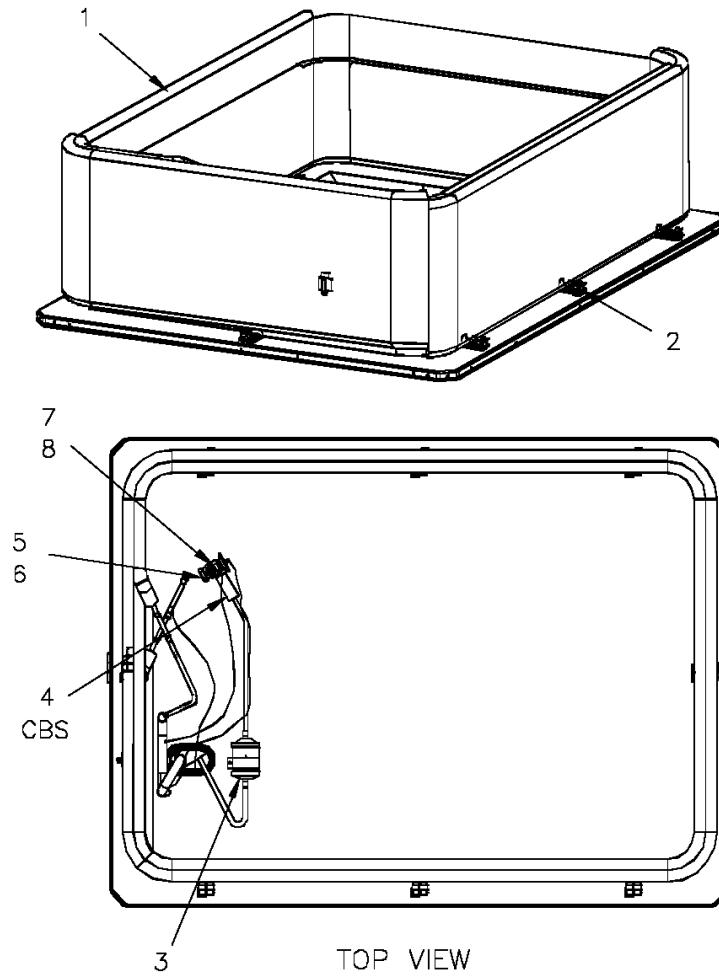
Part No.	Reference No.	Quantity	Description
75008354_4DCY4UP5_190891~P	*		OUTDOOR COIL PARTS LIST

Outdoor Coil

75008354

REV
A

Typical illustration. Unit may not appear exactly as shown.



Part No.	Reference No.	Quantity	Description
COL18976	1	1	COIL; OUTDOOR, SPINE FIN
SPC00391	2	8	SPACER; OUTDOOR COIL, 2.50 X 1.31. INCLUDES GASKET.
DHY01451	3	1	DRIER; BI-FLOW; SERVICE FIRST; 8 CU. IN; DCB083S, 3/8 ODF CONNECTIONS; 2.3 TON CAPACITY; APPROVED FOR MINERAL OIL AND POE OIL REFRIGERANTS; MANUFACTUR
SEN01370	4	1	SENSOR; ASSEMBLY, 9.75 K RESISTANCE OHMS AT 75 DEG F, YELLOW WIRES, 73 IN AND 75 IN
TUB11680	5	1	TUBE; ASSEMBLY, FLOW CONTROL, R410A
VAL08701	6	1	VALVE; EXPANSION, 3 TON, 3/8 INLET X 1/2 OUTLET, 92/88 PSIG, R410A
TUB11604	7	1	TUBE; ASSEMBLY, OUTDOOR DISTRIBUTOR
DST00897	8	1	DISTRIBUTOR; 7 OUTLETS, 19 ODS, .50 ODM INLET, BRASS

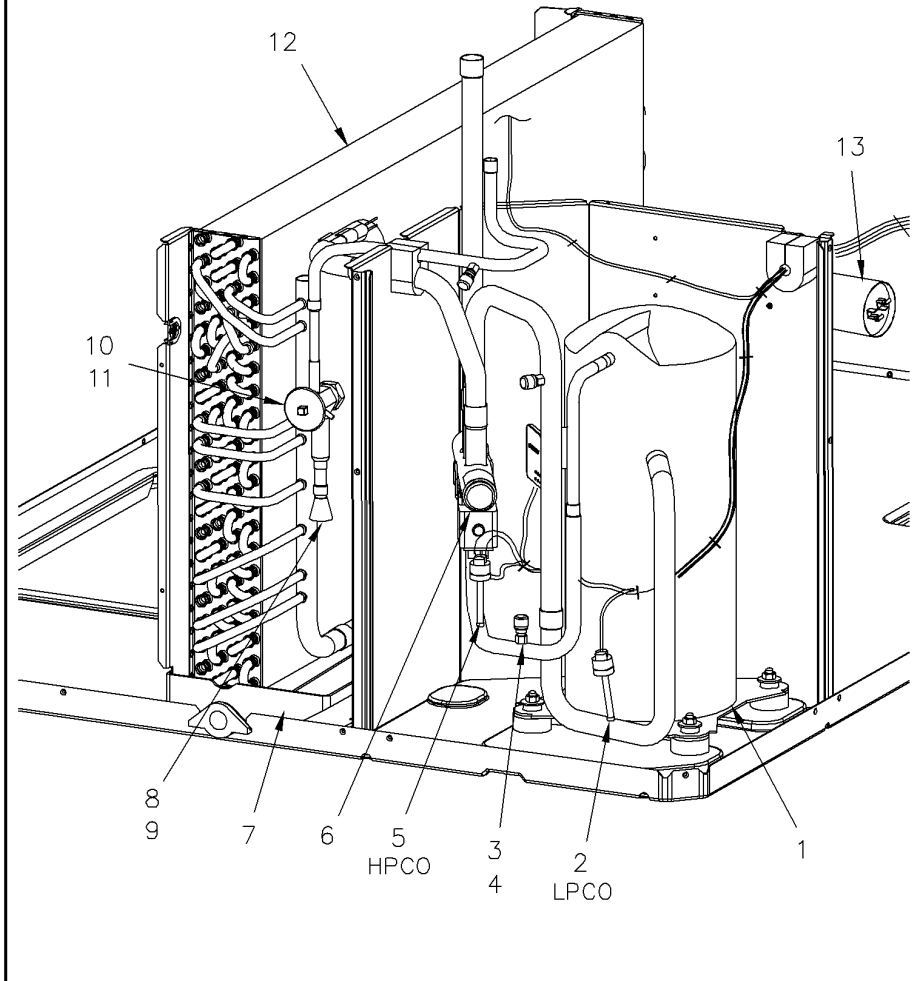
Refrigeration

75009976

REV
A

enlarged view

Typical illustration. Unit may not appear exactly as shown.



Parts List Number :75008387#4DCY4UP5

Model Number :4DCY4048A3096CA

Part No.	Reference No.	Quantity	Description
75009976_4DCY4UP5_299942~P	*		ENLARGED VIEW PARTS LIST

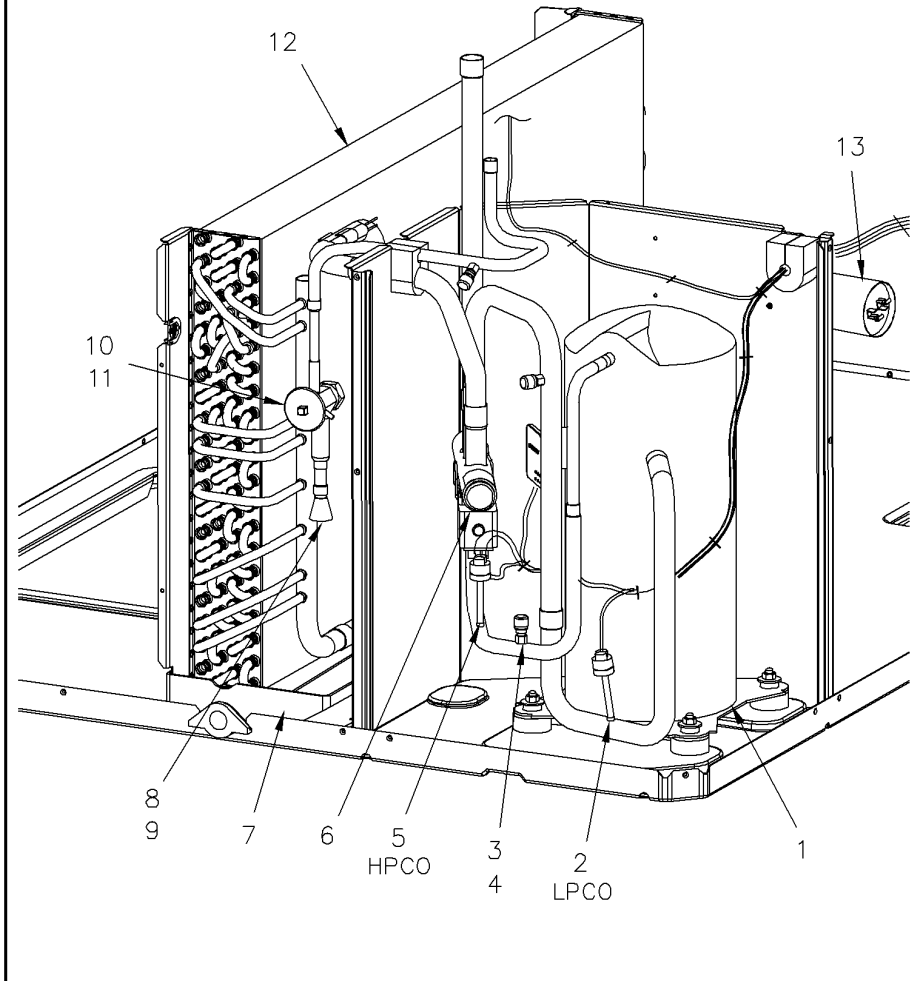
Refrigeration

75009976

REV
A

enlarged view

Typical illustration. Unit may not appear exactly as shown.



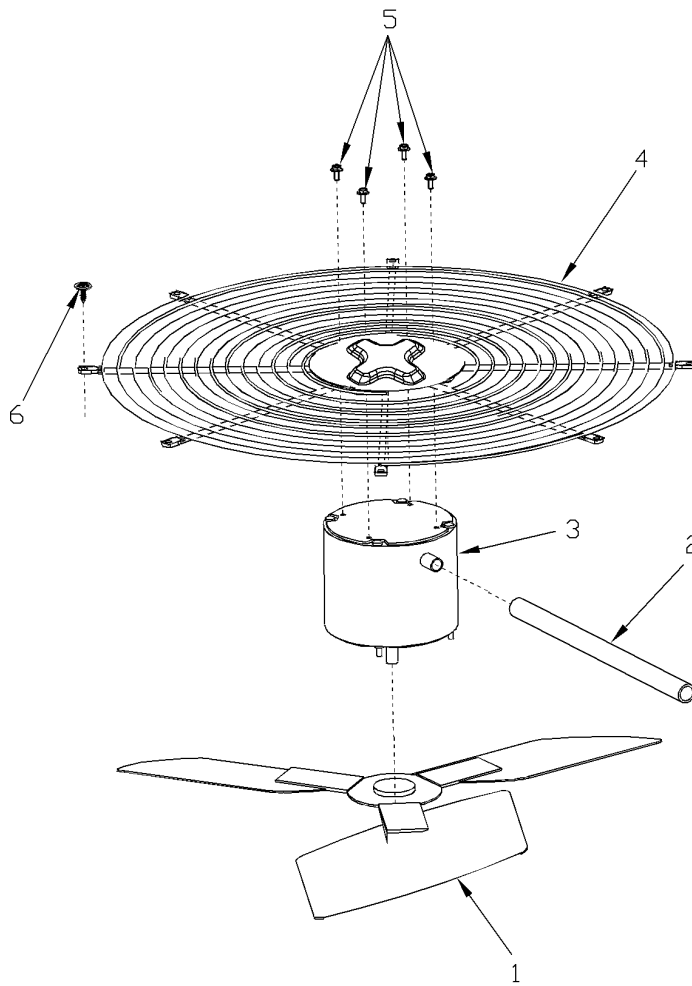
Part No.	Reference No.	Quantity	Description
BLT00809	*	4	BOLT; CARRIAGE, 5/16-18 X 1-3/4
BOD00114	*	3	BODY; VALVE, BRASS, 7/16 HEX, 7/16 -20 UNF-2A
ISR00007	*	4	ISOLATOR; VIBRATION
NUT00355	*	4	NUT; HEX, LOCK, 5/16IN.-18
NUT00890	*	4	NUT; PALLET, 5/16-18 UNC 2B THD.
WAS00638	*	4	WASHER; FLAT, 5/16 INCH
WIR04496	*	1	WIRE; PLUG, SCROLL COMPRESSOR
COM10275	1	1	COMPRESSOR; SCROLL; ALLIANCE; R-410A; 3.5 TON (42,000 BTU/H); 208-230/3/60; 3/4"S X 1/2"D STUB CONNECTIONS; USES OIL00094; ALLIANCE SXA042B3BPZ
SWT03693	2	1	SWITCH, LOW PRESSURE, OPEN @ 25 PSIG, CLOSE @ 45 PSIG, 69" LEADS
COR00103	3	3	CORE; VALVE, .79 LENGTH, .206-36 UNS-1 MOD. THD
CAP00455	4	3	CAP; HUB, 7/16-20 STRAIGHT
SWT03698	5	1	SWITCH; HIGH PRESSURE, SPST, OPEN @ 650 PSIG, CLOSE @ 500 PSIG, 74" LEADS
VAL08884	6	1	VALVE; SWITCHOVER, 6 TON, 5/8 IN ODF X 7/8 IDF CONNECTION (INCLUDES SOLENOID COIL)
PAN02889	7	1	PAN; DRAIN, BLACK PVC, 35.70 X 7.75
TUB11600	8	1	TUBE; ASSEMBLY, INDOOR DISTRIBUTOR
DST00896	9	1	DISTRIBUTOR; 6 OUTLETS, 19 ODS, .50 ODM INLET, BRASS
TUB11670	10	1	TUBE; ASSEMBLY, INDOOR FLOW CONTROL, R410A
VAL08702	11	1	VALVE; EXPANSION, 4 TON, 3/8" INLET X 1/2" OUTLET, 89/85 PSIG, R410A
COL13354	12	1	COIL; INDOOR, FLAT FIN, 3 ROW
CPT00477	13	1	CAPACITOR; RUN, 7.5 MFD, 370VAC, OVAL, W/O RESISTOR

FAN

75005599

REV
A

Typical Illustration. Unit may not appear exactly as shown.



Parts List Number :75008387#4DCY4UP5

Model Number :4DCY4048A3096CA

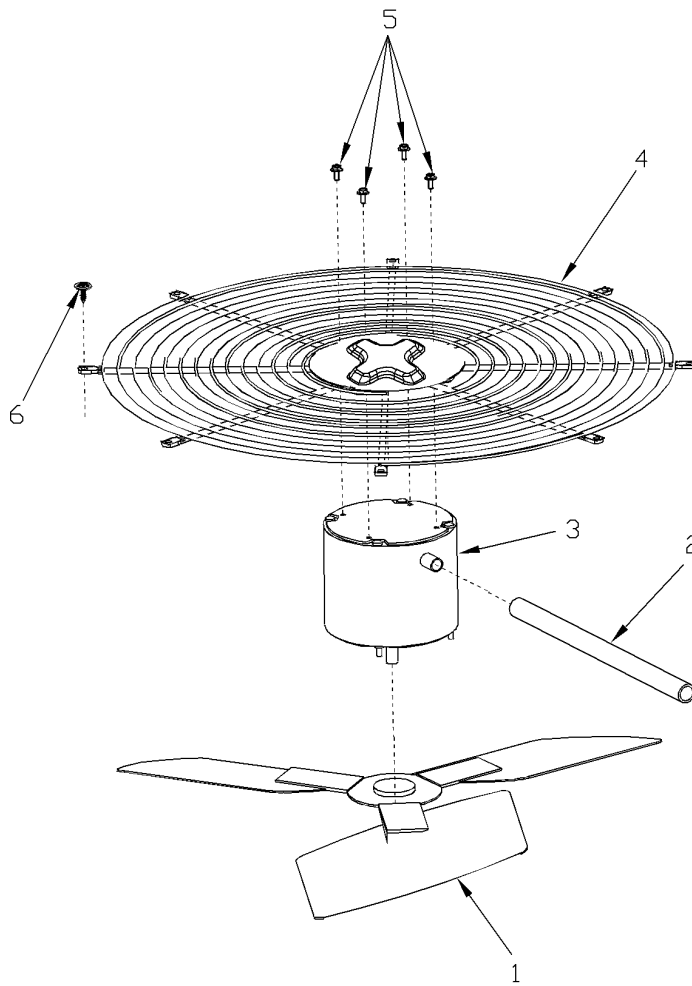
Part No.	Reference No.	Quantity	Description
75005599_4DCY4UP5_190890~P	*		FAN PARTS LIST

FAN

75005599

REV
A

Typical Illustration. Unit may not appear exactly as shown.



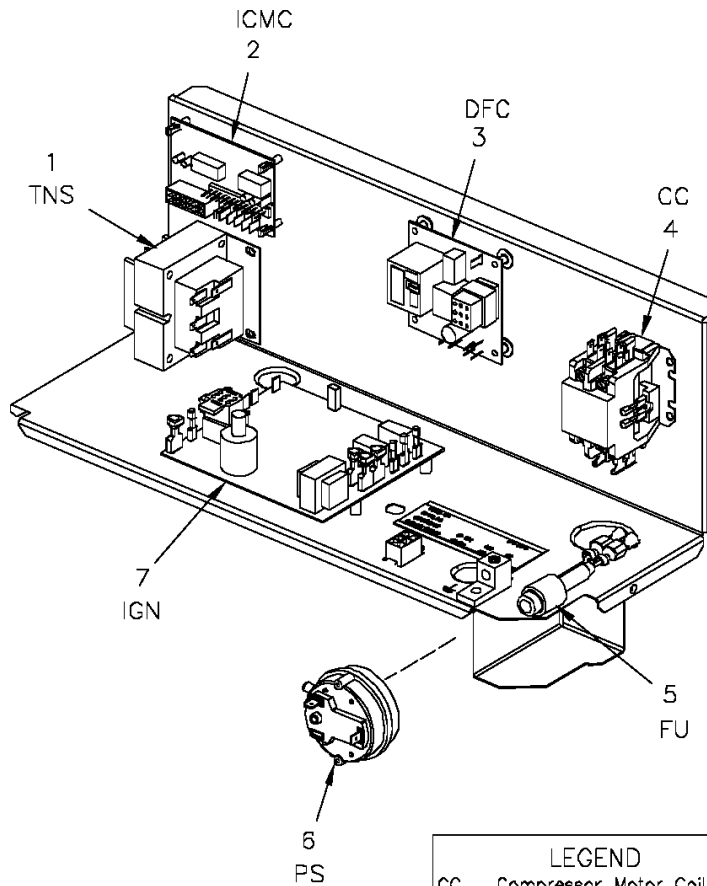
Part No.	Reference No.	Quantity	Description
FAN03849	1	1	FAN; SWEPT BLADE, 2 BLADE, ALUMINUM, 28 IN DIA, 30 DEG PITCH, .50 IN BORE, CCW, 1 SET SCREW-STEEL, FINISH/PAINT
GRD01440	2	1	GUARD; TROUGH-LEAD
MOT13833	3	1	MOTOR; OUTDOOR, 1/4 HP, 200-230/60/1, 825 RPM, TYPE PSC, CCW, SLEEVE BEARINGS, 7.5 MFD CPT AT 370V
GRL01530	4	1	GRILL; OUTDOOR FAN, 30.64 IN MOUNTING DIA
SCR02086	5	4	SCREW; 10-32 TR-3 HXW 3/8 S

Controls

75008708

REV
A

Typical illustration. Unit may not appear exactly as shown.



LEGEND	
CC	Compressor Motor Coil
DFC	Defrost Control
FU	Fuse
ICMC	Integrated Commuted Motor Control
IGN	Ignition Control Module
PS	Pressure Switch
TNS	Transformer

Parts List Number :75008387#4DCY4UP5

Model Number :4DCY4048A3096CA

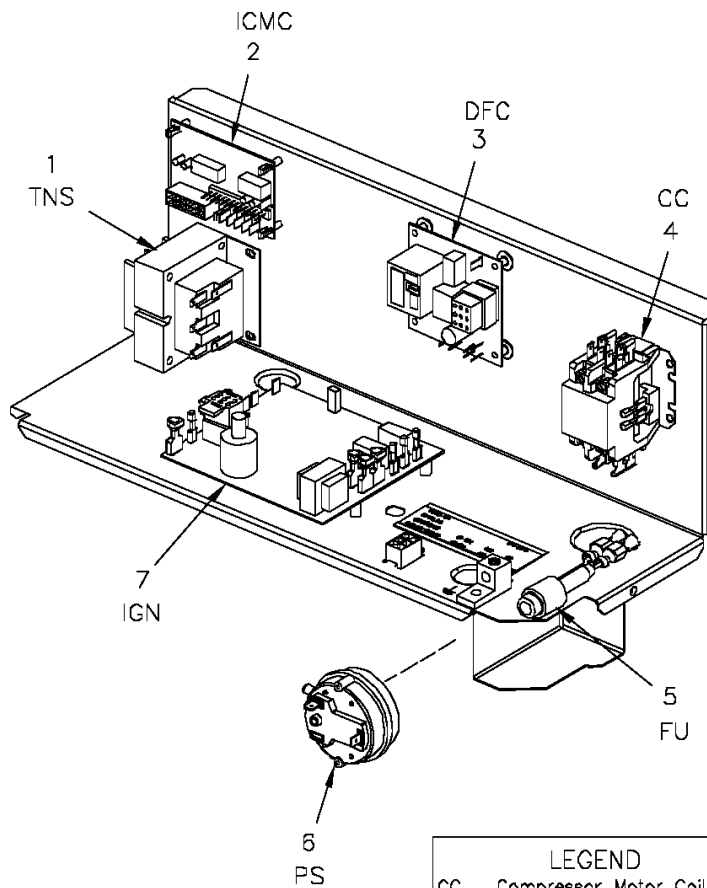
Part No.	Reference No.	Quantity	Description
75008708_4DCY4UP5_148509~P	*		CONTROLS PARTS LIST

Controls

75008708

REV
A

Typical illustration. Unit may not appear exactly as shown.



LEGEND

CC	Compressor Motor Coil
DFC	Defrost Control
FU	Fuse
ICMC	Integrated Commuted Motor Control
IGN	Ignition Control Module
PS	Pressure Switch
TNS	Transformer

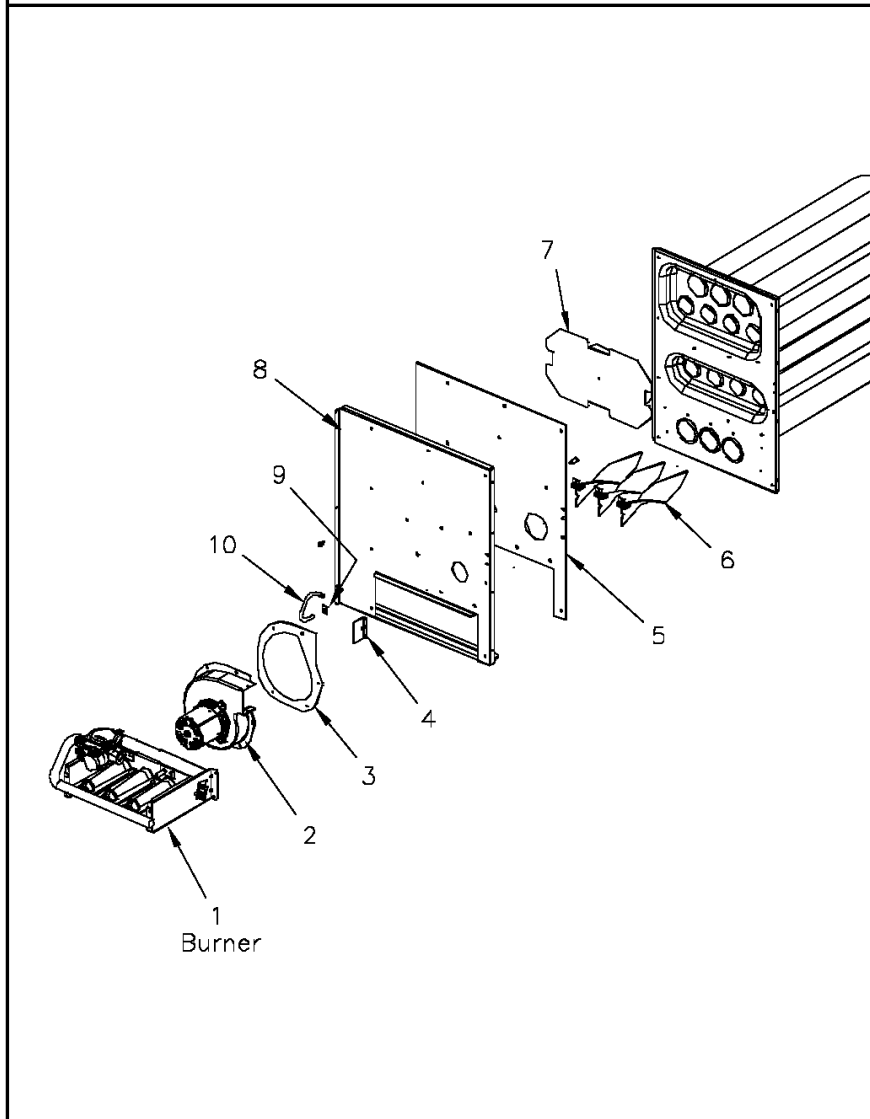
Part No.	Reference No.	Quantity	Description
LUG00014	*	1	LUG, GROUND
SEN01510	*	1	SENSOR; ASSEMBLY-AMBIENT, 83/85 IN LENGTH WIRES
WIR04337	*	1	WIRE; HARNESS, ICM-LOW VOLTAGE. INCLUDES (2) PLU00538.
WIR04339	*	1	WIRE; HARNESS, ICM-HIGH VOLTAGE. INCLUDES (1) CON00371.
WIR07818	*	1	WIRE; HARNESS, CONTROL
TRR01558	1	1	TRANSFORMER; 75VA, 200/230V PRI, 24V SEC, QUICK CONNECTS
CNT03600	2	1	CONTROL; ICM FAN, PWB, 16 PIN
CNT04364	3	1	CONTROL; DEFROST (USE ON PACKAGED HEAT PUMPS ONLY: 2WC*, 4WC*, 4DC*)
CTR01333	4	1	CONTACTOR; 2 POLE, NO, 40 FLA AT 240V, 50/60 HZ, 50 RES AMPS, 24V COIL, 40 FLA AT 277/480/600V
FUS01776	5	1	FUSE; 3.2 AMP, WITH HOLDER AND QUICK CONNECTS
CNT05641	6	1	CONTROL; AIR PRESSURE, SPST, 28VA PILOT DUTY AT 24 VAC, 125VA PILOT DUTY AT 125VAC, SNAP ACTING CONTACTS, OPERATING TEMP RANGE: -40 TO 190F
CNT05135	7	1	CONTROL; DUAL STAGE, DIRECT SPARK IGNITION MODULE

Heat

75008400

REV
A

Typical illustration. Unit may not appear exactly as shown.



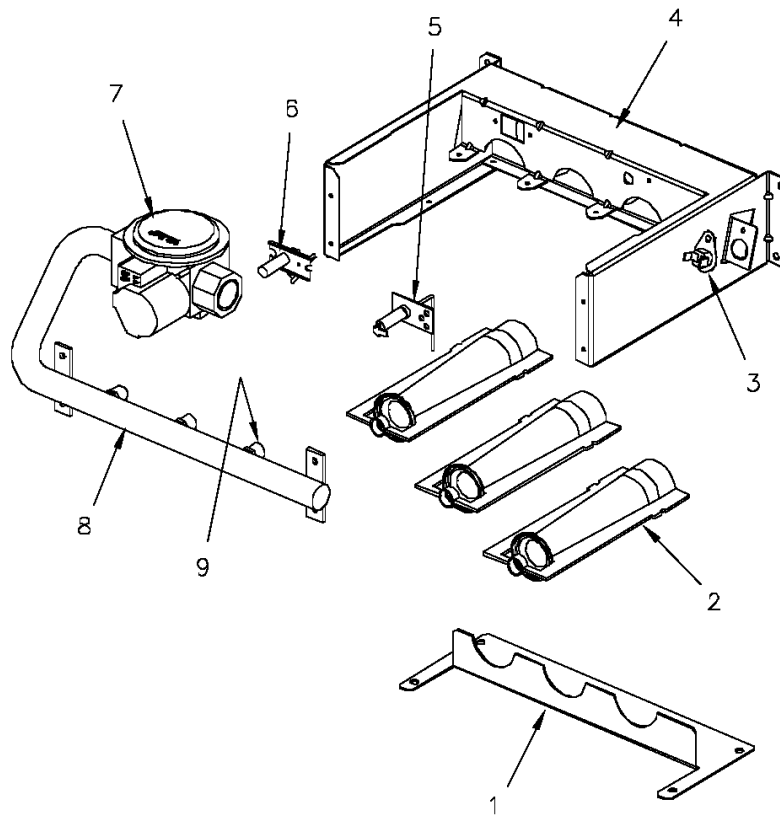
Part No.	Reference No.	Quantity	Description
75008704#4DCY4UP5~S	*		BURNER
75008400_4DCY4UP5_299943~P	*		HEAT PARTS LIST

Burner

75008704

REV
A

Typical illustration. Unit may not appear exactly as shown.



Parts List Number :75008387#4DCY4UP5

Model Number :4DCY4048A3096CA

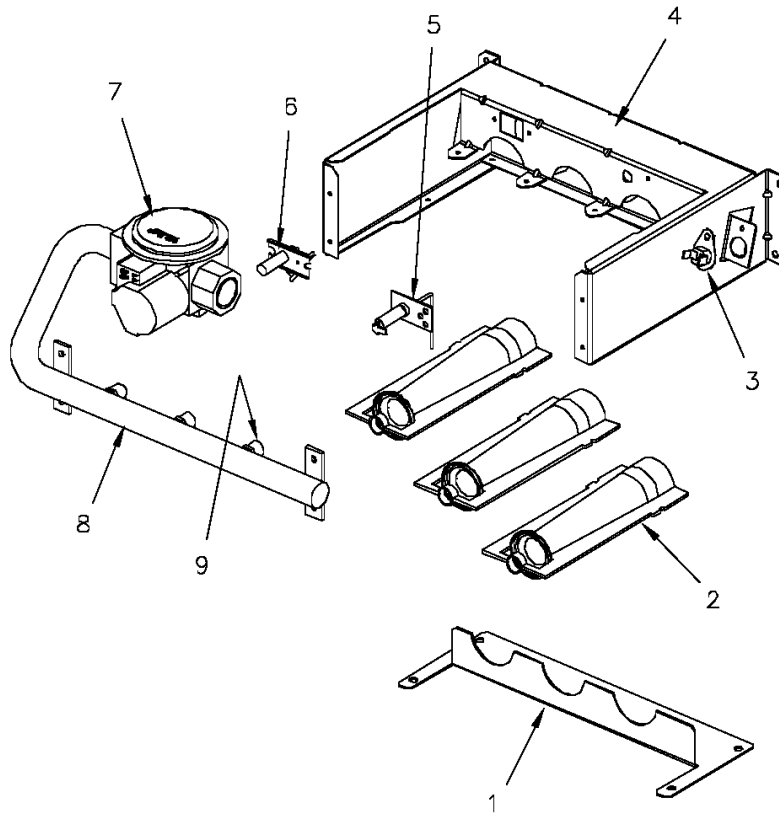
Part No.	Reference No.	Quantity	Description
75008704_4DCY4UP5_190895-P	*		BURNER PARTS LIST

Burner

75008704

REV
A

Typical illustration. Unit may not appear exactly as shown.



Parts List Number :75008387#4DCY4UP5

Model Number :4DCY4048A3096CA

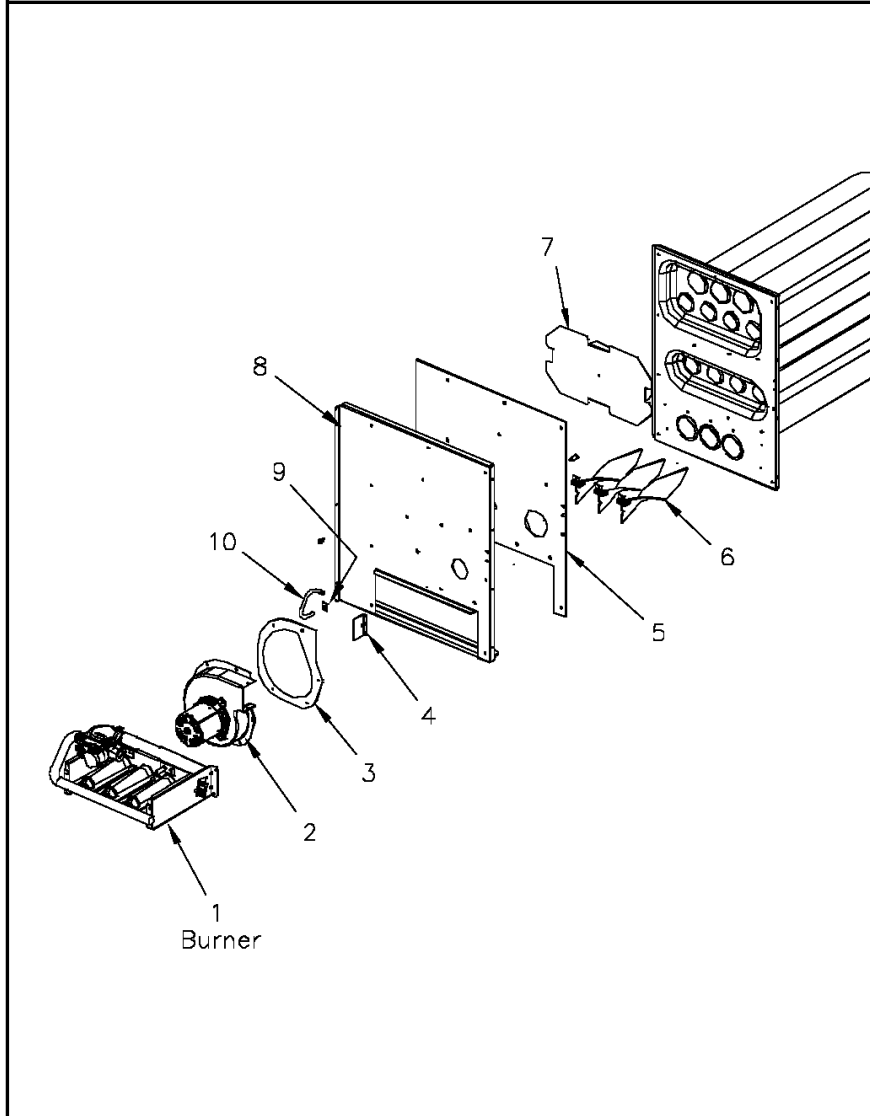
Part No.	Reference No.	Quantity	Description
RTR00833	1	1	RETAINER; BURNER, 10.53 L
BNR01071	2	3	BURNER; 0.60 ID INSHOT BURNER, 0.036 THK 304 STAINLESS STEEL
SWT02945	3	1	SWITCH; TEMP, 200 OPEN/CLOSE MANUAL, 25 AMP AT 240V, 125V PILOT DUTY, STAINLESS STEEL
BRK03606	4	1	BRACKET; BURNER
SEN00297	5	1	SENSOR; FLAME
IGN00135	6	1	IGNITER; ELECTRODE, 22 INCH LEAD
VAL09034	7	1	VALVE; GAS, 2 STAGE, 1/2-14 NPT, 24V, 50/60 HZ, "J" SERIES
MFD01334	8	1	MANIFOLD; ASSEMBLY-GAS, INCLUDES (3) ORF01406
ORF01406	9	3	ORIFICE; GAS, .1040 DIA, # 37 DRILL, SPUD

Heat

75008400

REV
A

Typical illustration. Unit may not appear exactly as shown.



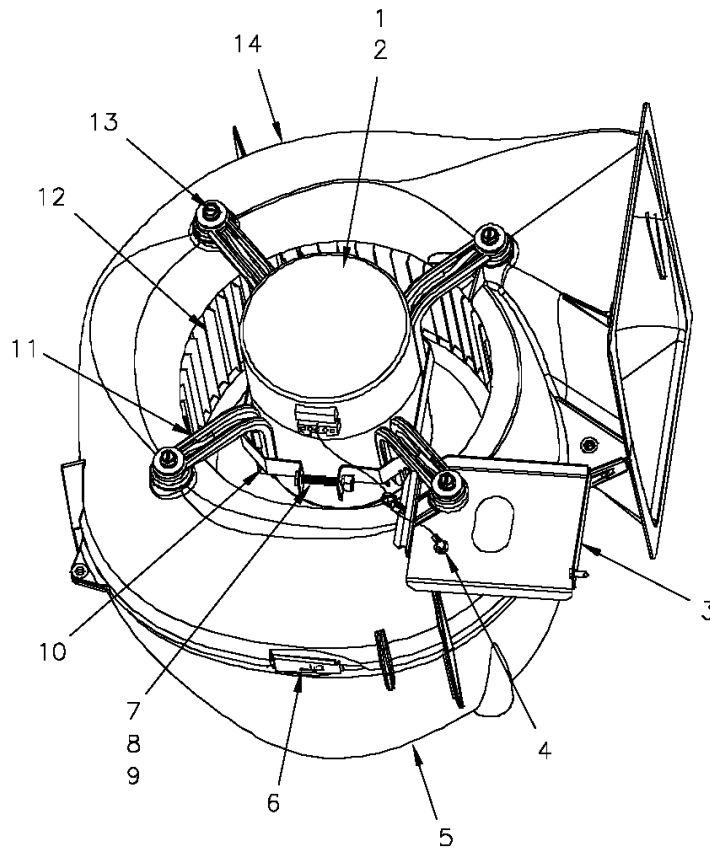
Part No.	Reference No.	Quantity	Description
BRK03603	*	3	BRACKET; TURBULATOR
EXC02002	*	1	EXCHANGER; HEAT
THT02542	*	1	THERMOSTAT; LIMIT SWITCH, OPEN AT 130F, CLOSE AT 110F
WEL00848	*	1	WELL; BULB, TAP, STATIC, 1.0 LENGTH X 0.50 OD X 0.281 OD X 0.125 ID
BLW01311	2	1	BLOWER; INDUCER, 208-230/60/1, 2800/1500 RPM, 1/39 HP, 0.25 AMPS, 2 MFD CPT AT 370 VAC, 3 PIN CONNECTOR, INCLUDES GKT04075.
GKT04075	3	1	GASKET; INDUCER BLOWER
RSR00215	4	1	RESTRICTOR; FLUE OUTLET
GKT04063	5	1	GASKET; COLLECTOR BOX, 20.96 X 14.82
TRB00121	6	3	TURBULATOR; AND BRACKET ASSEMBLY
SHD00398	7	1	SHIELD; HEAT, STAINLESS STEEL, 12.77 X 7.32
BOF01930	8	1	BLOCKOFF; BARRIER-GAS HEAT, 21.16 X 18.30
CLP00940	9	1	CLIP; STATIC, RETAINER, .80 X .56 X .022
TUB05375	10	1	TUBE; CONNECTING PRESSURE SW, 3/16 ID X 9 IN LENGTH

Blower

75008694

REV
A

Typical illustration. Unit may not appear exactly as shown.



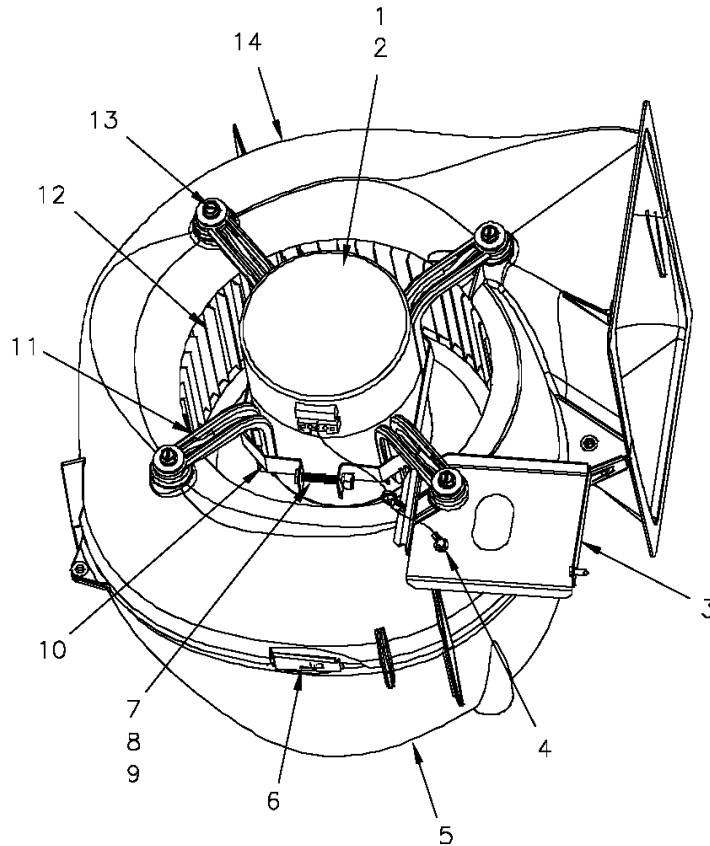
Part No.	Reference No.	Quantity	Description
75008694_4DCY4UP5_299944-P	*		BLOWER PARTS LIST

Blower

75008694

REV
A

Typical illustration. Unit may not appear exactly as shown.



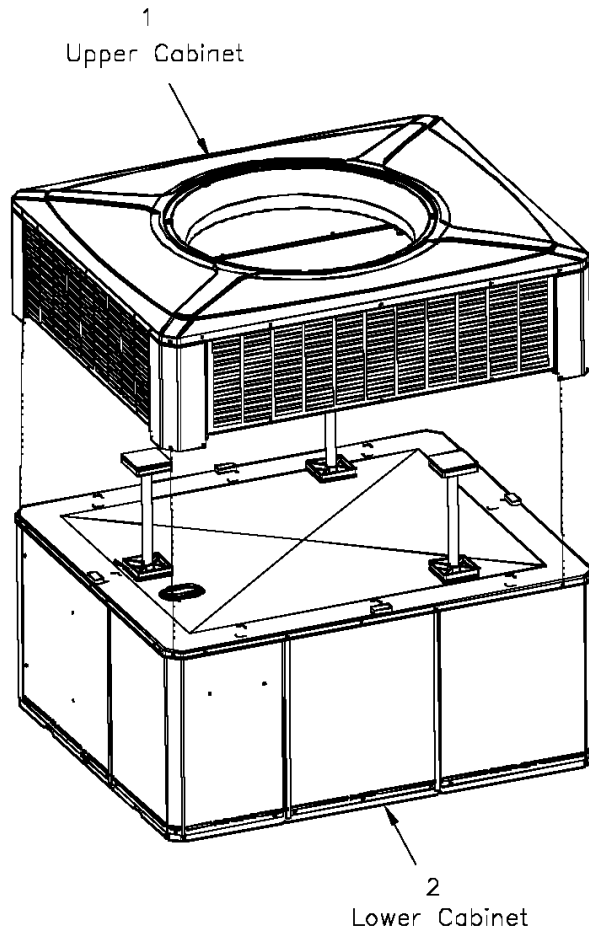
Part No.	Reference No.	Quantity	Description
BLW01007	*	1	BLOWER; ASSEMBLY, COMPLETE
MOD01578	1	1	MODULE; ELECTRONIC MOTOR CONTROL, VARIABLE SPEED PROGRAMMED
MOT12645	2	1	MOTOR; VARIABLE SPEED, 3/4 HP, 208-230/60/1, CW, 6.8 AMPS. (PROGRAMMED MOTOR/MODULE COMBINATION). FOR ELECTRONIC MODULE ONLY USE MOD01578
BRK03543	3	1	BRACKET; BLOWER RETAINER, 4.32 X 5.64
SCR00968	4	1	SCREW; 10-16 HEX WASHER, TYPE B, THREAD FORMING SCREW, 0.31 THREAD LENGTH, STEEL W/ZINC FINISH
HUS03825	5	1	HOUSING; BLOWER RIGHT SIDE WITHOUT MOUNTING HOLES, MOLDED GLASS FIBER POLYESTER, COLOR: NATURAL
CLP01088	6	4	CLIP; CLEAT-BLOWER
SCR01584	7	1	BOLT; 1/4-20 MA HX 1.5 S
NUT00487	8	1	NUT; STEEL HEX, 1/4-20
WAS00646	9	1	WASHER; STEEL SPRING LOCK, 1/4 INCH
BND00026	10	1	BAND; MOTOR MOUNT
BRK03396	11	4	BRACKET; ARM-MOTOR
WHL02557	12	1	WHEEL; BLOWER, 53 BLADES, CCW, CONCAVE DISC, 11.75 X 10.62
SCR02112	13	1	SCREW; ASSEMBLY-MOTOR MOUNT
HUS03824	14	1	HOUSING; BLOWER LEFT SIDE WITH 4 MOUNTING HOLES, MOLDED GLASS FIBER POLYESTER, COLOR: NATURAL

Cabinet

75008397

REV
A

Typical illustration. Unit may not appear exactly as shown.



View is determined by facing Appearance Nameplate

Parts List Number :75008387#4DCY4UP5

Model Number :4DCY4048A3096CA

Part No.	Reference No.	Quantity	Description
75008397_4DCY4UP5_148496~P	*		CABINET PARTS LIST
75008399#4DCY4UP5~S	*		LOWER CABINET
75008381#4DCY4UP5~S	*		UPPER CABINET

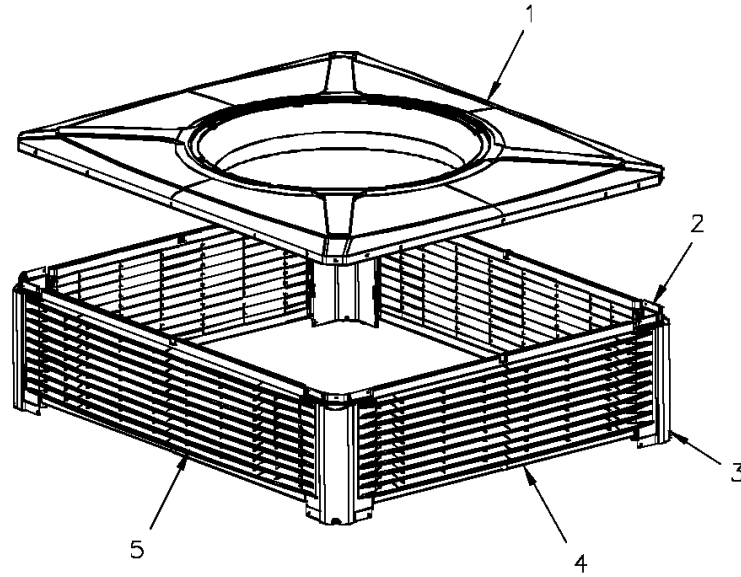
Cabinet

75008381

REV
A

upper

Typical illustration. Unit may not appear exactly as shown.



Parts List Number :75008387#4DCY4UP5

Model Number :4DCY4048A3096CA

Part No.	Reference No.	Quantity	Description
75008381_4DCY4UP5_190893~P	*		UPPER CABINET PARTS LIST

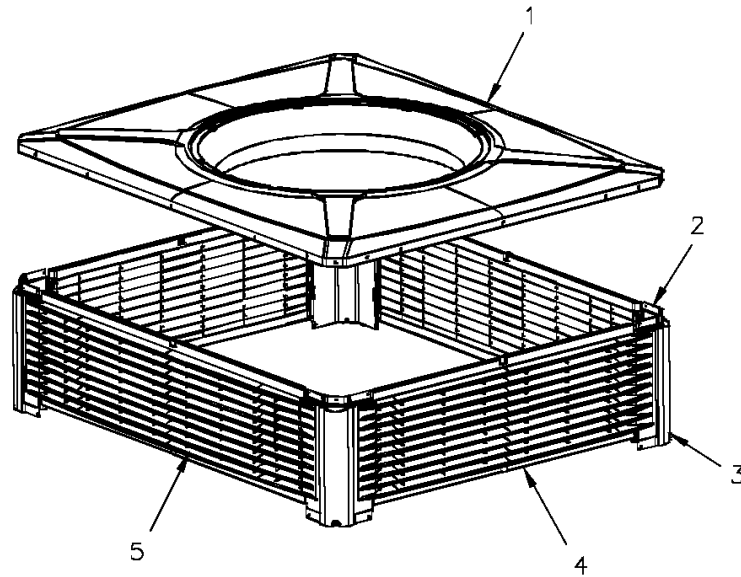
Cabinet

75008381

REV
A

upper

Typical illustration. Unit may not appear exactly as shown.



Part No.	Reference No.	Quantity	Description
BRK03610	*	16	BRACKET; PLASTIC LOUVER, 2.0 X .63 X .53
SUP05014	*	3	SUPPORT; OD COIL, BOTTOM, 4X4, INCLUDES GASKET
SUP05015	*	3	SUPPORT; OD COIL, TOP, 4X4, INCLUDES GASKET
TUB12284	*	3	TUBE; SUPPORT, TOP PIPE, .75 DIA, SCHEDULE 40 GREY PVC, 14.46 INCHES
COV03695	1	1	COVER; OUTDOOR, TOP, 58.33 X 44.08
PNL22002	2	4	PANEL; CORNER POST, 13.84 H
PNL22190	4	2	PANEL; PLASTIC LOUVER, 53.12 X 13.40 - INCLUDES SPEED NUTS AND MOUNTING BRACKETS.
PNL22186	5	2	PANEL; PLASTIC LOUVER, 38.86 X 13.40 - INCLUDES SPEED NUTS AND MOUNTING BRACKETS.

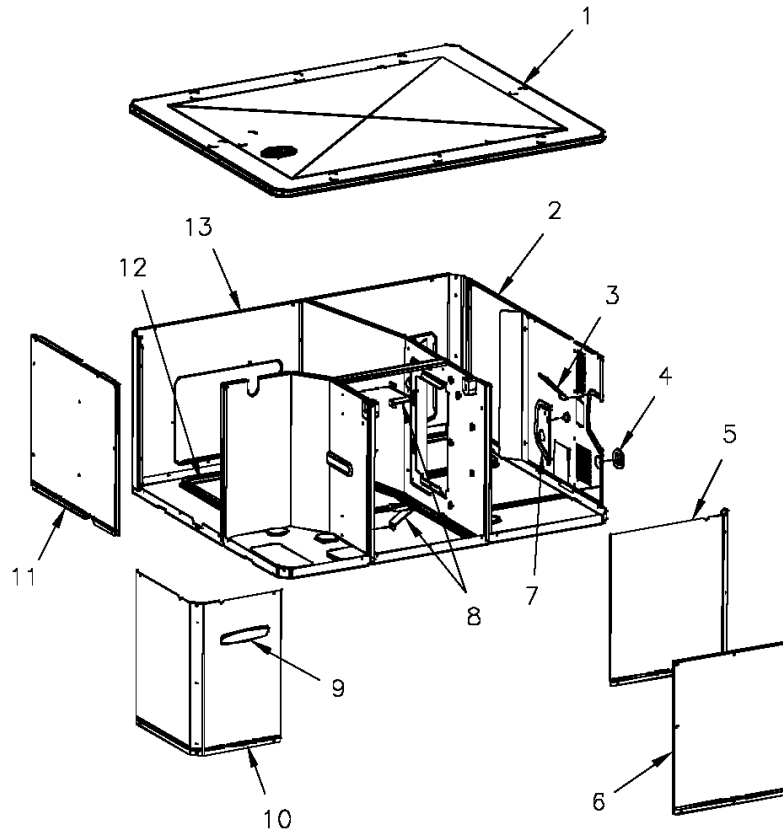
Cabinet

75008399

REV
A

lower

Typical illustration. Unit may not appear exactly as shown.



View is determined by facing Appearance Nameplate

Parts List Number :75008387#4DCY4UP5

Model Number :4DCY4048A3096CA

Part No.	Reference No.	Quantity	Description
75008399_4DCY4UP5_148497~P	*		LOWER CABINET PARTS LIST

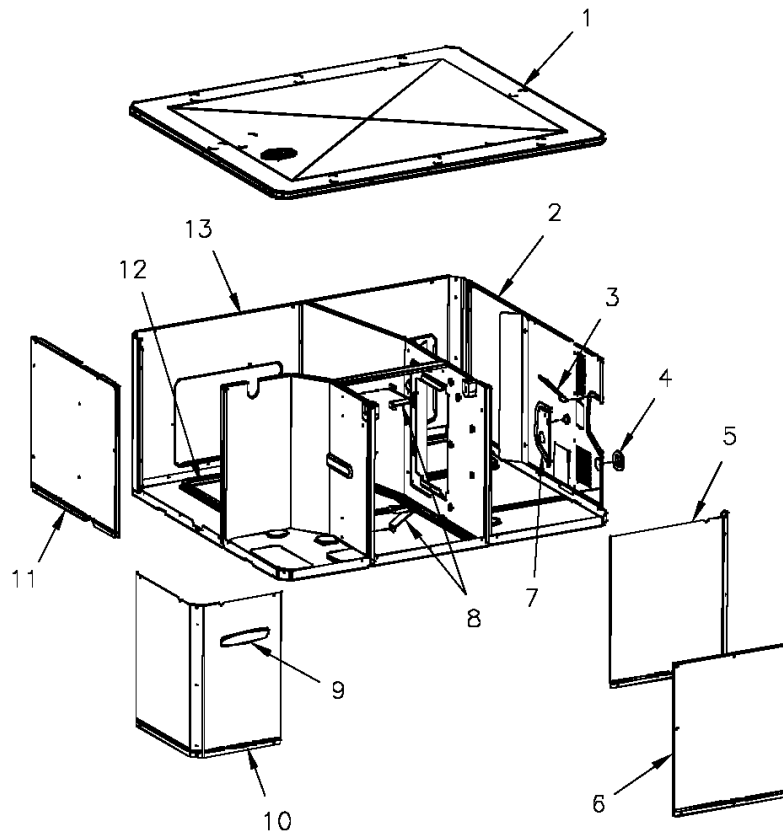
Cabinet

75008399

REV
A

lower

Typical illustration. Unit may not appear exactly as shown.



View is determined by facing Appearance Nameplate

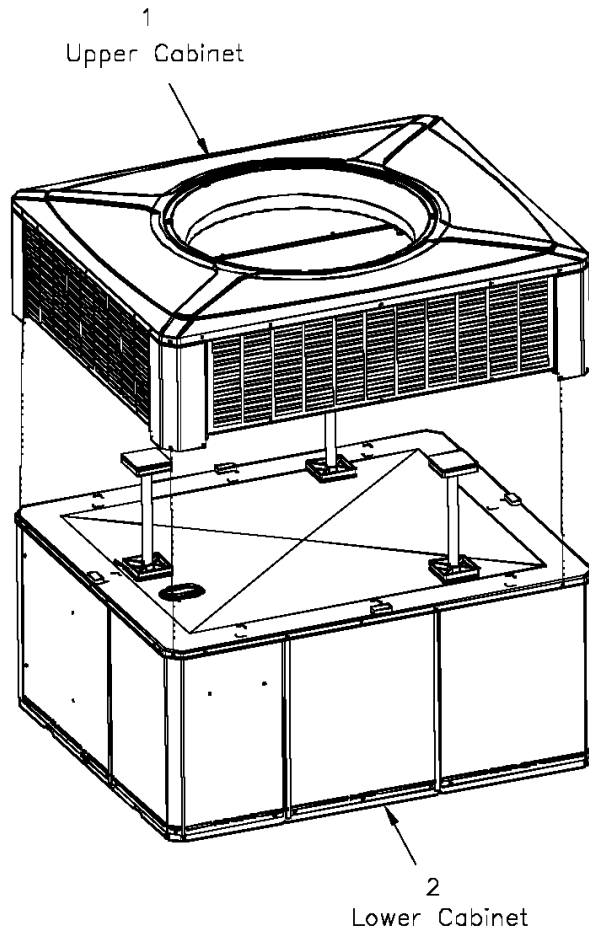
Part No.	Reference No.	Quantity	Description
BAF01248	*	1	BAFFLE; AIR, 18 IN HIGH
GRM00118	*	1	GROMMET; 3/16 IN ID, NEOPRENE
GRM00129	*	2	GROMMET; SCREW
HOD00519	*	1	HOOD; ASSEMBLY, FLUE
PNL26625	*	1	PANEL; BLOWER BARRIER, 44.05 X 21.15
PNL28755	*	1	PANEL; COMPRESSOR BARRIER, 27.22 W X 21.15 H
COV03697	1	1	COVER; INDOOR, TOP, 58.33 X 44.08
PNL22183	2	1	PANEL; GAS HEAT ACCESS, 39.00 X 20.91
SHD00397	3	1	SHIELD; LOUVER, TOP, 5.0 X 1.9
BUS00616	4	1	BUSHING; 1.62 DIA
PNL22000	5	1	PANEL; CONTROL/HEAT ACCESS, 17.93 X 20.70
PNL22014	6	1	PANEL; BLOWER ACCESS, 27.36 X 20.70
PNL22042	7	1	PANEL; GAS HEAT, 7.81 X 4.50
BRK03544	8	2	BRACKET; BLOWER SUPPORT, U-SHAPED, 3.00 X 2.00 X 2.83
PLT04289	9	1	PLATE; APPEARANCE, TRANE, XL14C, 9.0 X 1.8
PNL21998	10	1	PANEL; COMPRESSOR ACCESS, 20.7 X 12.7 & 20.7 X 15.5
PNL22040	11	1	PANEL; INDOOR COIL ACCESS, 25.42 X 20.70
COV03699	12	2	COVER; SUPPLY AND RETURN, 17.88 X 14.88
PNL22193	13	1	PANEL; SUPPLY AND RETURN, 58.13 X 20.88

Cabinet

75008397

REV
A

Typical illustration. Unit may not appear exactly as shown.

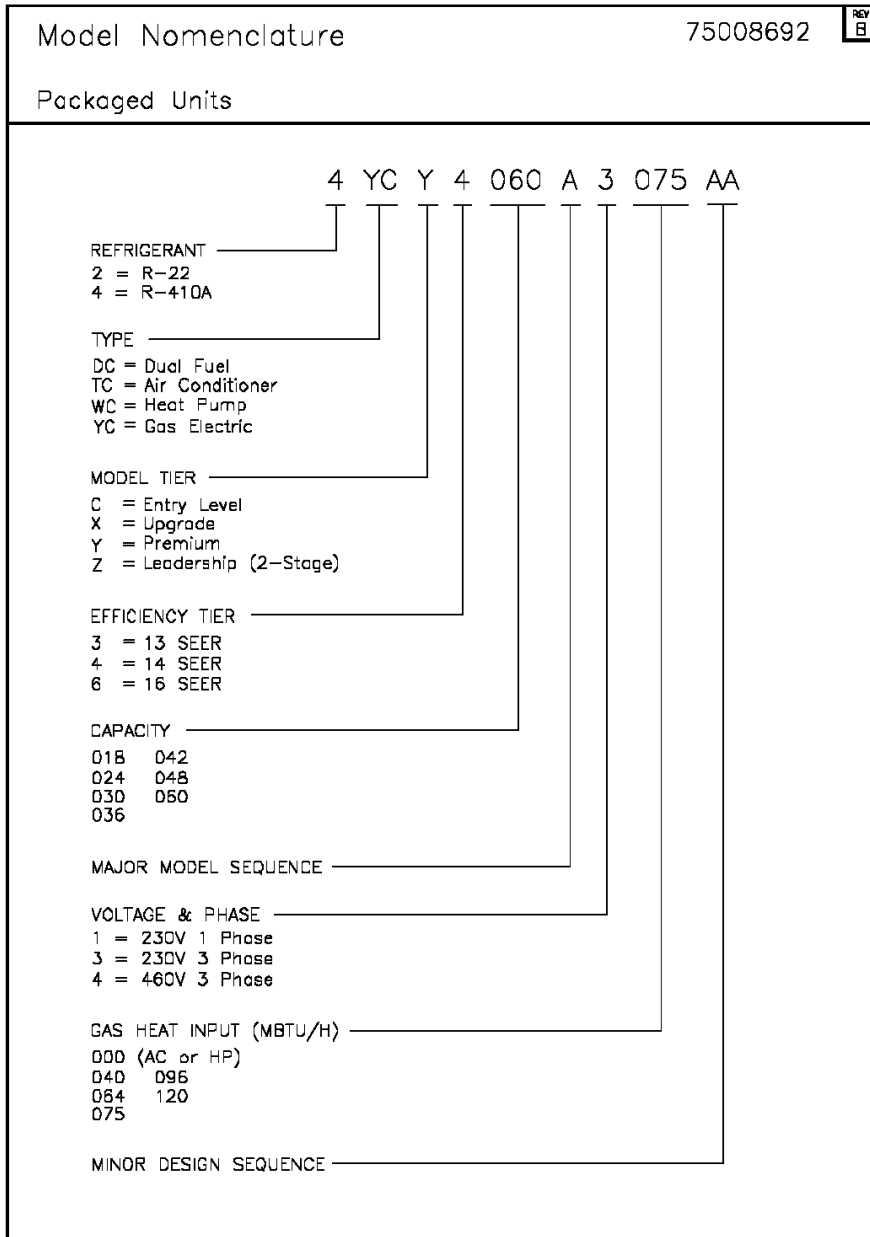


View is determined by facing Appearance Nameplate

Parts List Number :75008387#4DCY4UP5

Model Number :4DCY4048A3096CA

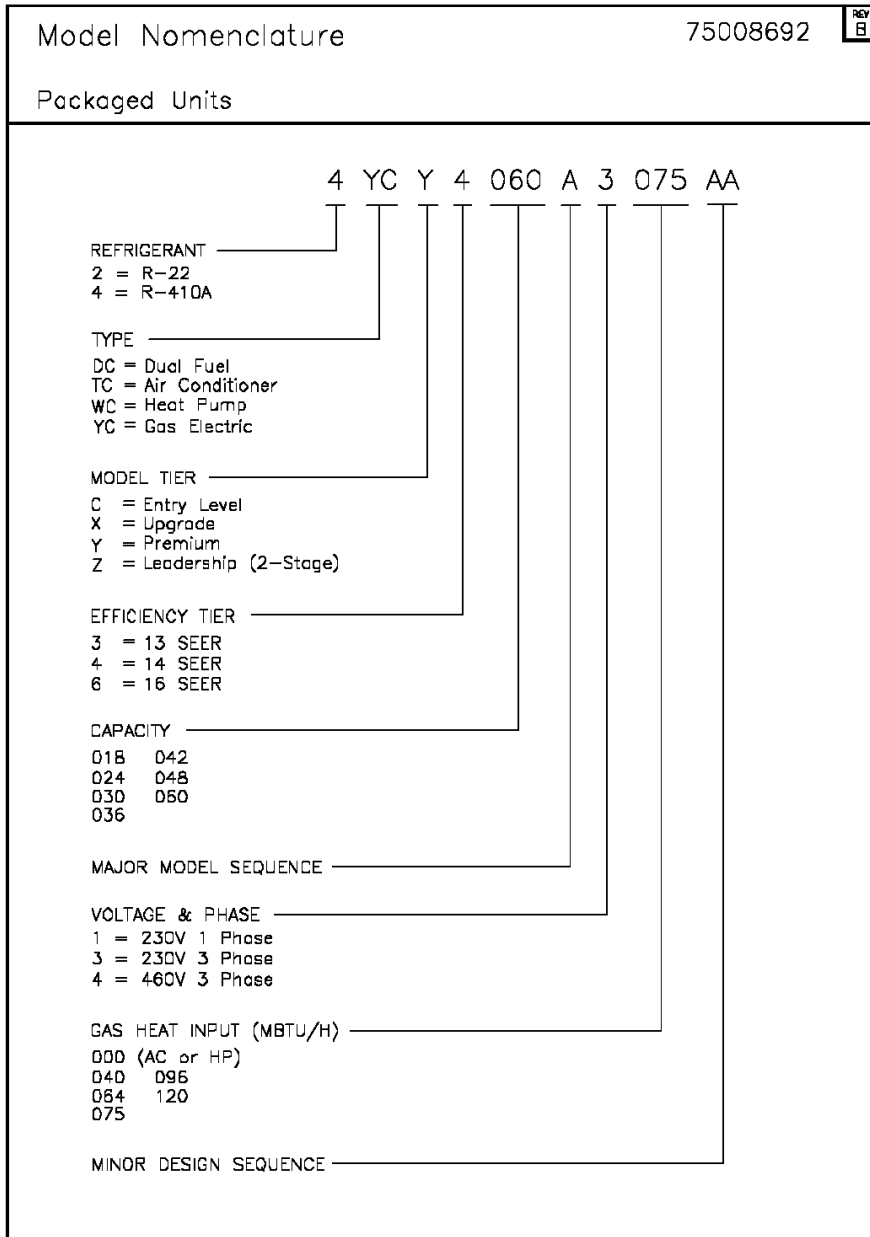
Part No.	Reference No.	Quantity	Description
PAI00074	*	1	PAINT; SPRAY, SLATE GREY, FULL GLOSS(88) (SHIPPING UOM 12 OZ HAZ)



Parts List Number :75008387#4DCY4UP5

Model Number :4DCY4048A3096CA

Part No.	Reference No.	Quantity	Description
75008692_4DCY4UP5_148504-P	*		MODEL NOMENCLATURE PARTS LIST



Part No.	Reference No.	Quantity	Description
NGRAPHIC_4DCY4UP5_190897~ P	*		OPTIONAL FIELD INSTALLED ACCESSORIES PARTS LIST

NO GRAPHIC AVAILABLE

75013702

REV
A

**NO
GRAPHIC
AVAILABLE**

Parts List Number :75008387#4DCY4UP5

Model Number :4DCY4048A3096CA

Part No.	Reference No.	Quantity	Description
BAYUV102A	*	1	36 WATT UV LIGHT KIT FOR MEDIUM PACKAGED UNITS
ECN00112	*	1	ECONOMIZER; DOWN DISCHARGE, AND RAIN HOOD(BAYECON102AA)
ECN00114	*	1	ECONOMIZER; HORIZONTAL (BAYECON201AA)
KIT03361	*	1	KIT; LIFTING LUGS-BAYLIFT002B (CTN = 6 PIECES)
KIT06658	*	1	KIT; ENTHALPY CONTROL (BAYENTH001AB)
KIT13553	*	1	KIT; CURB ADAPTER (BAYADAP052AA)
KIT13554	*	1	KIT; CURB ADAPTER (BAYADAP053AA)
KIT13555	*	1	KIT; CURB ADAPTER (BAYADAP054AA)
KIT13557	*	1	KIT; CRANKCASE HEATER, 230V SCROLL COMPRESSORS (BAYCCHT102AA) 6.5-7.5 DIA, 60W, 110L
KIT13560	*	1	KIT; 18 INCH DUCT SHROUD COVERS HORIZONTAL (BAYCOVR118AA)
KIT13562	*	1	KIT; FULL PERIMETER ROOF MOUNTING CURB (BAYCURB051AA)
KIT13564	*	1	KIT; OUTSIDE AIR, 2 POS DAMPER (BAYDMPR102AA)
KIT13565	*	1	KIT; EXTREME CURB MOUNTING (BAYEXMK001AA)
KIT13567	*	1	KIT; EXTREME CURB MOUNTING (BAYEXMK003AA)
KIT13569	*	1	KIT; LP CONVERSION (BAYLPKT101AA)
KIT13572	*	1	KIT; OUTSIDE AIR, MANUAL DAMPER (BAYOSAH002AA)
KIT13574	*	1	KIT; QUICK START (BAYQSTK301AA)
KIT13576	*	1	KIT; SQUARE/ROUND DUCT ADAPTER (BAYSQRD002AA)
KIT13640	*	1	KIT; LOW AMBIENT COOLING, HEAD PRESSURE CONTROL (BAYLOAM105AA)
KIT15097	*	1	KIT; FILTER FRAME (BAYFLTR201BA). USE (1) 20 X 20, PLUS (1) 20 X 18 FILTER - NOT INCLUDED.
KIT15142	*	1	KIT; ACCESS DOOR, 3-1/2 TO 5 TON MODELS (BAYACCDOR2AA)
KIT15323	*	1	KIT; EXTREME CURB MOUNTING (BAYEXMK002BA)
KIT15326	*	1	KIT; ROOF CURB UTILITY EXTENSION KIT (BAYUTIL102BA)
KIT15404	*	1	KIT; ECONOMIZER, HINGED FILTER ACCESS DOOR AND FILTER FRAME (BAYECONCOMB102A)
RLY01652	*	1	RELAY; KIT (BAYRLAY004AA)
THT00839	*	1	THERMOSTAT; REMOTE POTENTIOMETER, 60-90 DEG F (BAYSTAT023AA)
TMR00140	*	1	TIMER; ANTISHORT CYCLE (BAYASCT001)