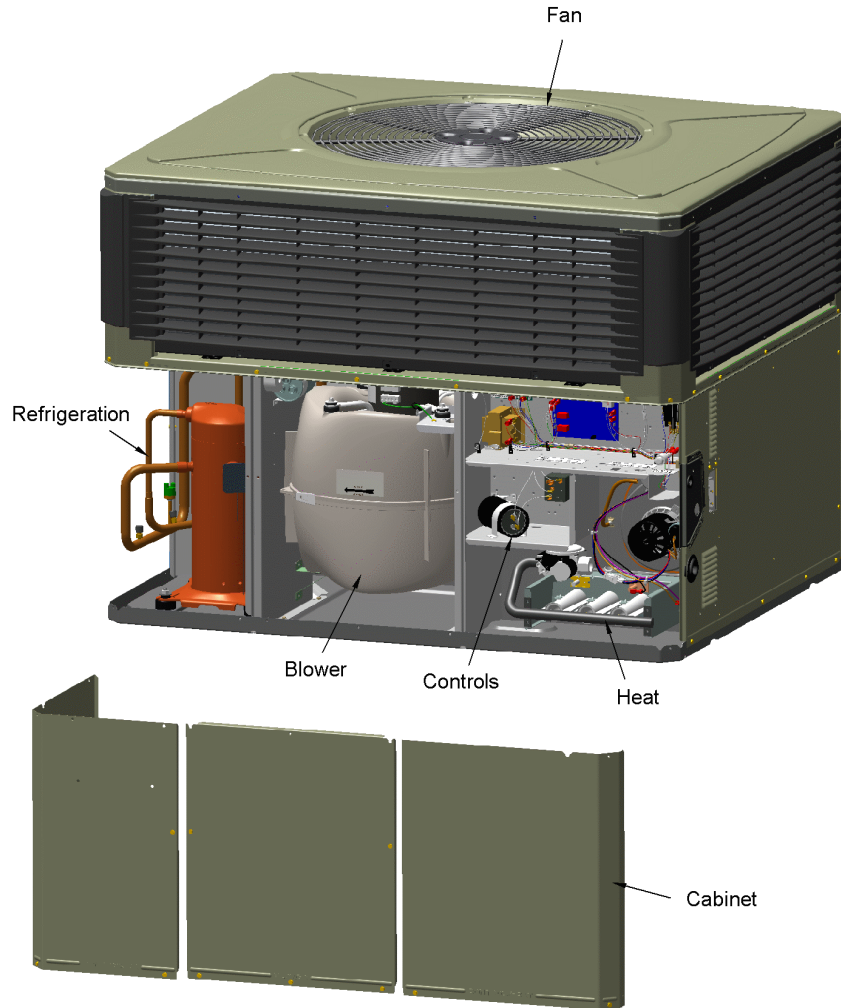


PACKAGED UNITS

75010835

REV  
A

TYPICAL ILLUSTRATION



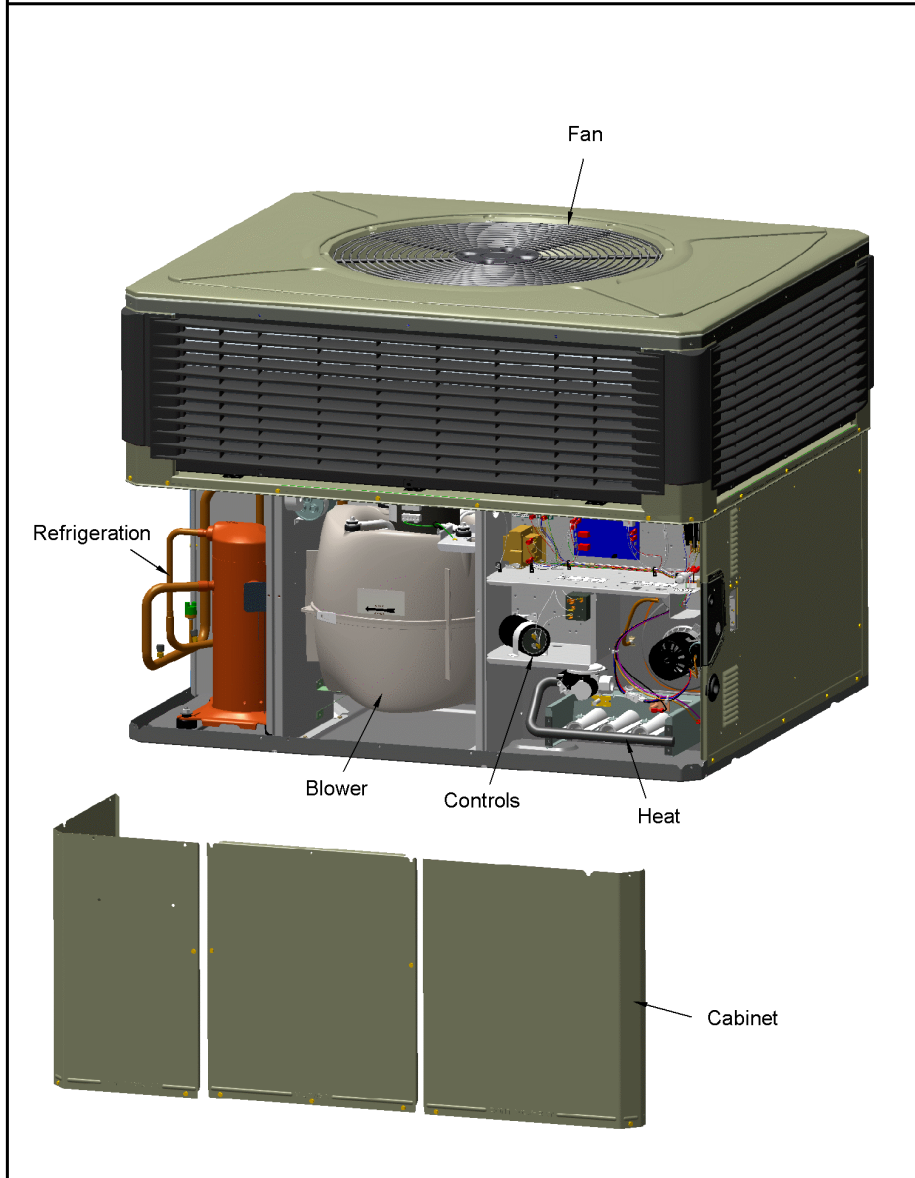
<b>Part No.</b>	<b>Reference No.</b>	<b>Quantity</b>	<b>Description</b>
75010829#4DCY4UP6~S	*		BLOWER
75010752#4DCY4UP6~S	*		CABINET - LOWER
75010828#4DCY4UP6~S	*		CABINET - UPPER
75010834#4DCY4UP6~S	*		CONTROLS
75010673#4DCY4UP6~S	*		FAN
75010755#4DCY4UP6~S	*		HEAT
75008692#4DCY4UP6~S	*		MODEL NUMBER DESCRIPTION
NGRAPHIC#4DCY4UP6~S	*		OPTIONAL EQUIPMENT
75010672#4DCY4UP6~S	*		OUTDOOR COIL
75010835_4DCY4UP6_203219~P	*		PACKAGED GAS / ELECTRIC - HEAT PUMP PARTS LIST
75010704#4DCY4UP6~S	*		REFRIGERATION

PACKAGED UNITS

75010835

REV.  
A

TYPICAL ILLUSTRATION

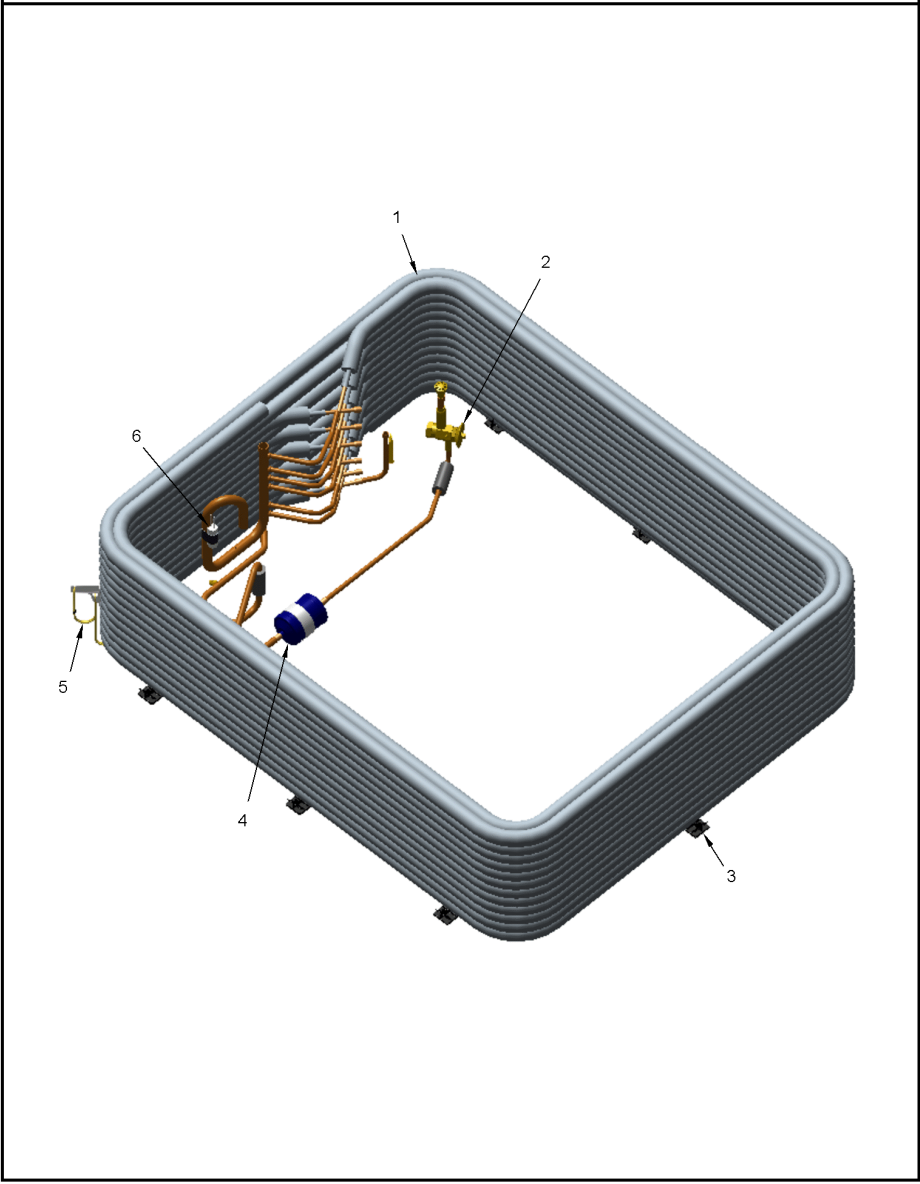


OUTDOOR COIL

75010672

REV.  
A

TYPICAL ILLUSTRATION



OUTDOOR COIL

Parts List Number :75010835#4DCY4UP6

Model Number :4DCY4030D1070AA

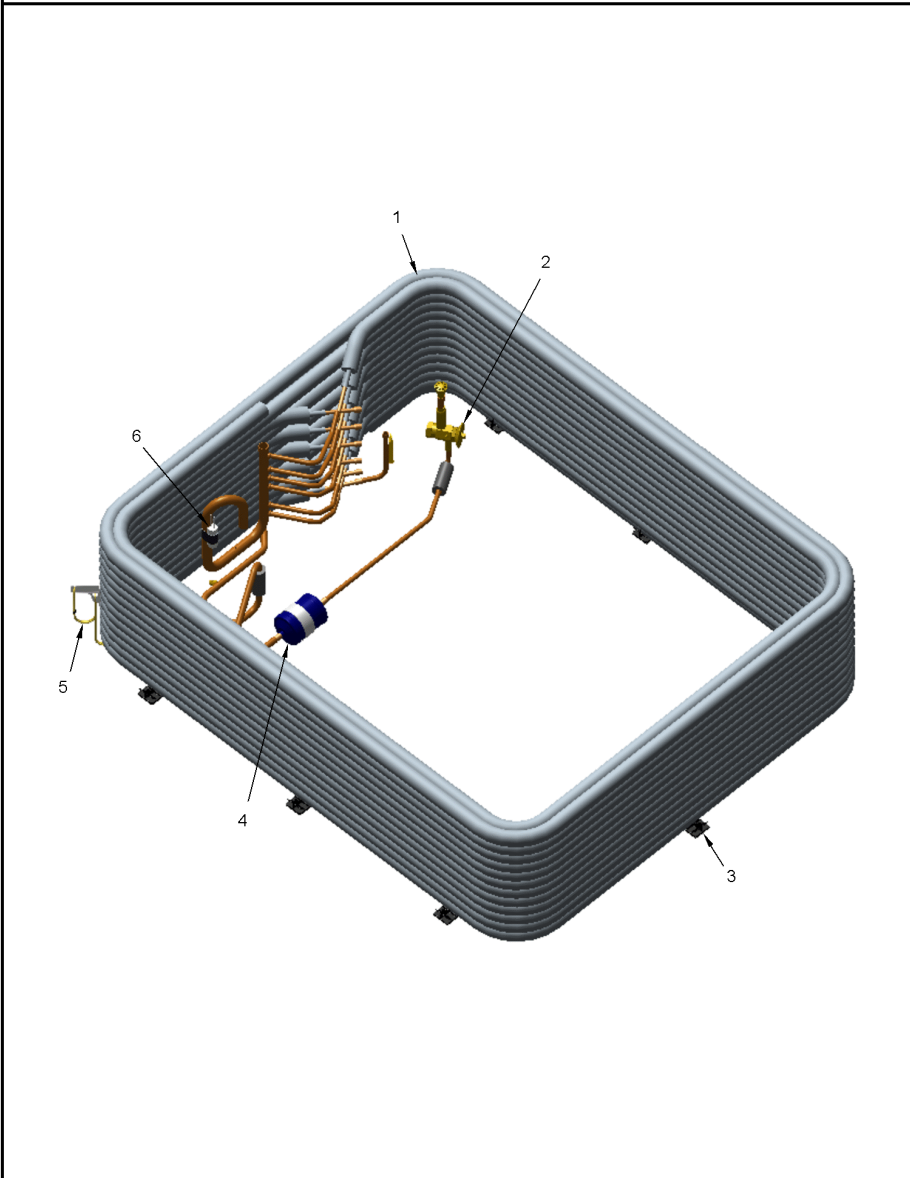
Part No.	Reference No.	Quantity	Description
75010672_4DCY4UP6_315612~P	*		OUTDOOR COIL PARTS LIST

OUTDOOR COIL

75010672

REV.  
A

TYPICAL ILLUSTRATION



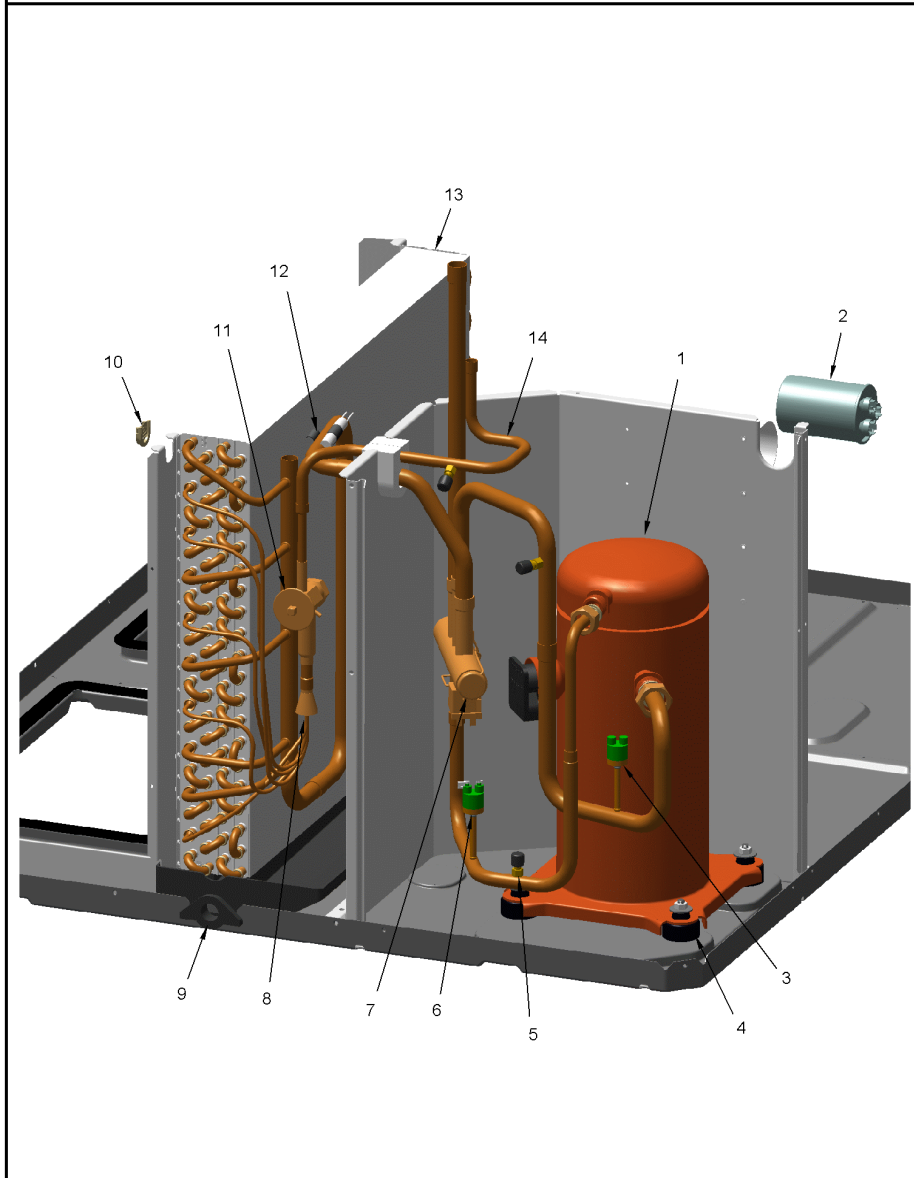
Part No.	Reference No.	Quantity	Description
COL25355	1	1	COIL; OUTDOOR, SPINE FIN, 45.95 L X 38.42 W X 14.50 H
DST00897	2	1	DISTRIBUTOR; 7 OUTLETS, 19 ODS, .50 ODM INLET, BRASS
VAL11906	2	1	VALVE; EXPANSION, 2 TON, 3/8" INLET X 1/2" OUTLET, 200/94 PSIG, INTERNALLY CHECKED, WITH STRAINER, R410A
SPC00391	3	8	SPACER; OUTDOOR COIL, 2.50 X 1.31. INCLUDES GASKET.
DHY01451	4	1	DRIER; BI-FLOW; SERVICE FIRST; 8 CU. IN; DCB083S, 3/8 ODF CONNECTIONS; 2.3 TON CAPACITY; APPROVED FOR MINERAL OIL AND POE OIL REFRIGERANTS; MANUFACTUR
SEN01370	5	1	SENSOR; ASSEMBLY, 9.75 K RESISTANCE OHMS AT 75 DEG F, YELLOW WIRES, 73 IN AND 75 IN
CLP00223	6	1	CLIP; BULB

REFRIGERATION

75010704

REV.  
A

TYPICAL ILLUSTRATION



Parts List Number :75010835#4DCY4UP6

Model Number :4DCY4030D1070AA

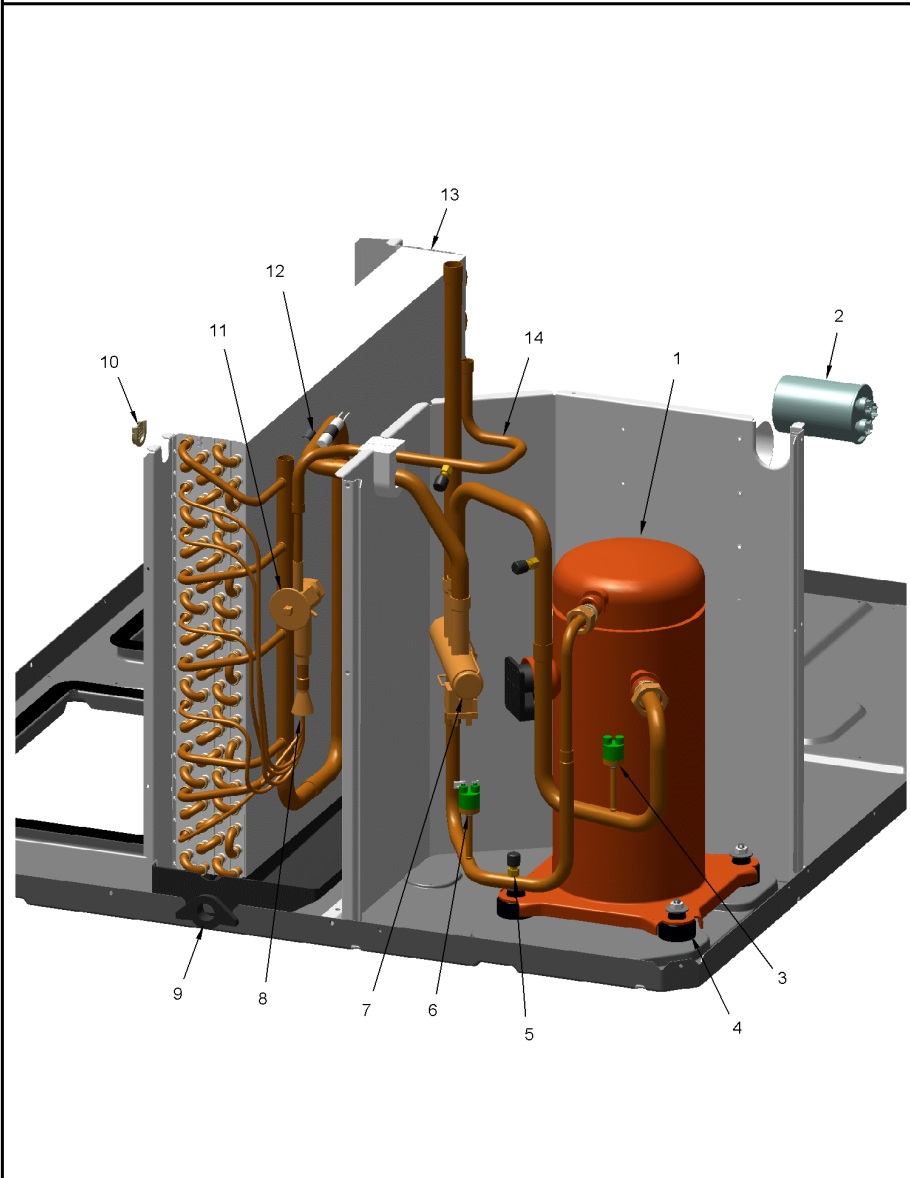
Part No.	Reference No.	Quantity	Description
75010704_4DCY4UP6_315613~P	*		REFRIGERATION PARTS LIST

REFRIGERATION

75010704

REV.  
A

TYPICAL ILLUSTRATION



Part No.	Reference No.	Quantity	Description
WIR04493	*	1	WIRE; PLUG, SCROLL COMPRESSOR
COM10752	1	1	COMPRESSOR; SCROLL, ALLIANCE, SXA025C1CPA, 2.08 TON, 208V-230V/60/1, R-410A, 3/4 SUCTION, 1/2 DISCHARGE, STUB TUBE, BLACK
CPT00668	2a	1	CAPACITOR; DUAL, 440V, 40/5 MFD, ROUND, W/O RESISTOR
SRP00093	2b	1	STRAP;CAPACITOR
SCR01510	2c	2	SCREW; 10-16 AB HXW 1/2 SN
SWT03892	3	1	SWITCH; LOW PRESSURE, 35 PSIG OPEN, 55 PSIG RESET SWITCH
BLT00809	4a	4	BOLT; CARRIAGE, 5/16-18 X 1-3/4
GKT01820	4b	4	GASKET; 3/4 OD X 7/16 ID X .06 THK
ISR00007	4c	4	ISOLATOR; VIBRATION
NUT00355	4d	4	NUT; HEX, LOCK, 5/16IN.-18
NUT00890	4e	4	NUT; PALLET, 5/16-18 UNC 2B THD.
WAS00638	4f	4	WASHER; FLAT, 5/16 INCH
BOD00114	5a	3	BODY; VALVE, BRASS, 7/16 HEX, 7/16 -20 UNF-2A
CAP00455	5b	3	CAP; HUB, 7/16-20 STRAIGHT
COR00103	5c	3	CORE; VALVE, .79 LENGTH, .206-36 UNS-1 MOD. THD
SWT03542	6	1	SWITCH; HIGH PRESSURE, SPST, OPEN @ 650 PSIG, CLOSE @ 500 PSIG, BRAZED
VAL08882	7	1	VALVE; SWITCHOVER, 4 TON (INCLUDES SOLENOID COIL)
VAL08702	8	1	VALVE; EXPANSION, 4 TON, 3/8" INLET X 1/2" OUTLET, 89/85 PSIG, R410A
PAN02888	9	1	PAN; DRAIN, BLACK PVC, 29.58 X 7.75
GRM00103	10	1	GROMMET; SPLIT, COMPRESSOR
VAL11905	11	1	VALVE; EXPANSION, 3 TON, 3/8" INLET X 1/2" OUTLET, 200/89 PSIG, INTERNALLY CHECKED, WITH STRAINER, R410A
CLP00223	12	1	CLIP; BULB
COL25343	13	1	COIL; INDOOR, FLAT FIN, 25.50 L X 20.00 H
TUB13267	14	1	TUBE; LIQUID LINE ASSEMBLY

FAN

75010673

REV  
A

TYPICAL ILLUSTRATION



Parts List Number :75010835#4DCY4UP6

Model Number :4DCY4030D1070AA

Part No.	Reference No.	Quantity	Description
75010673_4DCY4UP6_263186-P	*		FAN PARTS LIST

FAN

75010673

REV  
A

TYPICAL ILLUSTRATION



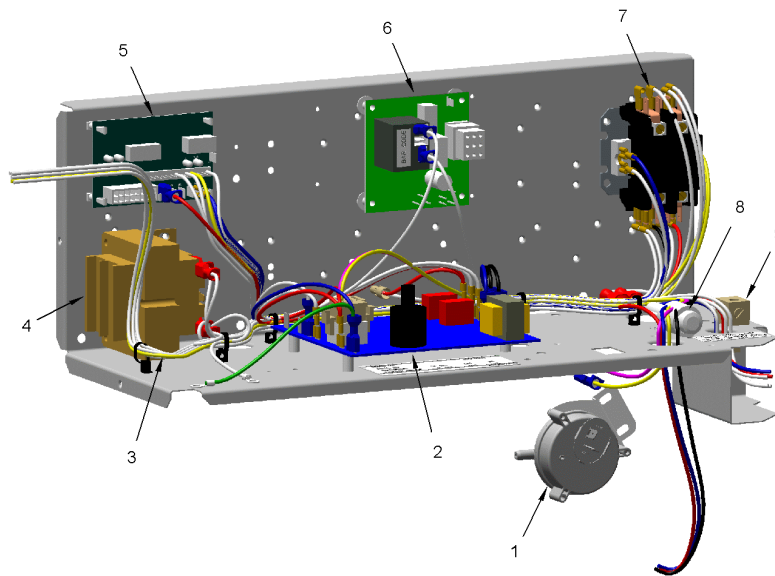
<b>Part No.</b>	<b>Reference No.</b>	<b>Quantity</b>	<b>Description</b>
FAN03983	1	1	FAN; SWEPT BLADE, 2 BLADE, ALUMINUM, 23.4 IN DIA, 30 DEGREES PITCH, .50 IN BORE, CCW, 1 SET SCREW-STEEL
MOT17687	2	1	MOTOR; OD FAN, 1/6 HP-48 FRAME PSC
GRL01529	3	1	GRILL; OUTDOOR FAN, 26.0 IN MOUNTING DIA
SCR02086	4	4	SCREW; 10-32 TR-3 HXW 3/8 S
GRD01633	5	1	GUARD; TROUGH-LEAD

CONTROL BOX

75010834

REV.  
A

TYPICAL ILLUSTRATION



Parts List Number :75010835#4DCY4UP6

Model Number :4DCY4030D1070AA

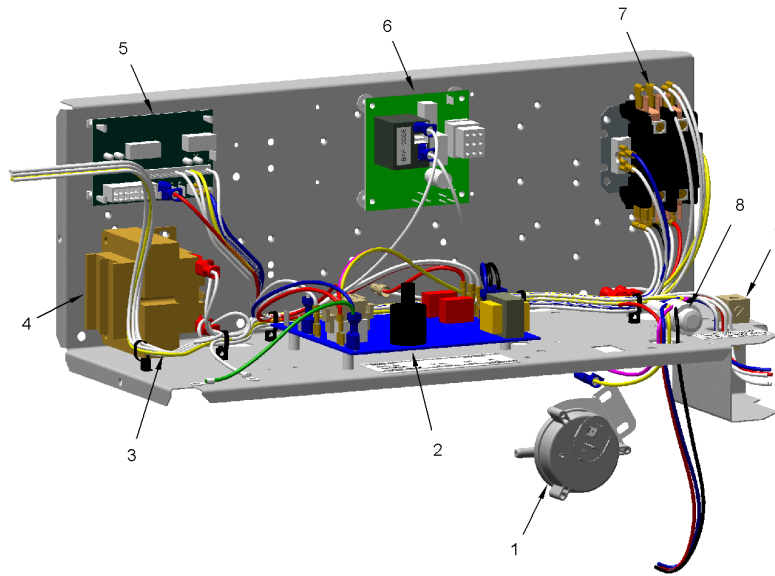
Part No.	Reference No.	Quantity	Description
75010834_4DCY4UP6_263193~P	*		CONTROLS PARTS LIST

CONTROL BOX

75010834

REV.  
A

TYPICAL ILLUSTRATION



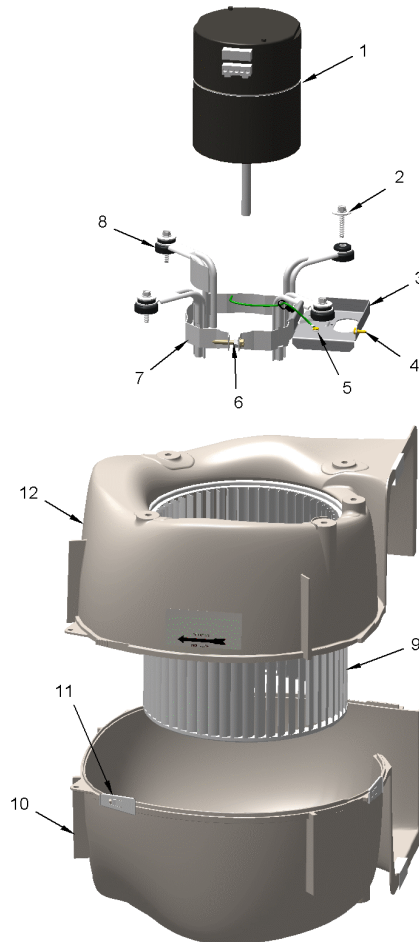
Part No.	Reference No.	Quantity	Description
WIR02151	*	1	WIRE; HIGH VOLTAGE, 47 IN LENGTH
CNT05641	1	1	CONTROL; AIR PRESSURE, SPST, 28VA PILOT DUTY AT 24 VAC, 125VA PILOT DUTY AT 125VAC, SNAP ACTING CONTACTS, OPERATING TEMP RANGE: -40 TO 190F
CNT05135	2	1	CONTROL; DUAL STAGE, DIRECT SPARK IGNITION MODULE
TRR01558	4	1	TRANSFORMER; 75VA, 200/230V PRI, 24V SEC, QUICK CONNECTS
CNT03600	5	1	CONTROL; ICM FAN, PWB, 16 PIN
CNT04364	6	1	CONTROL; DEFROST (USE ON PACKAGED HEAT PUMPS ONLY: 2WC*, 4WC*, 4DC*)
CTR02994	7	1	CONTACTOR; 1 POLE + SHUNT, NO, 40 FLA AT 240V, 50/60 HZ, 40 RES AMPS, 32V COIL, 40 FLA AT 240/277/480/600V
FUS01776	8	1	FUSE; 3.2 AMP, WITH HOLDER AND QUICK CONNECTS
LUG00014	9	1	LUG, GROUND

BLOWER

75010829

REV  
A

TYPICAL ILLUSTRATION



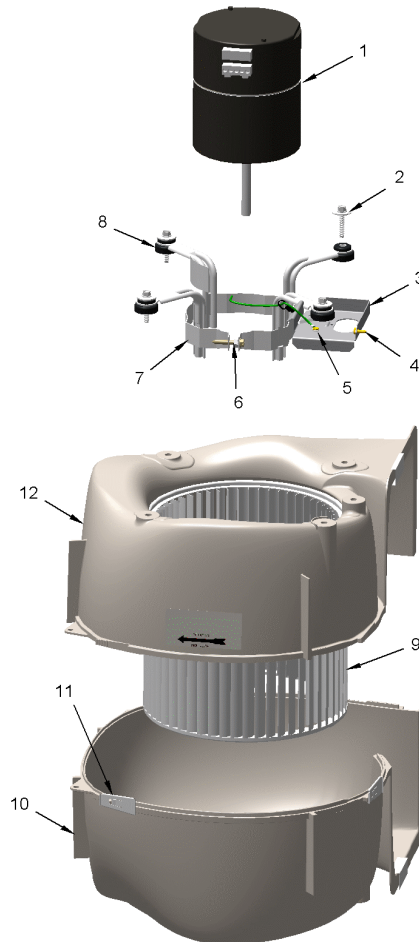
Part No.	Reference No.	Quantity	Description
75010829_4DCY4UP6_315615-P	*		BLOWER PARTS LIST

BLOWER

75010829

REV  
A

TYPICAL ILLUSTRATION



Part No.	Reference No.	Quantity	Description
MOD02824	1	1	NO DESCRIPTION AVAILABLE
MOT17786	1	1	MOTOR; VARIABLE SPEED, PROGRAMMED EON ASSEMBLY
SCR02112	2	4	SCREW; ASSEMBLY-MOTOR MOUNT
BRK03542	3	1	BRACKET; BLOWER RETAINER, 4.32 X 3.45
SCR00998	4	1	SCREW; 10-16 B HXW 1/2 S
SCR00968	5	1	SCREW; 10-16 HEX WASHER, TYPE B, THREAD FORMING SCREW, 0.31 THREAD LENGTH, STEEL W/ZINC FINISH
NUT00487	6	1	NUT; STEEL HEX, 1/4-20
SCR01584	6	1	BOLT; 1/4-20 MA HX 1.5 S
WAS00646	6	1	WASHER; STEEL SPRING LOCK, 1/4 INCH
BND00026	7	1	BAND; MOTOR MOUNT
BRK03396	8	4	BRACKET; ARM-MOTOR
WHL02558	9	1	WHEEL; BLOWER, 48 BLADES, CCW, CONCAVE DISC, 10.62 X 10.68
HUS03805	10	1	HOUSING; BLOWER RIGHT SIDE WITHOUT MOUNTING HOLES, MOLDED GLASS FIBER POLYESTER, COLOR: NATURAL
CLP01088	11	4	CLIP; CLEAT-BLOWER
HUS03804	12	1	HOUSING; BLOWER LEFT SIDE WITH 4 MOUNTING HOLES, MOLDED GLASS FIBER POLYESTER, COLOR: NATURAL

CABINET  
LOWER - INDOOR  
TYPICAL ILLUSTRATION

75010752

REV.  
A



Parts List Number :75010835#4DCY4UP6

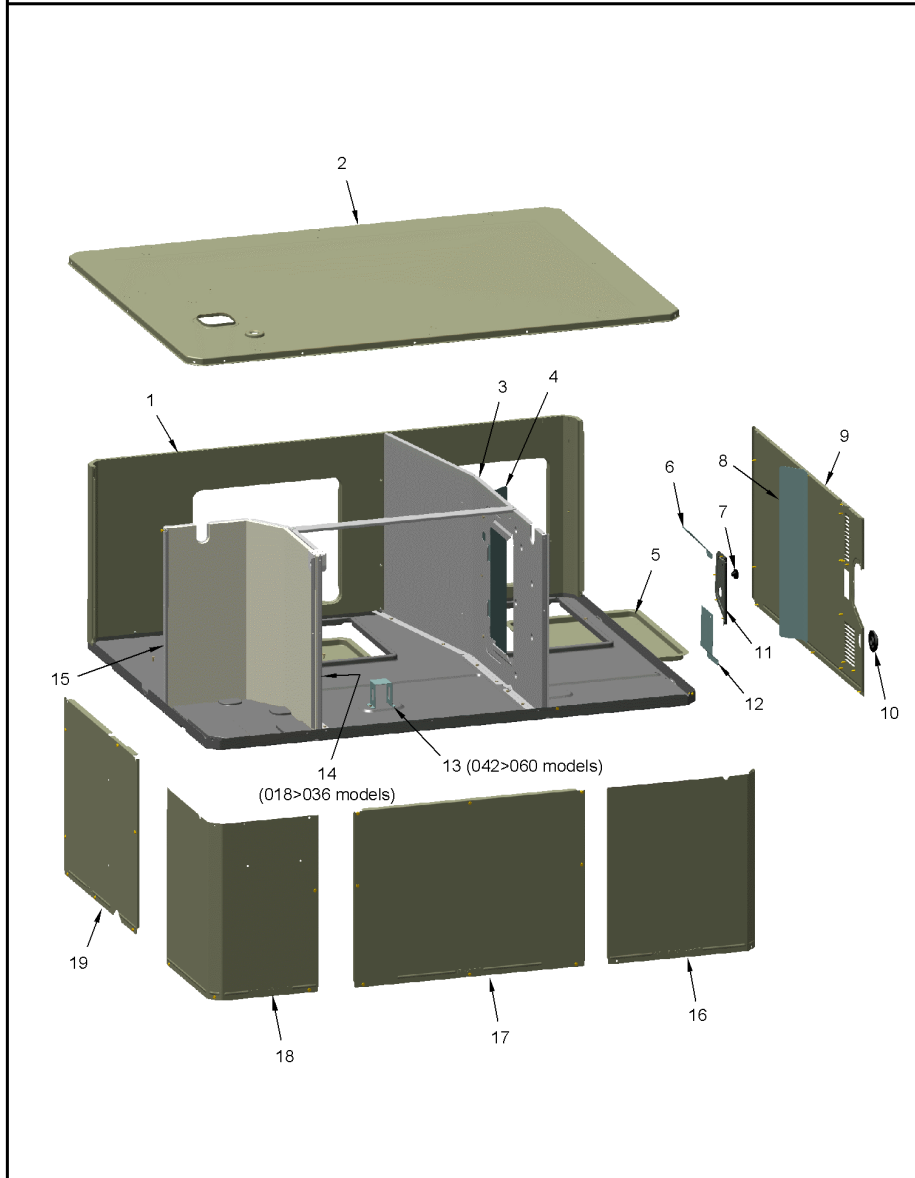
Model Number :4DCY4030D1070AA

Part No.	Reference No.	Quantity	Description
75010752_4DCY4UP6_263188-P	*		CABINET - LOWER PARTS LIST

CABINET  
LOWER - INDOOR  
TYPICAL ILLUSTRATION

75010752

REV.  
A

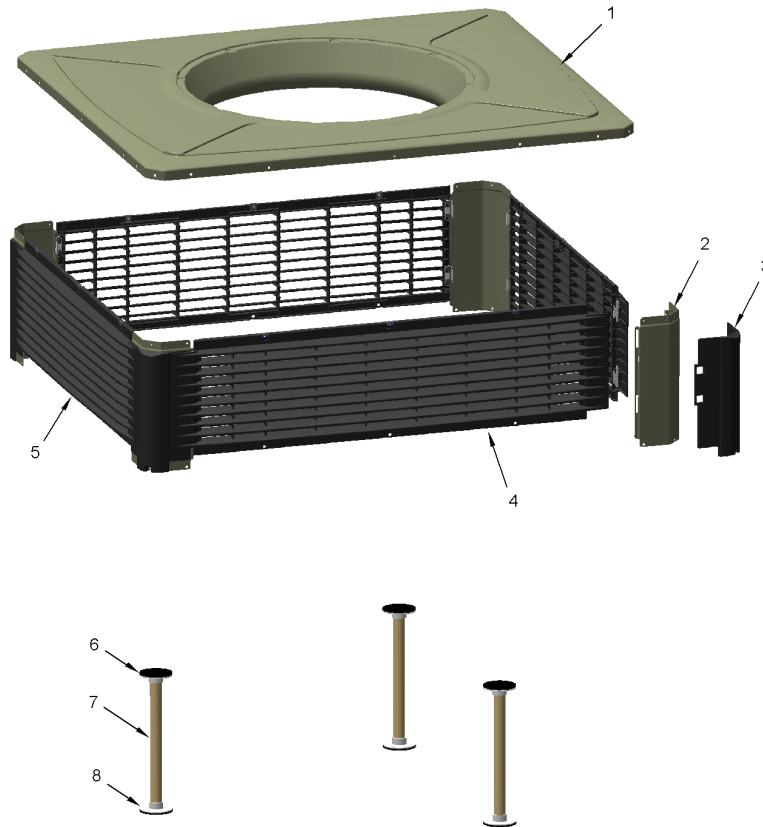


Part No.	Reference No.	Quantity	Description
PAI00074	*	1	PAINT; SPRAY, SLATE GREY, FULL GLOSS(88) (SHIPPING UOM 12 OZ HAZ)
PLT04289	*	1	PLATE; APPEARANCE, TRANE, XL14C, 9.0 X 1.8
SCR01510	*	47	SCREW; 10-16 AB HXW 1/2 SN
PNL32042	1	1	PANEL; SUPPLY AND RETURN, 48.41 X 20.88
COV04899	2	1	COVER; TOP, INDOOR, 48.61 X 41.08
PNL26584	3	1	PANEL; BLOWER BARRIER, 41.05 X 21.15
BAF01248	4	1	BAFFLE; AIR, 18 IN HIGH
COV04901	5	2	COVER; SUPPLY AND RETURN, 15.88 X 11.88
SHD00397	6	1	SHIELD; LOUVER, TOP, 5.0 X 1.9
GRM00118	7	1	GROMMET; 3/16 IN ID, NEOPRENE
BAF01392	8	1	BAFFLE; AIR, 20.00 X 3.68
GRM00129	8	2	GROMMET; SCREW
PNL32044	9	1	PANEL; GAS HEAT, 36.00 X 20.90
BUS00616	10	1	BUSHING; 1.62 DIA
PNL22042	11	1	PANEL; GAS HEAT, 7.81 X 4.50
SCR01511	11	4	SCREW; 10-16 B HXW 1/2 S
SHD00424	12	1	SHIELD; LOUVER, BOTTOM, 6.0 X 4.0
BRK03541	14	1	BRACKET; BLOWER SUPPORT, V-SHAPED, 3.13 X 2.75 X 1.50
PNL28755	15	1	PANEL; COMPRESSOR BARRIER, 27.22 W X 21.15 H
PNL22000	16	1	PANEL; CONTROL/HEAT ACCESS, 17.93 X 20.70
PNL22013	17	1	PANEL; BLOWER ACCESS, 17.63 X 20.70
PNL21998	18	1	PANEL; COMPRESSOR ACCESS, 20.7 X 12.7 & 20.7 X 15.5
PNL22039	19	1	PANEL; INDOOR COIL ACCESS, 22.42 X 20.70

CABINET  
UPPER-OUTDOOR  
TYPICAL ILLUSTRATION

75010828

REV.  
A



Parts List Number :75010835#4DCY4UP6

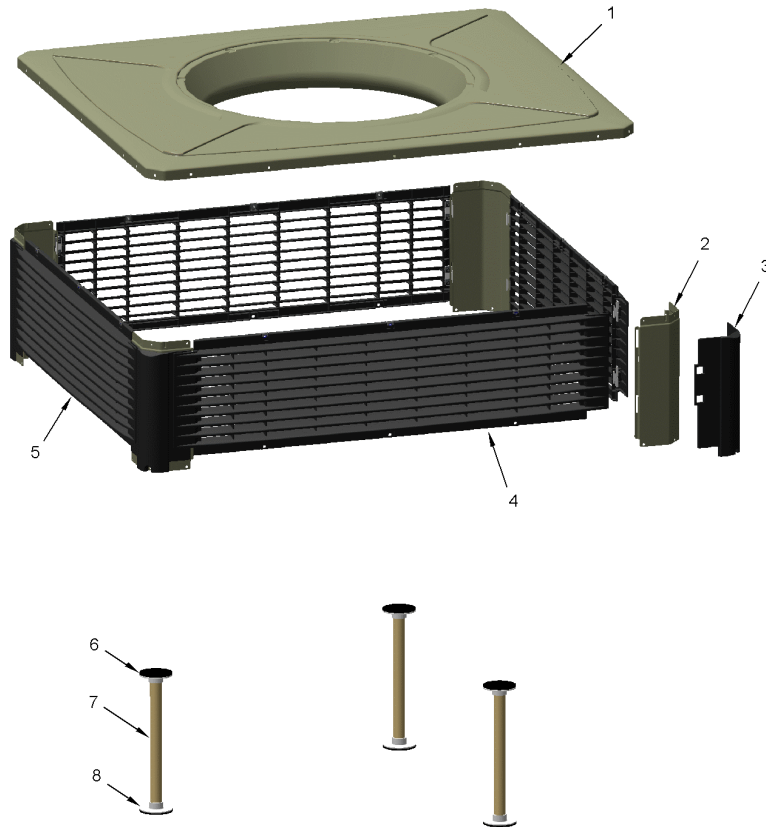
Model Number :4DCY4030D1070AA

Part No.	Reference No.	Quantity	Description
75010828_4DCY4UP6_315614-P	*		CABINET - UPPER PARTS LIST

CABINET  
UPPER-OUTDOOR  
TYPICAL ILLUSTRATION

75010828

REV.  
A



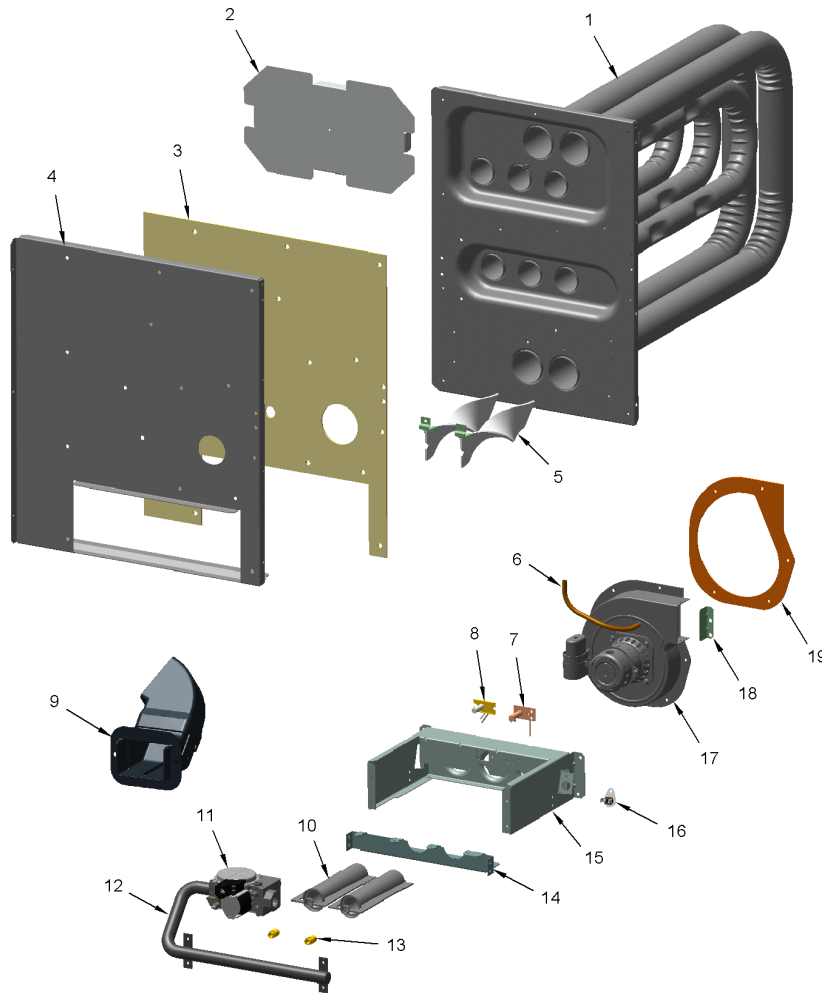
<b>Part No.</b>	<b>Reference No.</b>	<b>Quantity</b>	<b>Description</b>
SCR01510	*	12	SCREW; 10-16 AB HXW 1/2 SN
SCR02108	*	12	SCREW; SCR 10-16 AB HXW 5/8 S
COV03694	1	1	COVER; OUTDOOR, TOP, 48.61 X 41.08
PNL22002	2	4	PANEL; CORNER POST, 13.84 H
GRD01907	3	4	GUARD; BUMPER, UPPER CORNER, 12.81 H X 6.83 W
PNL23824	4	2	PANEL; PLASTIC LOUVER, 43.40 X 13.40 - INCLUDES SPEED NUTS AND MOUNTING BRACKETS.
PNL23823	5	2	PANEL; PLASTIC LOUVER, 35.86 X 13.40 - INCLUDES SPEED NUTS AND MOUNTING BRACKETS.
SUP05919	6	3	SUPPORT; OUTDOOR COIL, 3.0 DIA, WITH GASKET
TUB12284	7	3	TUBE; SUPPORT, TOP PIPE, .75 DIA, SCHEDULE 40 GREY PVC, 14.46 INCHES
SUP05918	8	3	SUPPORT; OUTDOOR COIL, 3.0 DIA, WITH GASKET

HEAT

75010755

REV.  
A

TYPICAL ILLUSTRATION



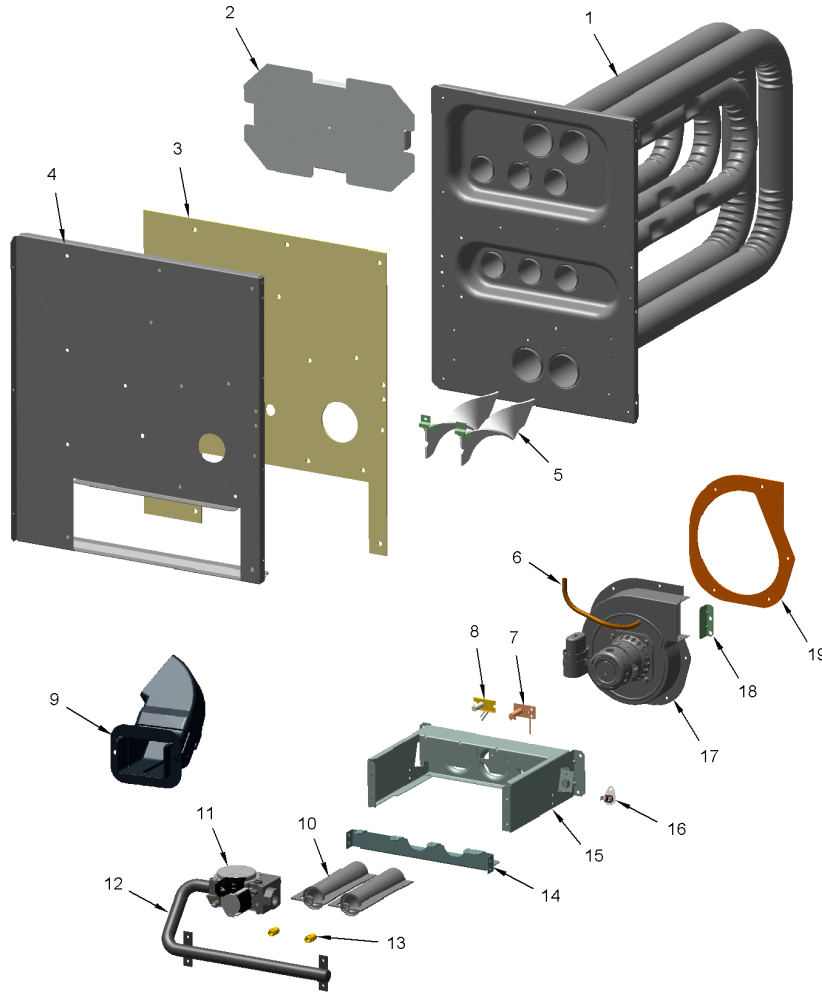
Part No.	Reference No.	Quantity	Description
75010755_4DCY4UP6_293787~P	*		HEAT PARTS LIST

HEAT

75010755

REV  
A

TYPICAL ILLUSTRATION



Part No.	Reference No.	Quantity	Description
EXC02602	1	1	EXCHANGER; HEAT
SHD00398	2	1	SHIELD; HEAT, STAINLESS STEEL, 12.77 X 7.32
GKT04063	3	1	GASKET; COLLECTOR BOX, 20.96 X 14.82
BOF01930	4	1	BLOCKOFF; BARRIER-GAS HEAT, 21.16 X 18.30
BRK03603	5	2	BRACKET; TURBULATOR
SCR00998	5	2	SCREW; 10-16 B HXW 1/2 S
TRB00121	5	2	TURBULATOR; AND BRACKET ASSEMBLY
TUB05375	6	1	TUBE; CONNECTING PRESSURE SW, 3/16 ID X 9 IN LENGTH
SEN00297	7	1	SENSOR; FLAME
IGN00135	8	1	IGNITER; ELECTRODE, 22 INCH LEAD
HOD00519	9	1	HOOD; ASSEMBLY, FLUE
BNR01071	10	2	BURNER; 0.60 ID INSHOT BURNER, 0.036 THK 304 STAINLESS STEEL
VAL09034	11	1	VALVE; GAS, 2 STAGE, 1/2-14 NPT, 24V, 50/60 HZ, "J" SERIES
MFD01335	12	1	MANIFOLD; ASSEMBLY-GAS, INCLUDES (2) ORF01334
ORF01334	13	2	ORIFICE; SPUD, #33, .113 DIA GREEN
RTR00984	14	1	RETAINER; BURNER, 10.65 L
BRK04541	15	1	BRACKET; BURNER
SWT02945	16	1	SWITCH; TEMP, 200 OPEN/CLOSE MANUAL, 25 AMP AT 240V, 125V PILOT DUTY, STAINLESS STEEL
BLW01378	17	1	BLOWER; INDUCER, 208-230/60/1, 3175 RPM, 2 MFD CPT AT 370 VAC, DOES NOT INCLUDE GKT04075.
RSR00215	18	1	RESTRICTOR; FLUE OUTLET
GKT04075	19	1	GASKET; INDUCER BLOWER



Part No.	Reference No.	Quantity	Description
75008692_4DCY4UP6_203220~P	*		MODEL NUMBER DESCRIPTION PARTS LIST



OPTIONAL EQUIPMENT

Parts List Number :75010835#4DCY4UP6

Model Number :4DCY4030D1070AA

Part No.	Reference No.	Quantity	Description
NGRAPHIC_4DCY4UP6_250039~ P	*		OPTIONAL EQUIPMENT PARTS LIST

NO GRAPHIC AVAILABLE

75013702

REV  
A

**NO  
GRAPHIC  
AVAILABLE**

Part No.	Reference No.	Quantity	Description
BAYACCDOR1A	*	1	KIT; ACCESS DOOR, 1-1/2 TO 3 TON MODELS (BAYACCDOR1AA)
BAYADAP050A	*	1	KIT; CURB ADAPTER (BAYADAP050AA)
BAYADAP051A	*	1	KIT; CURB ADAPTER (BAYADAP051AA)
BAYCCHT103A	*	1	KIT; CRANKCASE HEATER (BAYCCHT103A)
BAYCOVR112A	*	1	KIT; 12 INCH DUCT SHROUD COVERS HORIZONTAL (BAYCOVR112AA)
BAYCOVR118A	*	1	KIT; 18 INCH DUCT SHROUD COVERS HORIZONTAL (BAYCOVR118AA)
BAYCURB050A	*	1	KIT; FULL PERIMETER ROOF MOUNTING CURB (BAYCURB050AA)
BAYDMPR101A	*	1	KIT; OUTSIDE AIR, 2 POS DAMPER (BAYDMPR101AA)
BAYECON101A	*	1	ECONOMIZER; DOWN DISCHARGE, AND RAIN HOOD (BAYECON101AA)
BAYECON200A	*	1	ECONOMIZER; HORIZONTAL (BAYECON200AA)
BAYENTH001A	*	1	KIT; ENTHALPY CONTROL (BAYENTH001AB)
BAYEXMK001A	*	1	KIT; EXTREME CONDITION MOUNTING KIT, USED WITH BAYCURB
BAYEXMK002B	*	1	KIT; EXTREME CONDITION MOUNTING KIT, USED WITH BAYUTIL
BAYEXMK003A	*	1	KIT; EXTREME CONDITION MOUNTING KIT, SLAB MOUNTING
BAYFLTR101C	*	1	FILTER; FRAME, USE ONE 18 X 25 FILTER - NOT INCLUDED
BAYLIFT002B	*	1	KIT; LIFTING LUGS-BAYLIFT002B (CTN = 6 PIECES)
BAYLOAM105A	*	1	KIT; LOW AMBIENT COOLING, HEAD PRESSURE CONTROL (BAYLOAM105AA)
BAYLPKT102A	*	1	KIT; LP CONVERSION (BAYLPKT102AA)
BAYOSAH001A	*	1	KIT; OUTSIDE AIR, MANUAL DAMPER (BAYOSAH001AA)
BAYQSTK301A	*	1	KIT; QUICK START (BAYQSTK301AA)
BAYRLAY004A	*	1	RELAY; KIT (BAYRLAY004AA)
BAYSQRD001A	*	1	KIT; SQUARE/ROUND DUCT ADAPTER (BAYSQRD001AB)
BAYUV101A	*	1	25 WATT UV LIGHT KIT FOR SMALL PACKAGED UNITS
KIT15325	*	1	KIT; SQUARE/ROUND DUCT ADAPTER (BAYUTIL101BA)
KIT15403	*	1	KIT; ECONOMIZER, HINGED FILTER ACCESS DOOR AND FILTER FRAME (BAYECONCOMB101A)
THT00839	*	1	THERMOSTAT; REMOTE POTENTIOMETER, 60-90 DEG F (BAYSTAT023AA)
TMR00140	*	1	TIMER; ANTISHORT CYCLE (BAYASCT001)