

General Assembly

75008387

REV  
A

Typical illustration. Unit may not appear exactly as shown.



<b>Part No.</b>	<b>Reference No.</b>	<b>Quantity</b>	<b>Description</b>
75008387_4DCY4UP5_148488~P	*		4DCY4UP5 PARTS LIST
75008694#4DCY4UP5~S	*		BLOWER
75008397#4DCY4UP5~S	*		CABINET
75008707#4DCY4UP5~S	*		CONTROLS
75005599#4DCY4UP5~S	*		FAN
75008400#4DCY4UP5~S	*		HEAT
75008692#4DCY4UP5~S	*		MODEL NOMENCLATURE
NGRAPHIC#4DCY4UP5~S	*		OPTIONAL FIELD INSTALLED ACCESSORIES
75008375#4DCY4UP5~S	*		REFRIGERATION

General Assembly

75008387

REV  
A

Typical illustration. Unit may not appear exactly as shown.

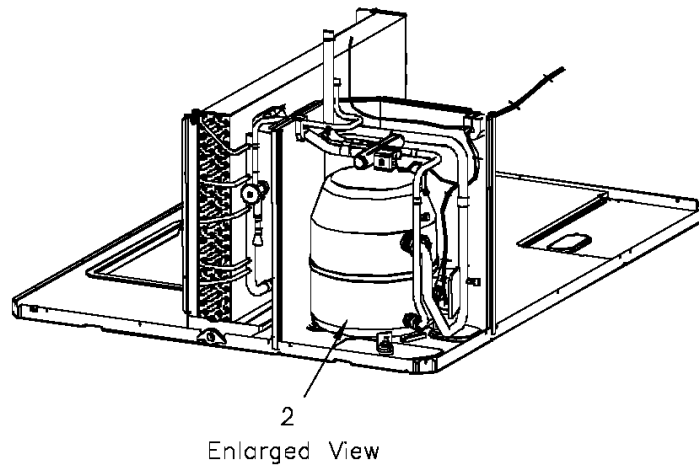
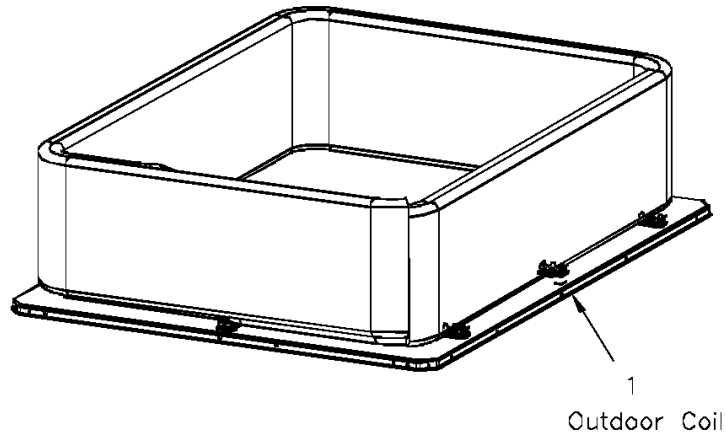


Refrigeration

75008375

REV  
A

Typical illustration. Unit may not appear exactly as shown.



## REFRIGERATION

Parts List Number :75008387#4DCY4UP5

Model Number :4DCY4024A1064BA

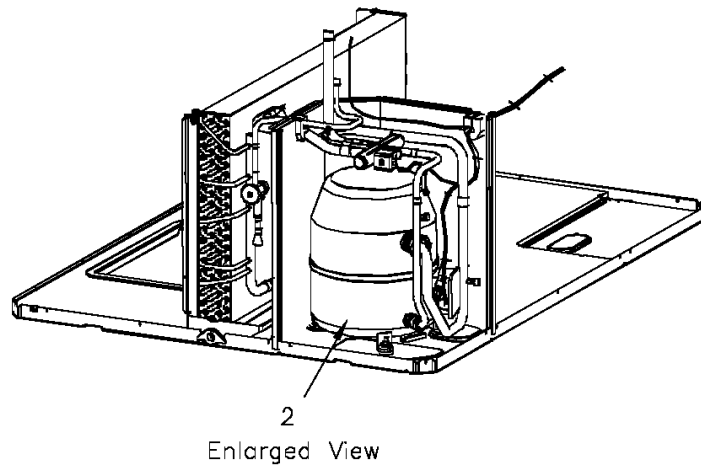
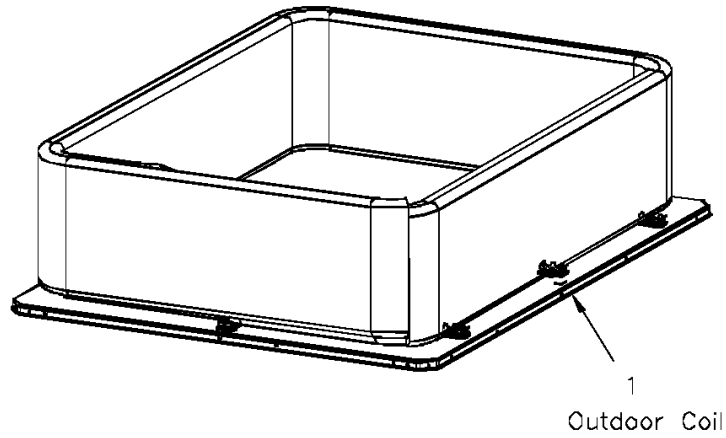
<b>Part No.</b>	<b>Reference No.</b>	<b>Quantity</b>	<b>Description</b>
75009730#4DCY4UP5~S	*		ENLARGED VIEW
75008354#4DCY4UP5~S	*		OUTDOOR COIL
75008375_4DCY4UP5_355361~P	*		REFRIGERATION PARTS LIST

Refrigeration

75008375

REV  
A

Typical illustration. Unit may not appear exactly as shown.

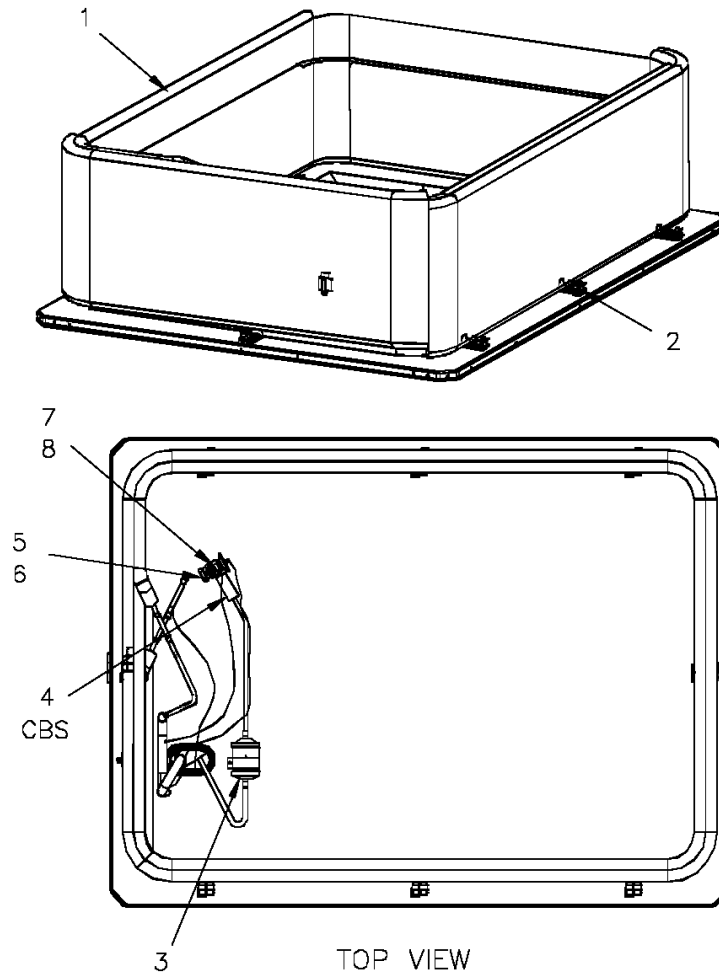


Outdoor Coil

75008354

REV  
A

Typical illustration. Unit may not appear exactly as shown.



OUTDOOR COIL

Parts List Number :75008387#4DCY4UP5

Model Number :4DCY4024A1064BA

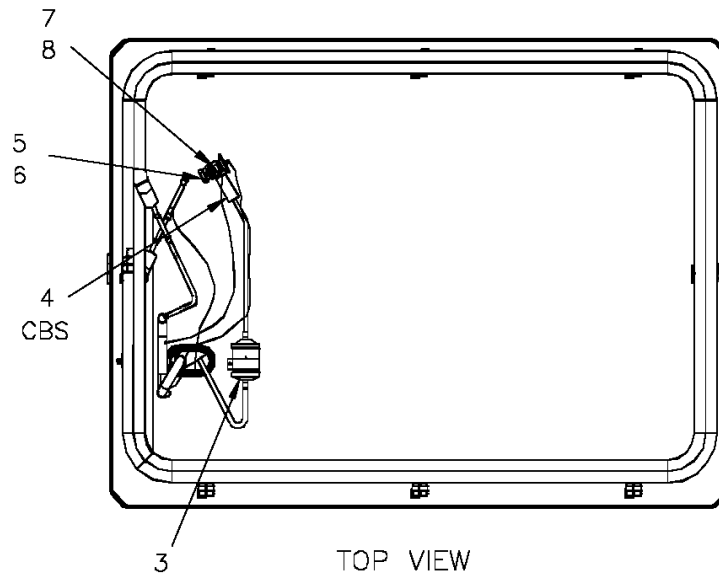
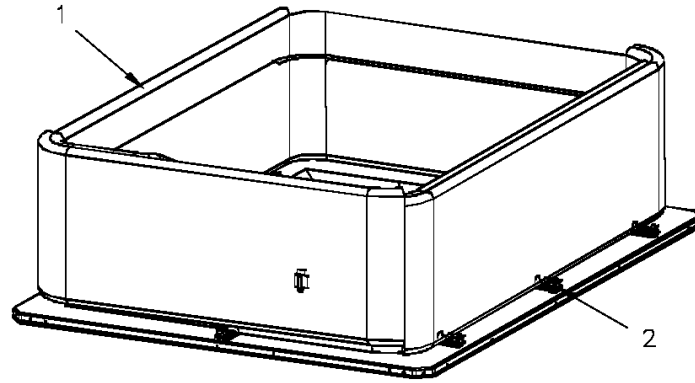
Part No.	Reference No.	Quantity	Description
75008354_4DCY4UP5_355362~P	*		OUTDOOR COIL PARTS LIST

Outdoor Coil

75008354

REV  
A

Typical illustration. Unit may not appear exactly as shown.



Part No.	Reference No.	Quantity	Description
COL14501	1	1	COIL; OUTDOOR, SPINE FIN
SPC00391	2	8	SPACER; OUTDOOR COIL, 2.50 X 1.31. INCLUDES GASKET.
DHY01450	3	1	DRIER; BI-FLOW; SERVICE FIRST; 5 CU. IN; DCB053S, 3/8 ODF CONNECTIONS; APPROVED FOR MINERAL OIL AND POE OIL REFRIGERANTS; MANUFACTURED FOR TRANE BY DA
SEN01370	4	1	SENSOR; ASSEMBLY, 9.75 K RESISTANCE OHMS AT 75 DEG F, YELLOW WIRES, 73 IN AND 75 IN
TUB11952	5	1	TUBE; ASSEMBLY, OUTDOOR FLOW CONTROL, R410A
VAL08844	6	1	VALVE; EXPANSION, 1 TON, 3/8" INLET X 1/2" OUTLET, 93/89 PSIG, R410A
TUB11603	7	1	TUBE; ASSEMBLY, OUTDOOR DISTRIBUTOR
DST00894	8	1	DISTRIBUTOR; 4 OUTLETS, 19 ODS, .50 ODM INLET, BRASS

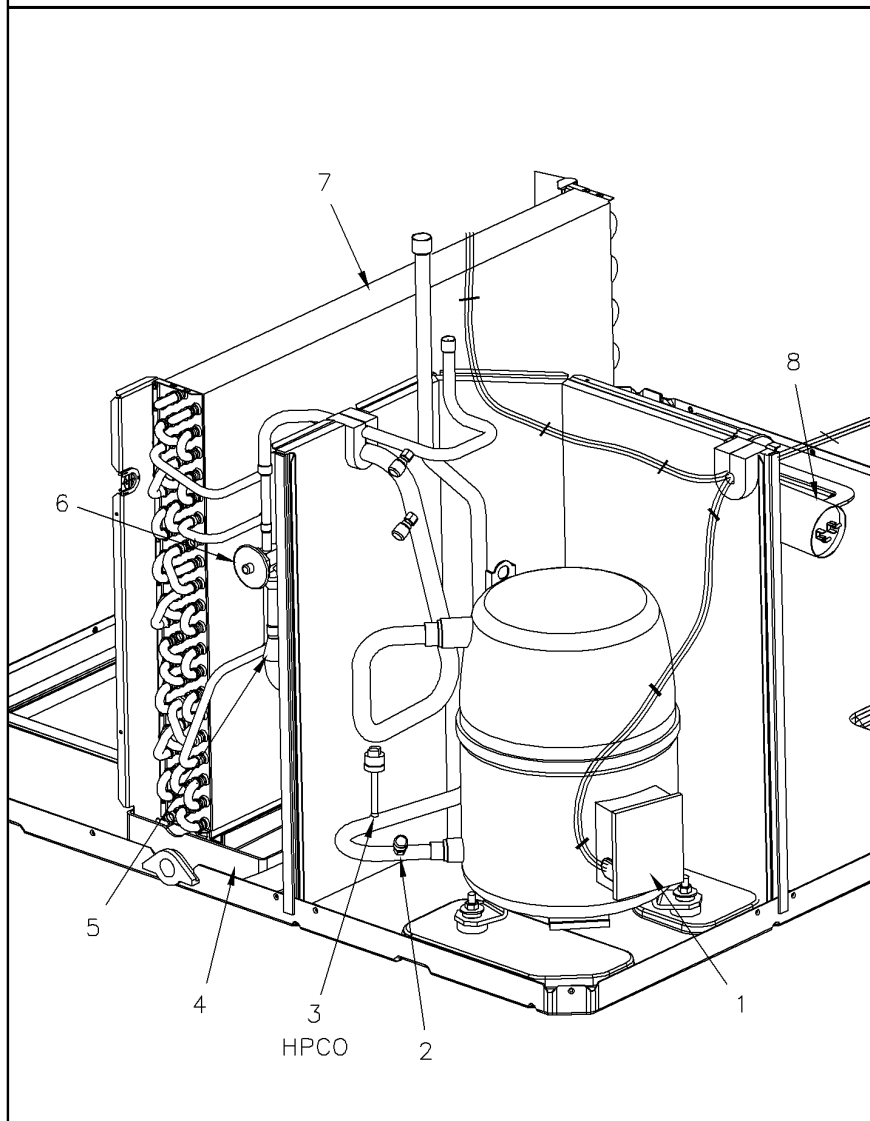
Refrigeration

75009730

REV  
A

enlarged view

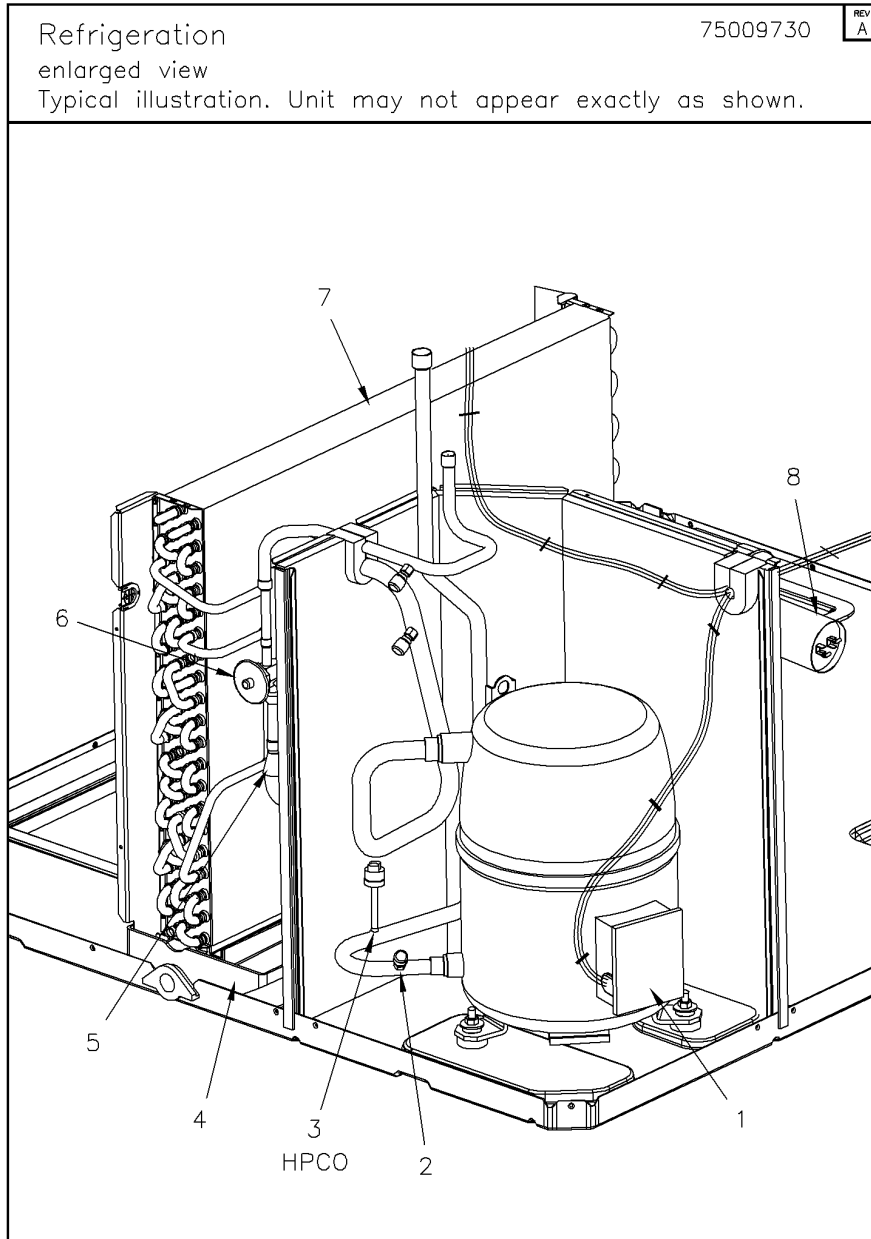
Typical illustration. Unit may not appear exactly as shown.



Parts List Number :75008387#4DCY4UP5

Model Number :4DCY4024A1064BA

Part No.	Reference No.	Quantity	Description
75009730_4DCY4UP5_355363~P	*		ENLARGED VIEW PARTS LIST



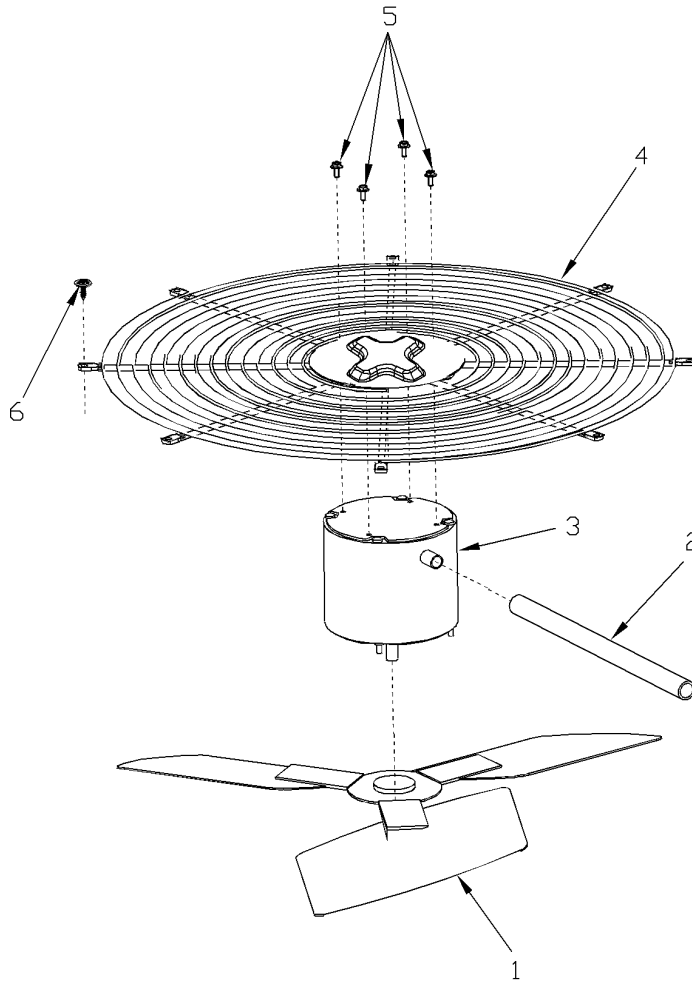
Part No.	Reference No.	Quantity	Description
BLT00809	*	3	BOLT; CARRIAGE, 5/16-18 X 1-3/4
BOD00114	*	3	BODY; VALVE, BRASS, 7/16 HEX, 7/16 -20 UNF-2A
GKT01820	*	3	GASKET; 3/4 OD X 7/16 ID X .06 THK
MNT00479	*	3	MOUNT; VIBRATION ISOLATOR, COMPRESSOR
NUT00355	*	3	NUT; HEX, LOCK, 5/16IN.-18
NUT00668	*	3	NUT; PALLET
SWT03693	*	1	SWITCH, LOW PRESSURE, OPEN @ 25 PSIG, CLOSE @ 45 PSIG, 69" LEADS
VAL08991	*	1	VALVE; SWITCHOVER, 3 TON, .50 IDF X .75 OD, W/ 24V SOLENOID COIL
WAS00638	*	3	WASHER; FLAT, 5/16 INCH
WIR04497	*	1	WIRE; HARNESS, RECIP COMPRESSOR
COM10346	1	1	COMPRESSOR; RECIP, DP19A-YZ1-JB, 1.7 TON, 200-230/60/1, R410A, BRAZED-STUB TUBE
CAP00455	2	3	CAP; HUB, 7/16-20 STRAIGHT
COR00103	2	3	CORE; VALVE, .79 LENGTH, .206-36 UNS-1 MOD. THD
SWT03698	3	1	SWITCH; HIGH PRESSURE, SPST, OPEN @ 650 PSIG, CLOSE @ 500 PSIG, 74" LEADS
PAN02888	4	1	PAN; DRAIN, BLACK PVC, 29.58 X 7.75
DST00893	5	1	DISTRIBUTOR; 3 OUTLETS, 19 ODS, .50 ODM INLET, BRASS
TUB11598	5	1	TUBE; ASSEMBLY, INDOOR DISTRIBUTOR
TUB11950	6	1	TUBE; ASSEMBLY, INDOOR FLOW CONTROL, R410A
VAL08845	6	1	VALVE; EXPANSION, 2 TON, 3/8 INLET X 1/2 OUTLET, 93/89 PSIG, R410A
COL14498	7	1	COIL; INDOOR, FLAT FIN
CPT00977	8	1	CAPACITOR; DUAL, 35/5 MFD, 440V, ROUND, W/O RESISTOR

FAN

75005599

REV  
A

Typical Illustration. Unit may not appear exactly as shown.



Parts List Number :75008387#4DCY4UP5

Model Number :4DCY4024A1064BA

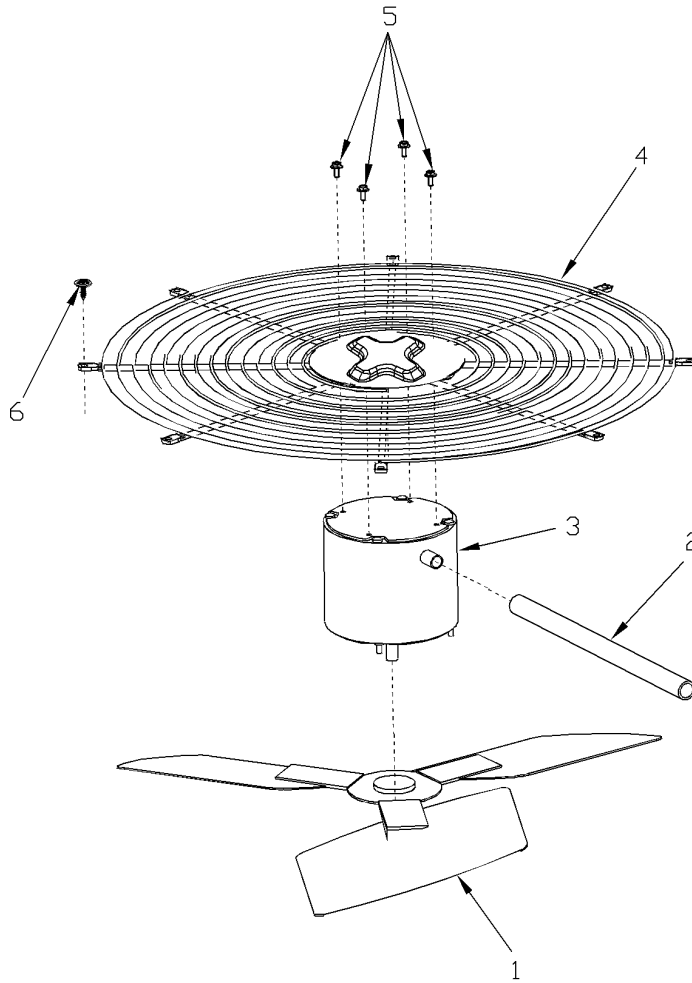
Part No.	Reference No.	Quantity	Description
75005599_4DCY4UP5_355360~P	*		FAN PARTS LIST

FAN

75005599

REV  
A

Typical Illustration. Unit may not appear exactly as shown.



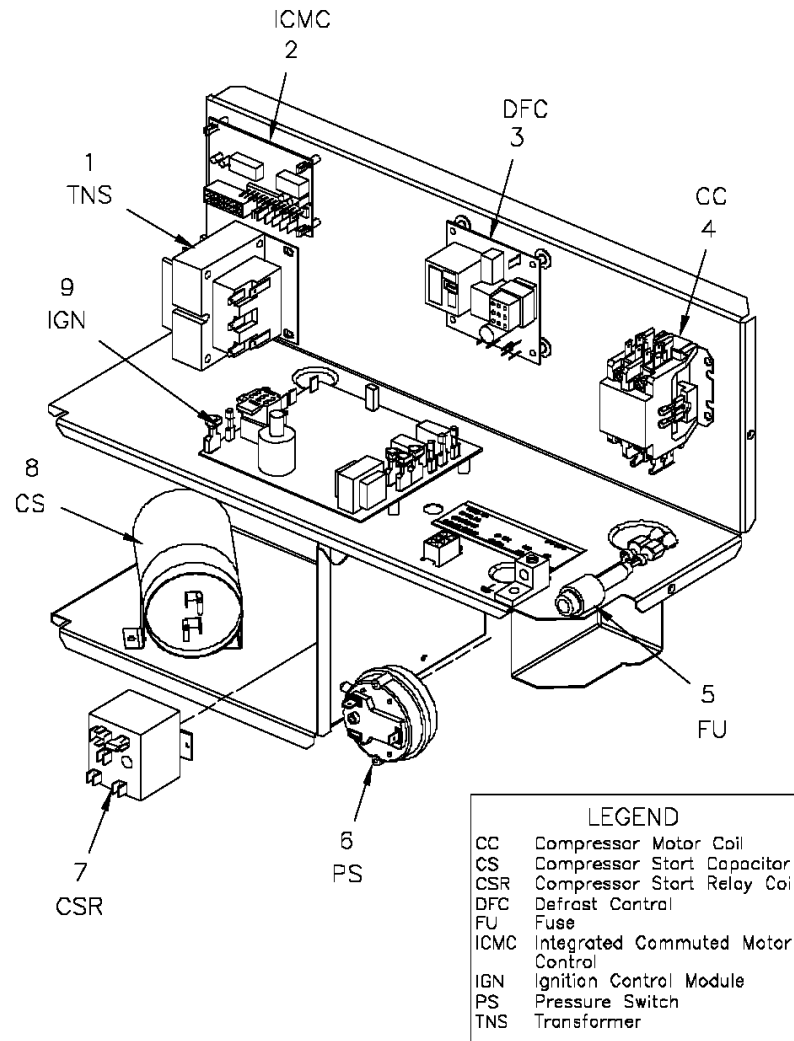
Part No.	Reference No.	Quantity	Description
FAN03860	1	1	FAN; SWEPT BLADE, 2 BLADE, ALUMINUM, 23.4" DIA, 22 DEGREES PITCH, .50" BORE, CCW, 1 SET SCREW-STEEL, FINISH/PAINT
GRD01633	2	1	GUARD; TROUGH-LEAD
MOT13831	3	1	MOTOR; OUTDOOR, 1/12 HP, 200-230/60/1, 810 RPM, TYPE PSC, CCW, SLEEVE BEARINGS, 5 MFD CPT AT 370V
GRL01529	4	1	GRILL; OUTDOOR FAN, 26.0 IN MOUNTING DIA
SCR02086	5	4	SCREW; 10-32 TR-3 HXW 3/8 S

Controls

75008707

REV  
A

Typical illustration. Unit may not appear exactly as shown.



Parts List Number :75008387#4DCY4UP5

Model Number :4DCY4024A1064BA

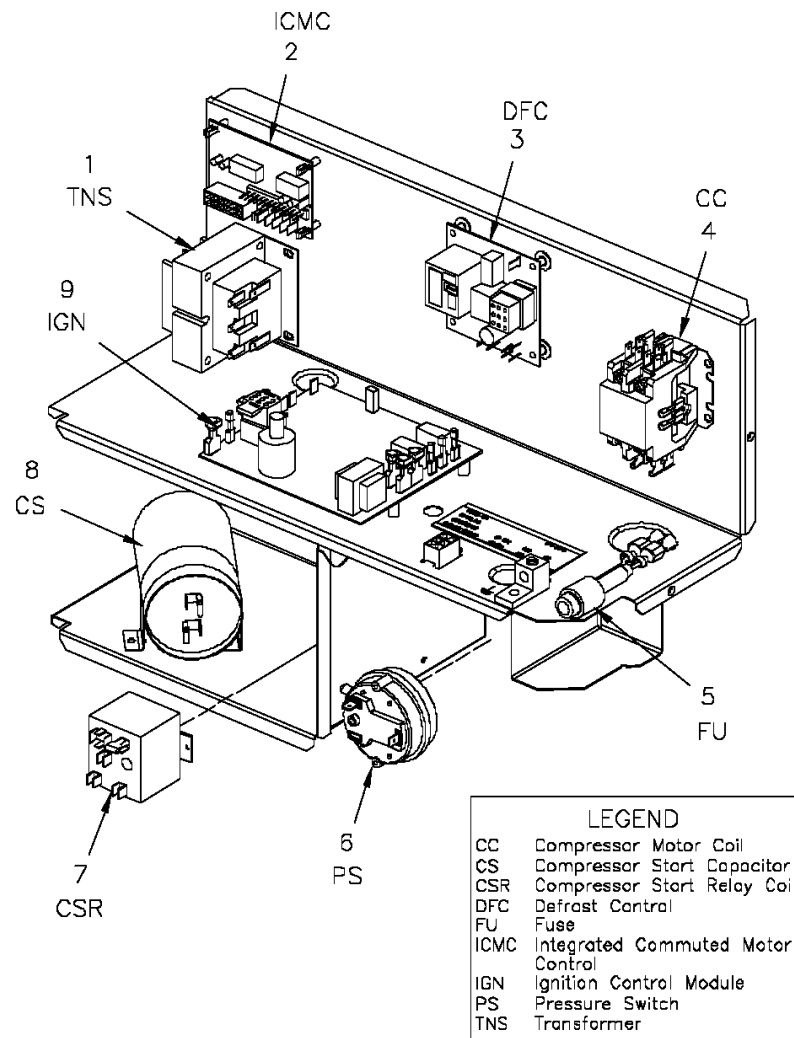
Part No.	Reference No.	Quantity	Description
75008707_4DCY4UP5_355368-P	*		CONTROLS PARTS LIST

Controls

75008707

REV  
A

Typical illustration. Unit may not appear exactly as shown.



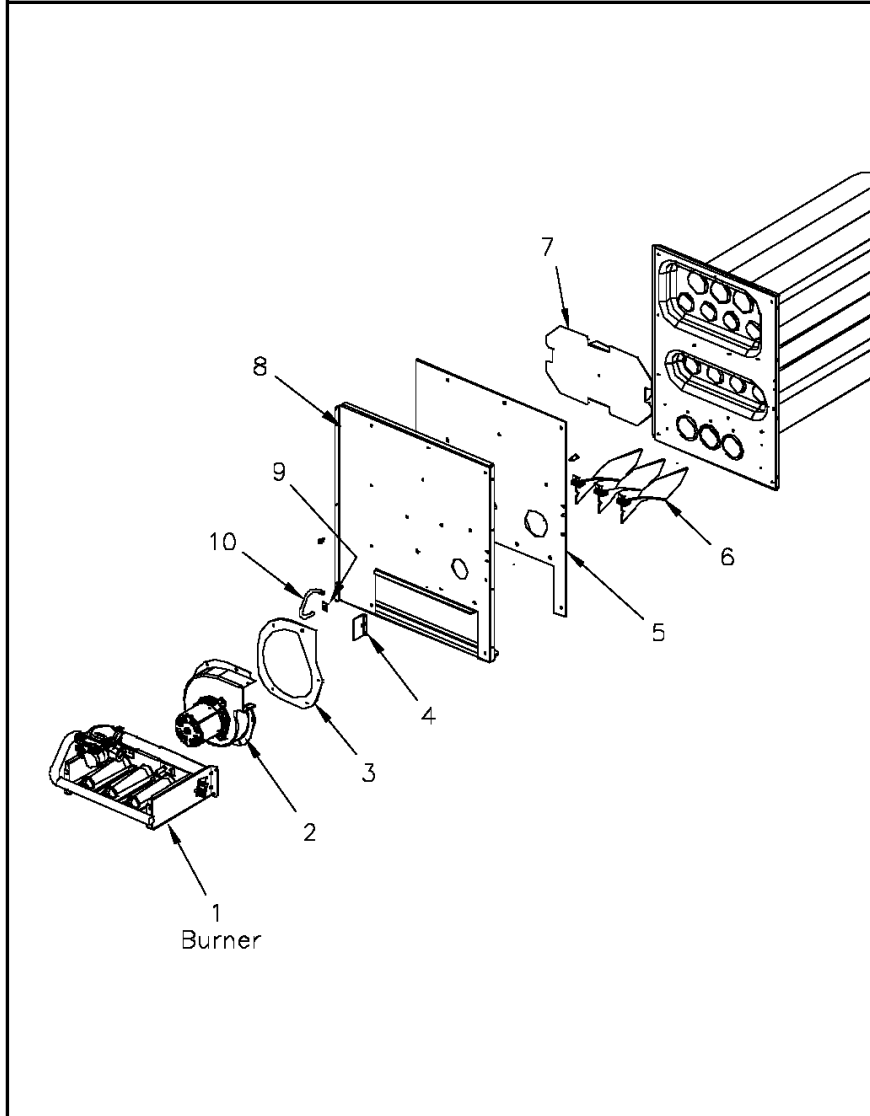
Part No.	Reference No.	Quantity	Description
LUG00014	*	1	LUG, GROUND
SEN01510	*	1	SENSOR; ASSEMBLY-AMBIENT, 83/85 IN LENGTH WIRES
WIR04491	*	1	WIRE; HARNESS, START KIT, RD-BK-BR,OR WIRES
TRR01558	1	1	TRANSFORMER; 75VA, 200/230V PRI, 24V SEC, QUICK CONNECTS
CNT03600	2	1	CONTROL; ICM FAN, PWB, 16 PIN
CNT04695	3	1	CONTROL; DEFROST (USE ON FT. SMITH PRODUCTS ONLY)
CTR01333	4	1	CONTACTOR; 2 POLE, NO, 40 FLA AT 240V, 50/60 HZ, 50 RES AMPS, 24V COIL, 40 FLA AT 277/480/600V
FUS01776	5	1	FUSE; 3.2 AMP, WITH HOLDER AND QUICK CONNECTS
CNT05641	6	1	CONTROL; AIR PRESSURE, SPST, 28VA PILOT DUTY AT 24 VAC, 125VA PILOT DUTY AT 125VAC, SNAP ACTING CONTACTS, OPERATING TEMP RANGE: -40 TO 190F
RLY03043	7	1	RELAY; START, SPST, 50A COIL, 204V PICK UP, 150V DROP OUT
CPT00091	8	1	CAPACITOR; START, 135-155 MFD, 330V, ROUND, W/ RESISTOR
CNT05135	9	1	CONTROL; DUAL STAGE, DIRECT SPARK IGNITION MODULE

Heat

75008400

REV  
A

Typical illustration. Unit may not appear exactly as shown.



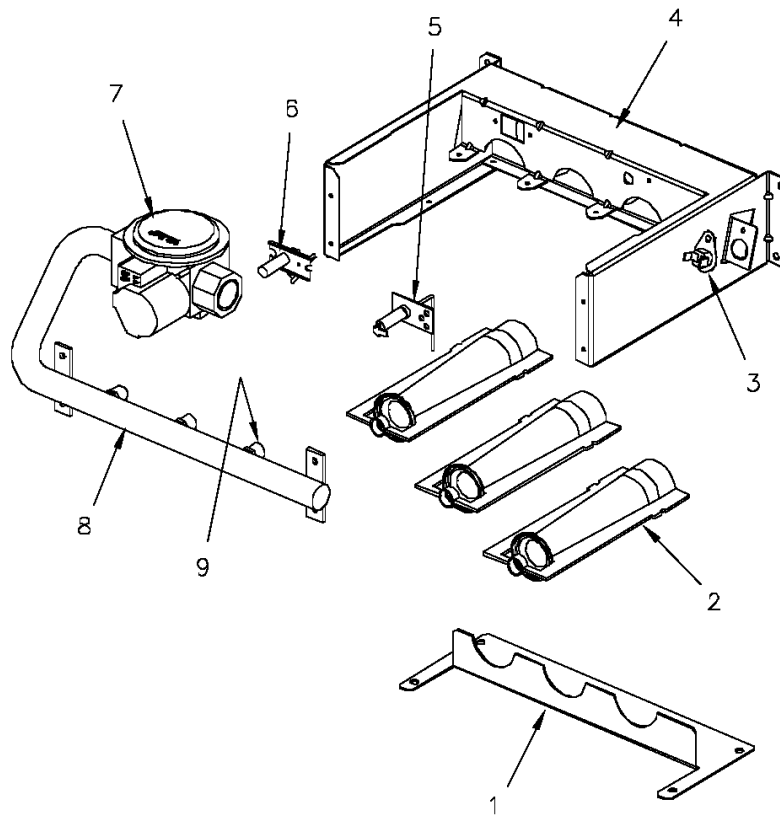
<b>Part No.</b>	<b>Reference No.</b>	<b>Quantity</b>	<b>Description</b>
75008704#4DCY4UP5~S	*		BURNER
75008400_4DCY4UP5_355365~P	*		HEAT PARTS LIST

Burner

75008704

REV  
A

Typical illustration. Unit may not appear exactly as shown.



Parts List Number :75008387#4DCY4UP5

Model Number :4DCY4024A1064BA

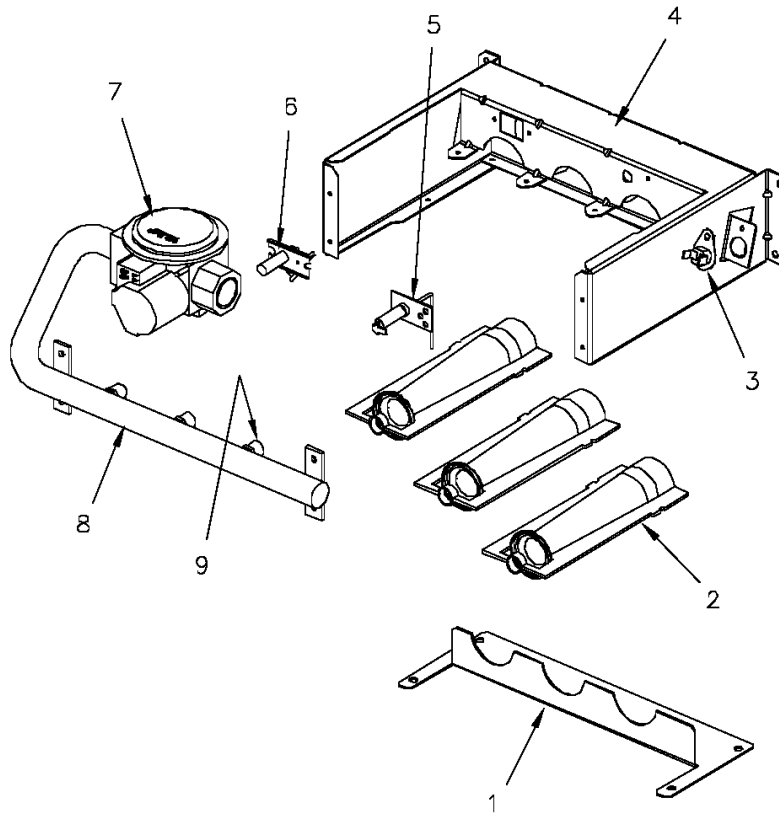
Part No.	Reference No.	Quantity	Description
75008704_4DCY4UP5_355366~P	*		BURNER PARTS LIST

Burner

75008704

REV  
A

Typical illustration. Unit may not appear exactly as shown.



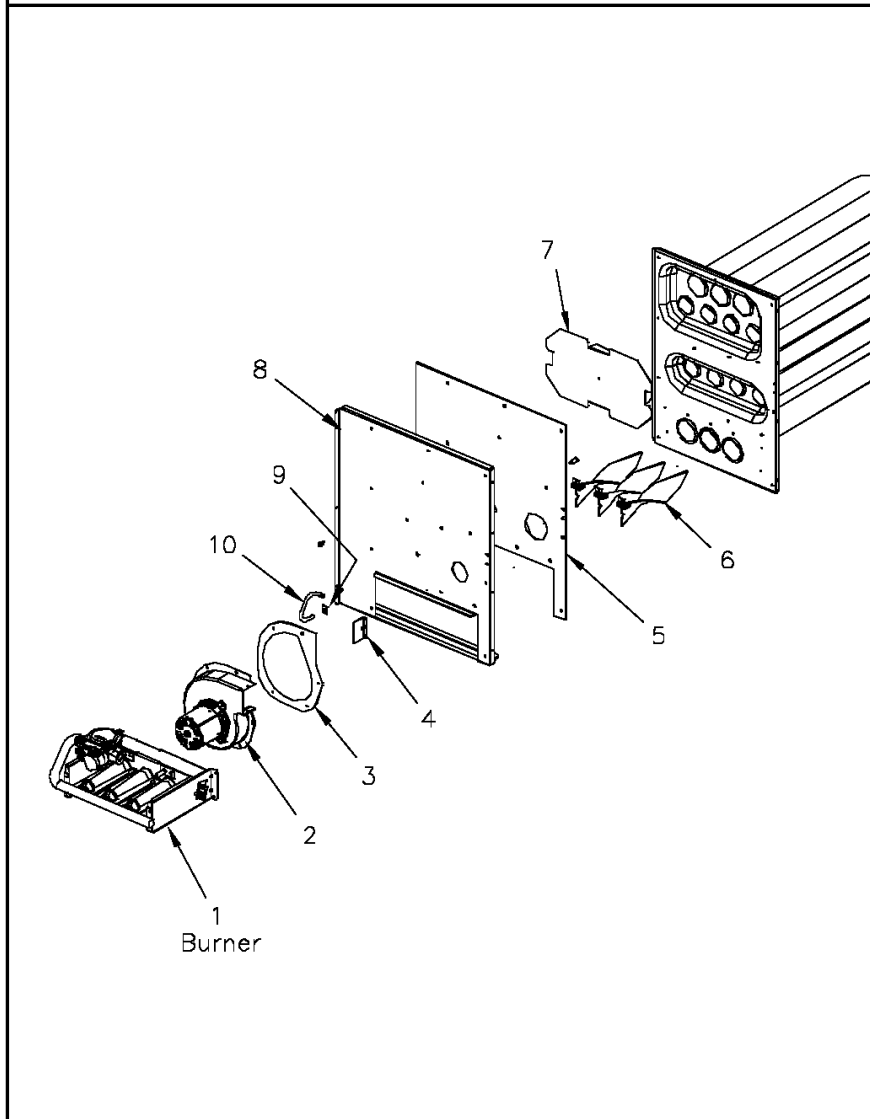
<b>Part No.</b>	<b>Reference No.</b>	<b>Quantity</b>	<b>Description</b>
RTR00832	1	1	RETAINER; BURNER, 10.53 L
BNR01071	2	2	BURNER; 0.60 ID INSHOT BURNER, 0.036 THK 304 STAINLESS STEEL
SWT02945	3	1	SWITCH; TEMP, 200 OPEN/CLOSE MANUAL, 25 AMP AT 240V, 125V PILOT DUTY, STAINLESS STEEL
BRK03605	4	1	BRACKET; BURNER
SEN00297	5	1	SENSOR; FLAME
IGN00135	6	1	IGNITER; ELECTRODE, 22 INCH LEAD
VAL09034	7	1	VALVE; GAS, 2 STAGE, 1/2-14 NPT, 24V, 50/60 HZ, "J" SERIES
MFD01336	8	1	MANIFOLD; ASSEMBLY-GAS, INCLUDES (2) ORF01406
ORF01406	9	2	ORIFICE; GAS, .1040 DIA, # 37 DRILL, SPUD

Heat

75008400

REV  
A

Typical illustration. Unit may not appear exactly as shown.



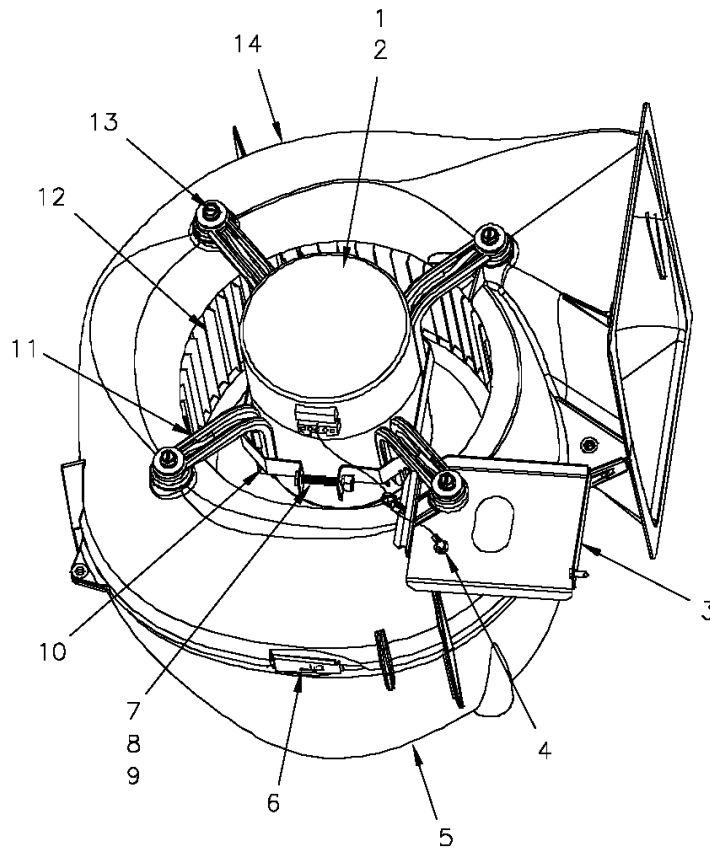
Part No.	Reference No.	Quantity	Description
BRK03603	*	3	BRACKET; TURBULATOR
EXC02005	*	1	EXCHANGER; HEAT
THT02654	*	1	THERMOSTAT; LIMIT SWITCH, OPEN AT 130F, CLOSE AT 110F
WEL00848	*	1	WELL; BULB, TAP, STATIC, 1.0 LENGTH X 0.50 OD X 0.281 OD X 0.125 ID
BLW01311	2	1	BLOWER; INDUCER, 208-230/60/1, 2800/1500 RPM, 1/39 HP, 0.25 AMPS, 2 MFD CPT AT 370 VAC, 3 PIN CONNECTOR, INCLUDES GKT04075.
GKT04075	3	1	GASKET; INDUCER BLOWER
RSR00206	4	1	RESTRICTOR; FLUE OUTLET
GKT04063	5	1	GASKET; COLLECTOR BOX, 20.96 X 14.82
TRB00121	6	2	TURBULATOR; AND BRACKET ASSEMBLY
SHD00398	7	1	SHIELD; HEAT, STAINLESS STEEL, 12.77 X 7.32
BOF01930	8	1	BLOCKOFF; BARRIER-GAS HEAT, 21.16 X 18.30
CLP00940	9	1	CLIP; STATIC, RETAINER, .80 X .56 X .022
TUB05375	10	1	TUBE; CONNECTING PRESSURE SW, 3/16 ID X 9 IN LENGTH

Blower

75008694

REV  
A

Typical illustration. Unit may not appear exactly as shown.



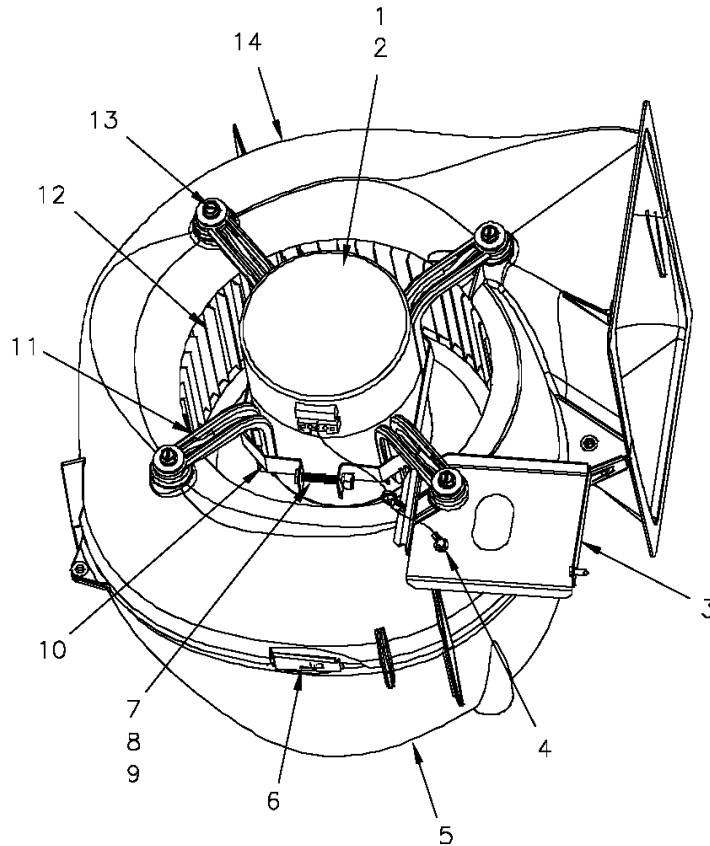
Part No.	Reference No.	Quantity	Description
75008694_4DCY4UP5_355367~P	*		BLOWER PARTS LIST

Blower

75008694

REV  
A

Typical illustration. Unit may not appear exactly as shown.



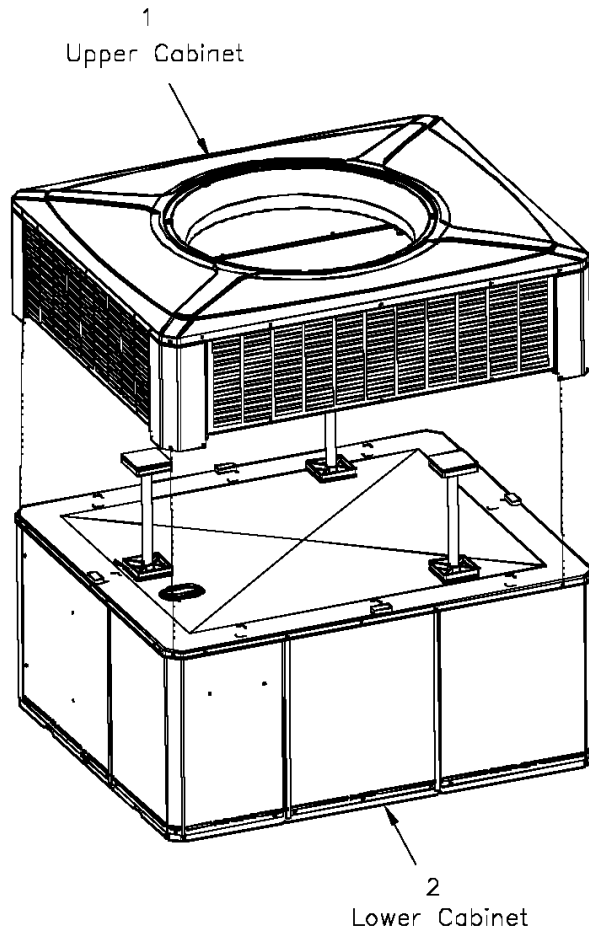
Part No.	Reference No.	Quantity	Description
BLW01005	*	1	BLOWER; ASSEMBLY, COMPLETE
MOD01572	1	1	MODULE; ELECTRONIC MOTOR CONTROL, VARIABLE SPEED PROGRAMMED
MOT12618	2	1	MOTOR; ECM VS MOTOR MODULE SET; 1/2 HP; 115/230 VOLTAGE; PROGRAMMED
BRK03542	3	1	BRACKET; BLOWER RETAINER, 4.32 X 3.45
SCR00968	4	1	SCREW; 10-16 HEX WASHER, TYPE B, THREAD FORMING SCREW, 0.31 THREAD LENGTH, STEEL W/ZINC FINISH
HUS03804	5	1	HOUSING; BLOWER LEFT SIDE WITH 4 MOUNTING HOLES, MOLDED GLASS FIBER POLYESTER, COLOR: NATURAL
CLP01088	6	4	CLIP; CLEAT-BLOWER
SCR01584	7	1	BOLT; 1/4-20 MA HX 1.5 S
NUT00487	8	1	NUT; STEEL HEX, 1/4-20
WAS00646	9	1	WASHER; STEEL SPRING LOCK, 1/4 INCH
BND00026	10	1	BAND; MOTOR MOUNT
BRK03396	11	4	BRACKET; ARM-MOTOR
WHL02558	12	1	WHEEL; BLOWER, 48 BLADES, CCW, CONCAVE DISC, 10.62 X 10.68
SCR02112	13	1	SCREW; ASSEMBLY-MOTOR MOUNT
HUS03805	14	1	HOUSING; BLOWER RIGHT SIDE WITHOUT MOUNTING HOLES, MOLDED GLASS FIBER POLYESTER, COLOR: NATURAL

Cabinet

75008397

REV  
A

Typical illustration. Unit may not appear exactly as shown.



View is determined by facing Appearance Nameplate

Parts List Number :75008387#4DCY4UP5

Model Number :4DCY4024A1064BA

<b>Part No.</b>	<b>Reference No.</b>	<b>Quantity</b>	<b>Description</b>
75008397_4DCY4UP5_148496~P	*		CABINET PARTS LIST
75008399#4DCY4UP5~S	*		LOWER CABINET
75008381#4DCY4UP5~S	*		UPPER CABINET

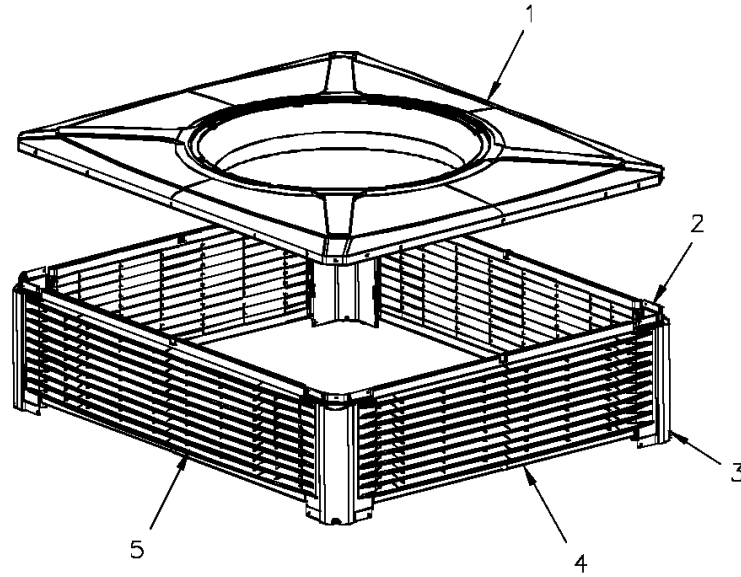
Cabinet

75008381

REV  
A

upper

Typical illustration. Unit may not appear exactly as shown.



Parts List Number :75008387#4DCY4UP5

Model Number :4DCY4024A1064BA

Part No.	Reference No.	Quantity	Description
75008381_4DCY4UP5_355364-P	*		UPPER CABINET PARTS LIST

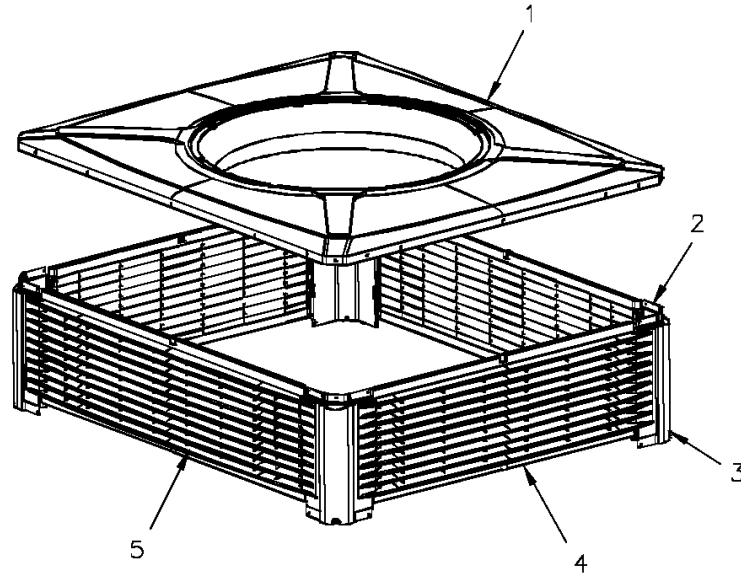
Cabinet

75008381

REV  
A

upper

Typical illustration. Unit may not appear exactly as shown.



Parts List Number :75008387#4DCY4UP5

Model Number :4DCY4024A1064BA

<b>Part No.</b>	<b>Reference No.</b>	<b>Quantity</b>	<b>Description</b>
BRK03610	*	16	BRACKET; PLASTIC LOUVER, 2.0 X .63 X .53
SUP05014	*	3	SUPPORT; OD COIL, BOTTOM, 4X4, INCLUDES GASKET
SUP05015	*	3	SUPPORT; OD COIL, TOP, 4X4, INCLUDES GASKET
TUB12006	*	3	TUBE; SUPPORT, TOP PIPE, .75 DIA, SCHEDULE 40 GREY PVC, 12.46 INCHES
COV03694	1	1	COVER; OUTDOOR, TOP, 48.61 X 41.08
PNL22001	2	4	PANEL; CORNER POST, 11.84 H
PNL22189	4	2	PANEL; PLASTIC LOUVER, 43.40 X 11.40 - INCLUDES SPEED NUTS AND MOUNTING BRACKETS.
PNL22185	5	2	PANEL; PLASTIC LOUVER, 35.86 X 11.40 - INCLUDES SPEED NUTS AND MOUNTING BRACKETS.

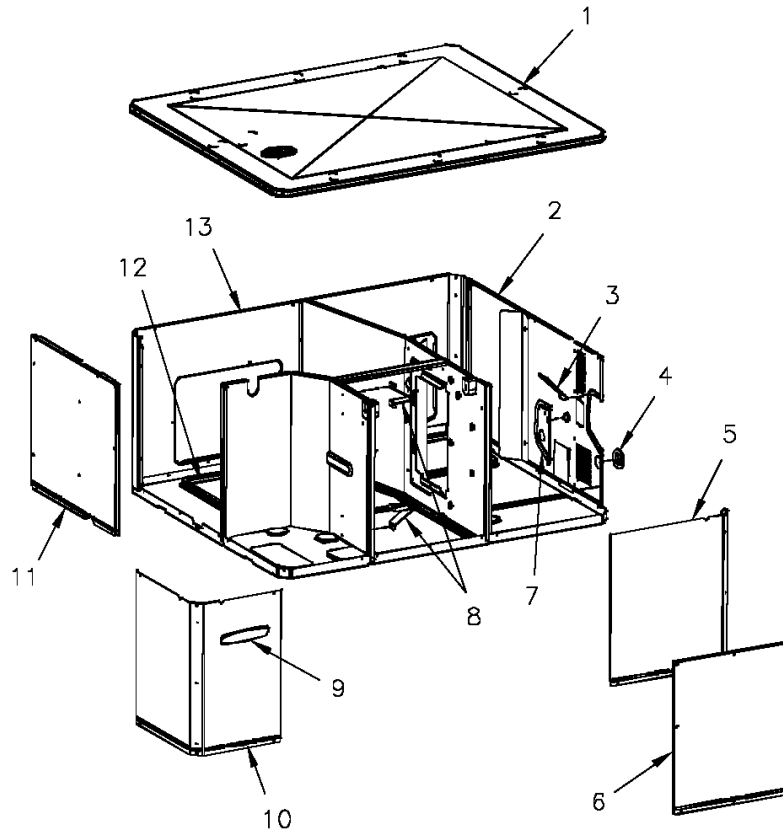
Cabinet

75008399

REV  
A

lower

Typical illustration. Unit may not appear exactly as shown.



View is determined by facing Appearance Nameplate

Parts List Number :75008387#4DCY4UP5

Model Number :4DCY4024A1064BA

Part No.	Reference No.	Quantity	Description
75008399_4DCY4UP5_334538-P	*		LOWER CABINET PARTS LIST

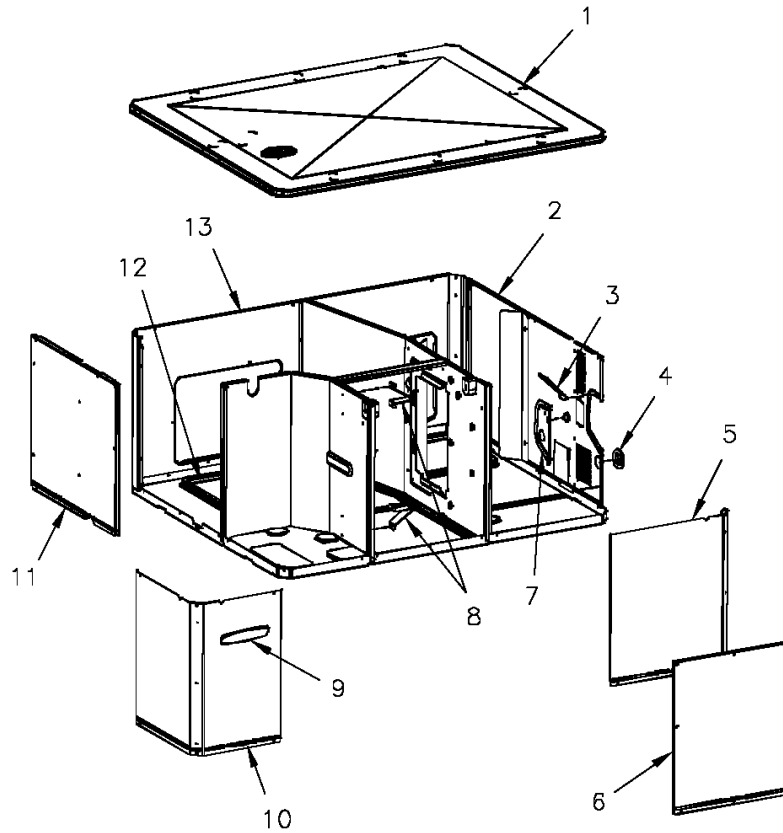
Cabinet

75008399

REV  
A

lower

Typical illustration. Unit may not appear exactly as shown.



View is determined by facing Appearance Nameplate

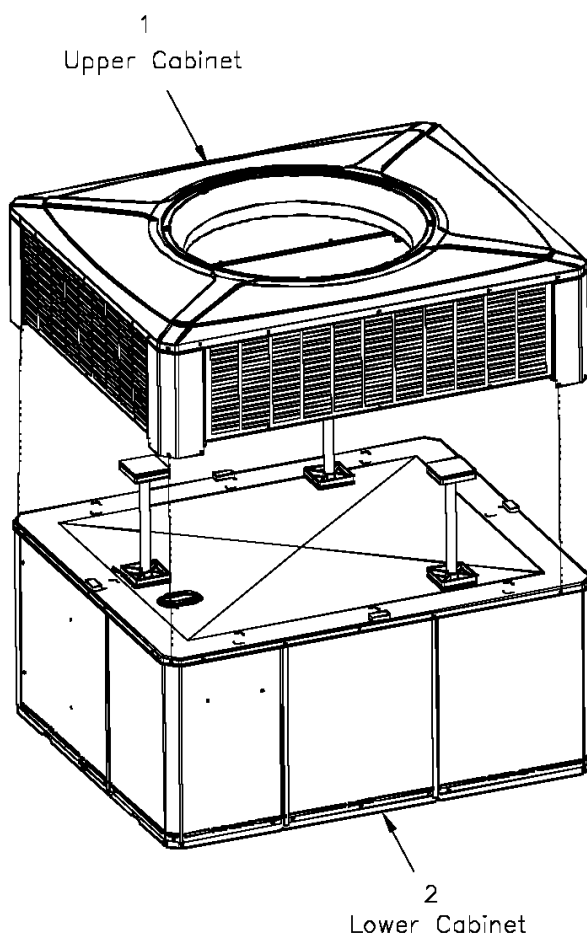
Part No.	Reference No.	Quantity	Description
BAF01248	*	1	BAFFLE; AIR, 18 IN HIGH
GRM00118	*	1	GROMMET; 3/16 IN ID, NEOPRENE
GRM00129	*	2	GROMMET; SCREW
HOD00519	*	1	HOOD; ASSEMBLY, FLUE
PNL26584	*	1	PANEL; BLOWER BARRIER, 41.05 X 21.15
PNL28755	*	1	PANEL; COMPRESSOR BARRIER, 27.22 W X 21.15 H
COV03696	1	1	COVER; INDOOR, TOP, 48.61 X 41.08
PNL22038	2	1	PANEL; GAS HEAT ACCESS, 36.00 X 20.91
SHD00397	3	1	SHIELD; LOUVER, TOP, 5.0 X 1.9
BUS00616	4	1	BUSHING; 1.62 DIA
PNL22000	5	1	PANEL; CONTROL/HEAT ACCESS, 17.93 X 20.70
PNL22013	6	1	PANEL; BLOWER ACCESS, 17.63 X 20.70
PNL22042	7	1	PANEL; GAS HEAT, 7.81 X 4.50
BRK03541	8	2	BRACKET; BLOWER SUPPORT, V-SHAPED, 3.13 X 2.75 X 1.50
PLT04289	9	1	PLATE; APPEARANCE, TRANE, XL14C, 9.0 X 1.8
PNL21998	10	1	PANEL; COMPRESSOR ACCESS, 20.7 X 12.7 & 20.7 X 15.5
PNL22039	11	1	PANEL; INDOOR COIL ACCESS, 22.42 X 20.70
COV03698	12	2	COVER; SUPPLY AND RETURN, 15.88 X 11.88
PNL22197	13	1	PANEL; SUPPLY AND RETURN, 48.41 X 20.88

Cabinet

75008397

REV  
A

Typical illustration. Unit may not appear exactly as shown.

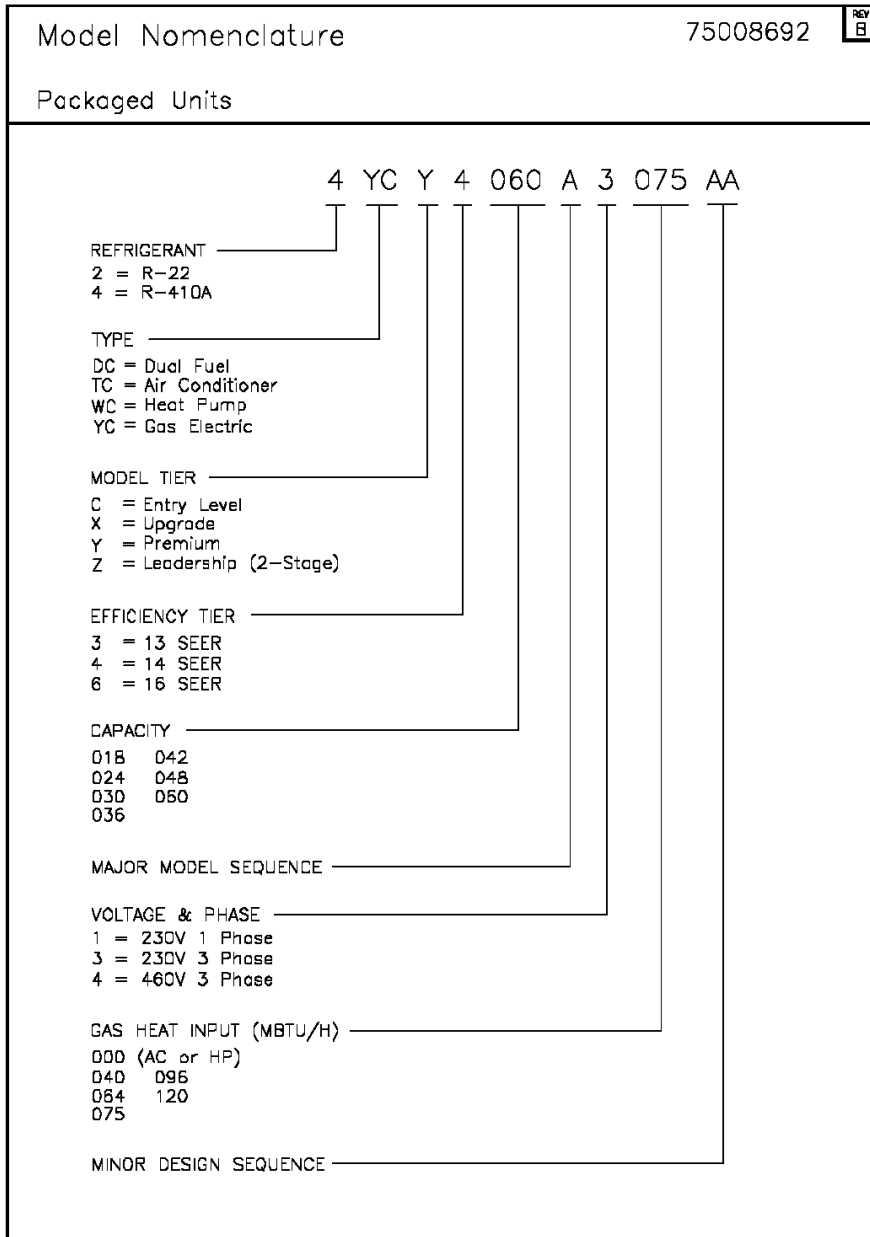


View is determined by facing Appearance Nameplate

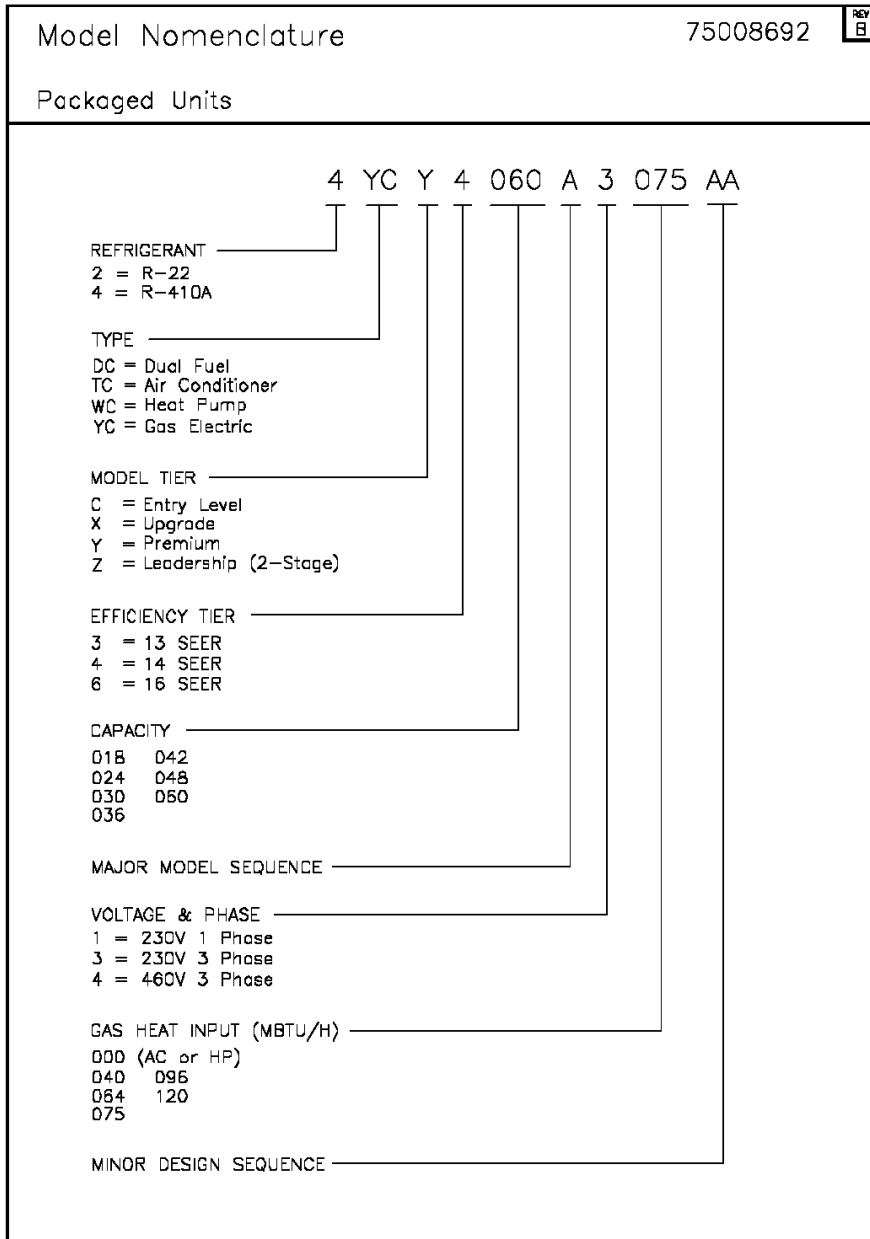
Parts List Number :75008387#4DCY4UP5

Model Number :4DCY4024A1064BA

Part No.	Reference No.	Quantity	Description
PAI00074	*	1	PAINT; SPRAY, SLATE GREY, FULL GLOSS(88) (SHIPPING UOM 12 OZ HAZ)



Part No.	Reference No.	Quantity	Description
75008692_4DCY4UP5_148504-P	*		MODEL NOMENCLATURE PARTS LIST



Parts List Number :75008387#4DCY4UP5

Model Number :4DCY4024A1064BA

Part No.	Reference No.	Quantity	Description
NGRAPHIC_4DCY4UP5_355369~ P	*		OPTIONAL FIELD INSTALLED ACCESSORIES PARTS LIST

NO GRAPHIC AVAILABLE

75013702

REV  
A

**NO  
GRAPHIC  
AVAILABLE**

Parts List Number :75008387#4DCY4UP5

Model Number :4DCY4024A1064BA

Part No.	Reference No.	Quantity	Description
BAYUV101A	*	1	25 WATT UV LIGHT KIT FOR SMALL PACKAGED UNITS
ECN00111	*	1	ECONOMIZER; DOWN DISCHARGE, AND RAIN HOOD (BAYECON101AA)
ECN00113	*	1	ECONOMIZER; HORIZONTAL (BAYECON200AA)
KIT03361	*	1	KIT; LIFTING LUGS-BAYLIFT002B (CTN = 6 PIECES)
KIT06658	*	1	KIT; ENTHALPY CONTROL (BAYENTH001AB)
KIT13551	*	1	KIT; CURB ADAPTER (BAYADAP050AA)
KIT13552	*	1	KIT; CURB ADAPTER (BAYADAP051AA)
KIT13556	*	1	KIT; CRANKCASE HEATER, 230V RECIP COMPRESSORS (BAYCCHT101AA)
KIT13559	*	1	KIT; 12 INCH DUCT SHROUD COVERS HORIZONTAL (BAYCOVR112AA)
KIT13561	*	1	KIT; FULL PERIMETER ROOF MOUNTING CURB (BAYCURB050AA)
KIT13563	*	1	KIT; OUTSIDE AIR, 2 POS DAMPER (BAYDMPR101AA)
KIT13565	*	1	KIT; EXTREME CURB MOUNTING (BAYEXMK001AA)
KIT13567	*	1	KIT; EXTREME CURB MOUNTING (BAYEXMK003AA)
KIT13569	*	1	KIT; LP CONVERSION (BAYLPKT101AA)
KIT13571	*	1	KIT; OUTSIDE AIR, MANUAL DAMPER (BAYOSAH001AA)
KIT13574	*	1	KIT; QUICK START (BAYQSTK301AA)
KIT13575	*	1	KIT; SQUARE/ROUND DUCT ADAPTER (BAYSQRD001AA)
KIT13640	*	1	KIT; LOW AMBIENT COOLING, HEAD PRESSURE CONTROL (BAYLOAM105AA)
KIT15096	*	1	KIT; FILTER FRAME (BAYFLTR101BA). USE ONE 20 X 25 FILTER - NOT INCLUDED.
KIT15141	*	1	KIT; ACCESS DOOR, 1-1/2 TO 3 TON MODELS (BAYACCDOR1AA)
KIT15323	*	1	KIT; EXTREME CURB MOUNTING (BAYEXMK002BA)
KIT15325	*	1	KIT; SQUARE/ROUND DUCT ADAPTER (BAYUTIL101BA)
KIT15403	*	1	KIT; ECONOMIZER, HINGED FILTER ACCESS DOOR AND FILTER FRAME (BAYECONCOMB101A)
RLY01652	*	1	RELAY; KIT (BAYRLAY004AA)
THT00839	*	1	THERMOSTAT; REMOTE POTENTIOMETER, 60-90 DEG F (BAYSTAT023AA)
TMR00140	*	1	TIMER; ANTISHORT CYCLE (BAYASCT001)